



'13 EX300 ADF

(Ninja 300)

Publications	A-2
Model Identification	A-4
Engine	B-1
Chassis.....	D-1

© Kawasaki Heavy Industries, Ltd. 2013

PARTS CATALOGUE

All information contained in this manual is based on the latest product information at the time of publication. Bajaj Auto Limited accepts no liability for any inaccuracies or omissions in this publication, although every possible care has been taken to make it as complete and accurate as possible. All procedures and specifications subject to change without prior notice. The right is reserved to make such changes at any time without prior notice and without incurring an obligation to make such changes to product manufactured previously. Contact your authorized Bajaj Dealer for the latest information on product improvements incorporated after this manual was issued.

Engine No. Location:
Upper crankcase, rear side

This catalog covers:
'13 EX300 ADF

GRID NO. **A-2** This grid covers:
Publications

Year & Model	Owner's Manual	A&P Manual		Service Manual		Microche
		General	Supplement	Basic	Supplement	
2013 EX300ADF						

This catalog covers:
'13 EX300 ADF

GRID NO.

A-3

This grid covers:

Parts List Information

PARTS LIST INFORMATION

This parts catalog lists parts and sub-assemblies provided as spare parts. When it becomes necessary to replace parts always use KAWASAKI GENUINE PARTS. Strict inspection assures quality and performance of KAWASAKI GENUINE PARTS.

1. HOW TO PLACE AN ORDER FOR PART

When ordering parts be sure to use the catalog for the correct model and year of the vehicle. Include the following items exactly as listed in this catalog on your parts order.

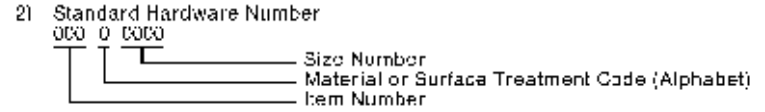
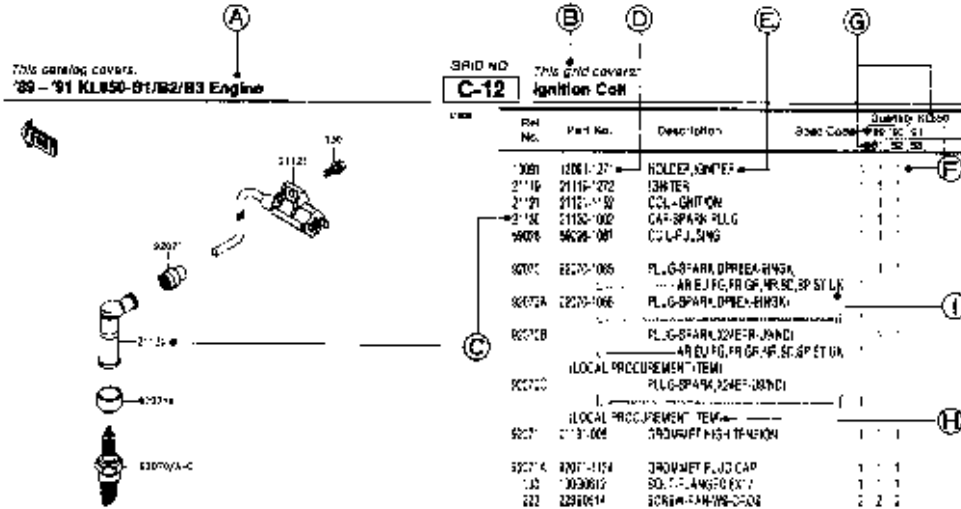
- Part Number
- Part Name
- Color Code

Specify the color using both color code (which is part of the part number) and name when ordering painted parts.

Example: 51001-5074-H8 TANK-COMP-FUEL_EBONY

Parts not shown disassembled in the illustrations of this parts catalog are not sold separately; only the complete units or next higher assemblies illustrated, are supplied, as spare parts.

2. EXPLANATION OF PARTS CATALOG FORMAT



- E. Description**
Describes the main function of the part and includes data such as size, number of teeth, color, etc.
List of Abbreviations

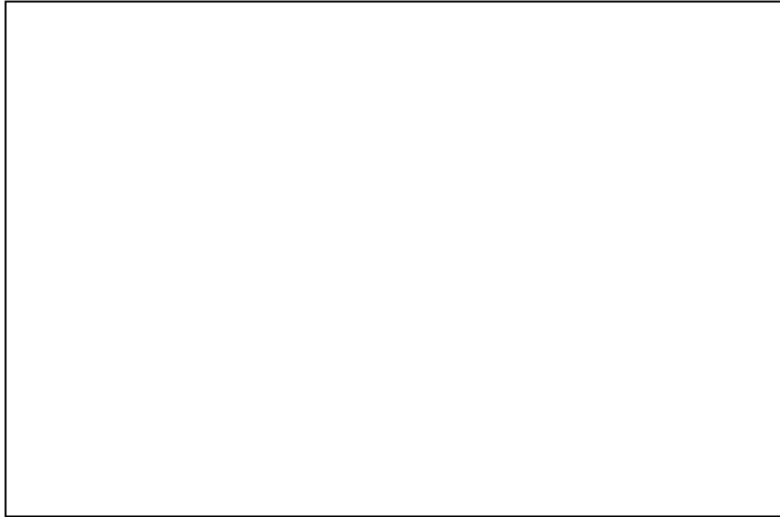
(+)	Plus	HEX	Hexagonal	REF	Reference
(-)	Minus	ID	Inside Diameter	RH	Right Hand
&	And	KPH	Kilometers Per Hour	RPM	Revolutions Per Minute
2ND	Second	L	Link	RR	Rear
3RD	Third	L	Length	STD	Standard
4TH	Fourth	L	Less	T	Teeth
AR	As Required	LH	Left Hand	T	Thickness
ASSY	Assembly	LWR	Lower	U/S	Under Size
CA	Cut Away	MM	Millimeter	UPP	Upper
CNT	Center	MPH	Miles Per Hour	V	Volt
COMP	Complete	NA	Not Available	W	Watt
D	Degree	O/S	Over Size	W/	With
FR	Front	OD	Outside Diameter	WD	With Decal
G	Gram	PR	Ply Rating	WOD	Without Decal
- F. Quantity**
Specifies LDDDH how many of a part are required at the indicated position on the illustration.
- G. Year & Model**
Indicates which parts are used for a specific vehicle year and model.
- H. Additional Information**
Additional Information is shown as follows:
 - (OPTION) Part is not installed as original equipment, but is available separately.
 - (RACING USE ONLY) Part is to be used for closed course racing only on this vehicle.
 - (OFF-ROAD USE ONLY) Part is for off-road use only this vehicle.
 - (LOCAL PROCUREMENT ITEM) Part is obtainable from a local source. No part number is listed.
 - Technical relationships between old part numbers and new part numbers are shown as follows:
 INTERCHANGE - Old part or new part can be used.
 SUBSTITUTE - New part replaces old part. Old part cannot be used in place of new part.
 - Mid-Year part number changes on a vehicle are noted by engine or frame number references.
 (- KZ400DE001181) Affected units are from beginning of model year production up to and including this engine number.
 (KZ400D-008111 -) Affected units are from this frame number to the end of model year production.
 (KZ400DE008181 - KZ400DE018888) Affected units are in this engine number range.
- I. Specification Code**
Identifies the specification of the vehicle for which the part applies. If no spec code is listed, that means the part is used for all specifications.

Spec Code	Specification	'13				
		ADF				
ID	India	O				

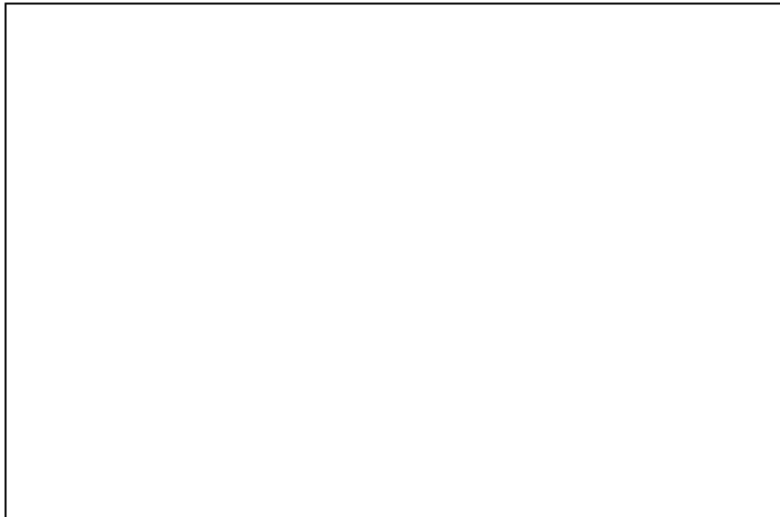
- A. Year & Model Title**
This title describes the year(s) and model(s) contained in this catalog.
- B. Part Group Title**
A representative name for the group of parts illustrated on this page.
- C. Reference Number**
The reference number is listed on the illustration and parts list. It is the link between the illustration and the parts list.
- D. Part Number**
The number assigned to a part for the purpose of parts ordering.
 1) Part Number (New Structure)
 00000 - 0000 - 00 or 00000 - 0000 - 000
 2) Part Number (Old Structure)
 00000 - 000 - 00
 Color Code
 Production Number
 Function Code

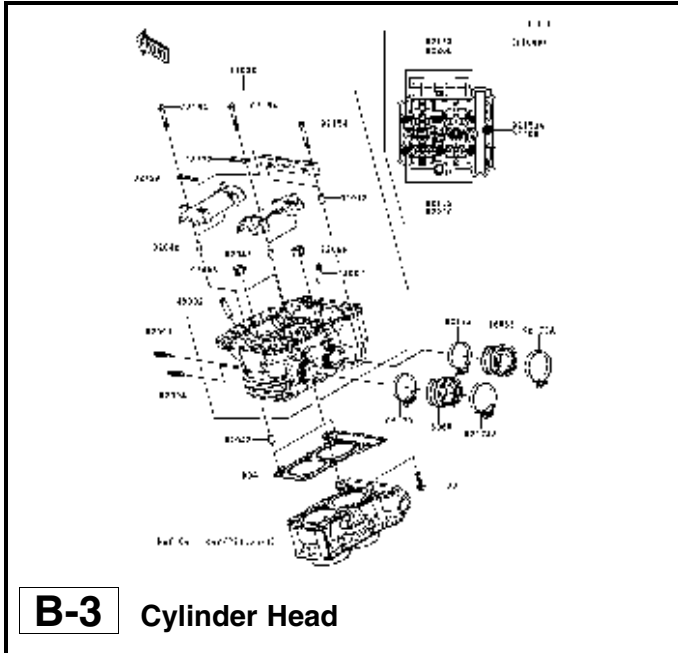
EX300ADF

Left Side View

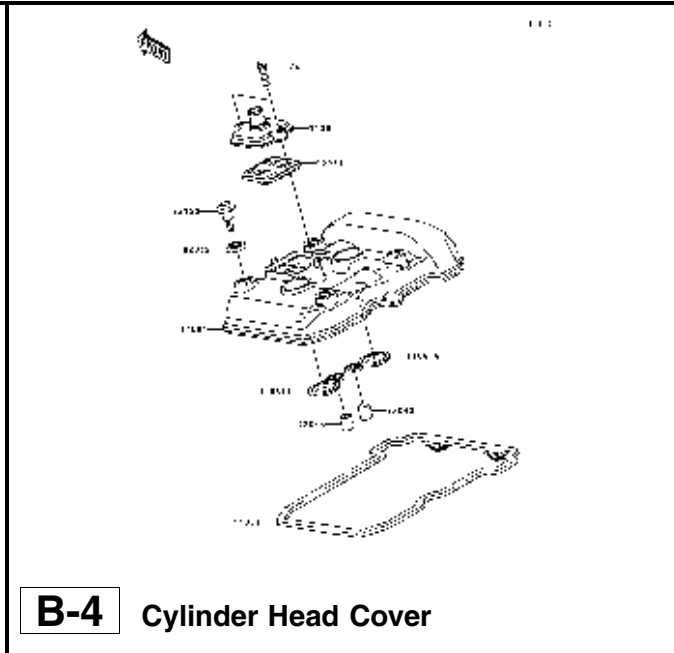


Right Side View

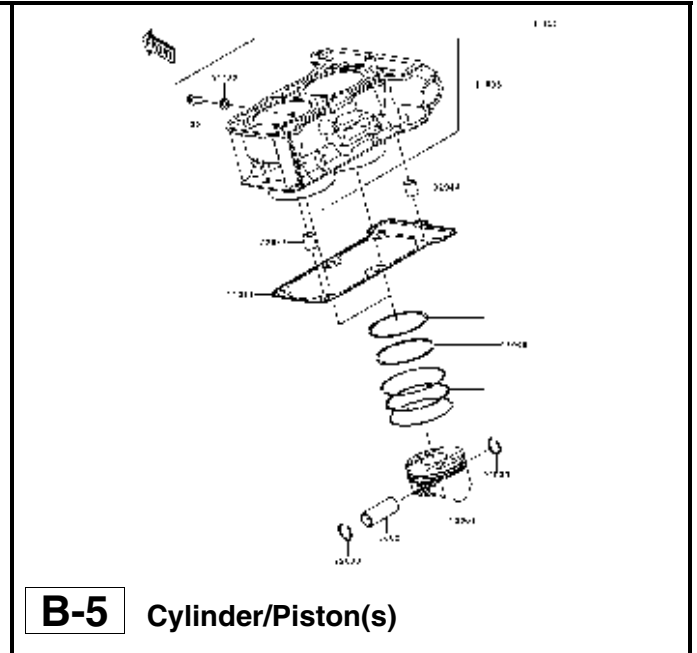




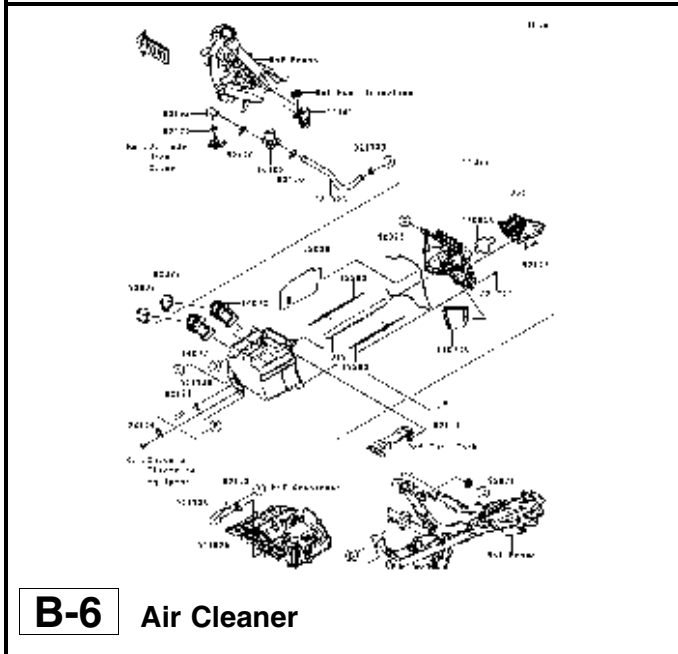
B-3 Cylinder Head



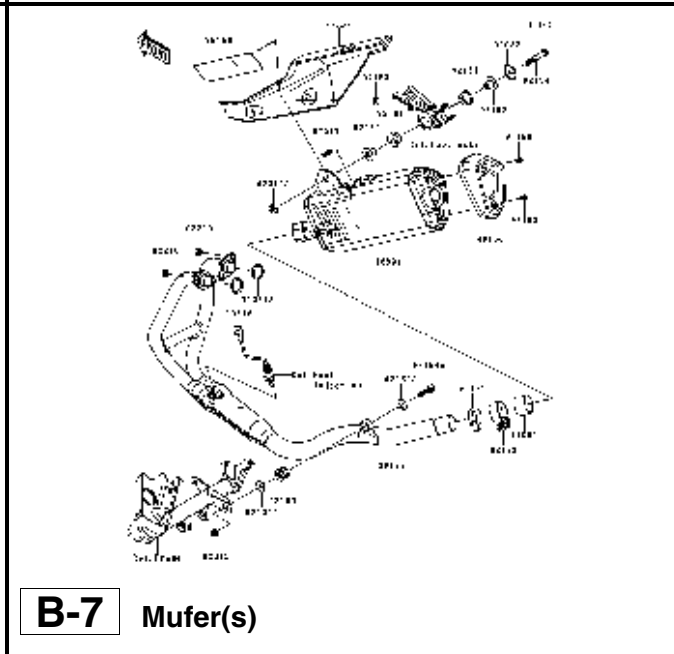
B-4 Cylinder Head Cover



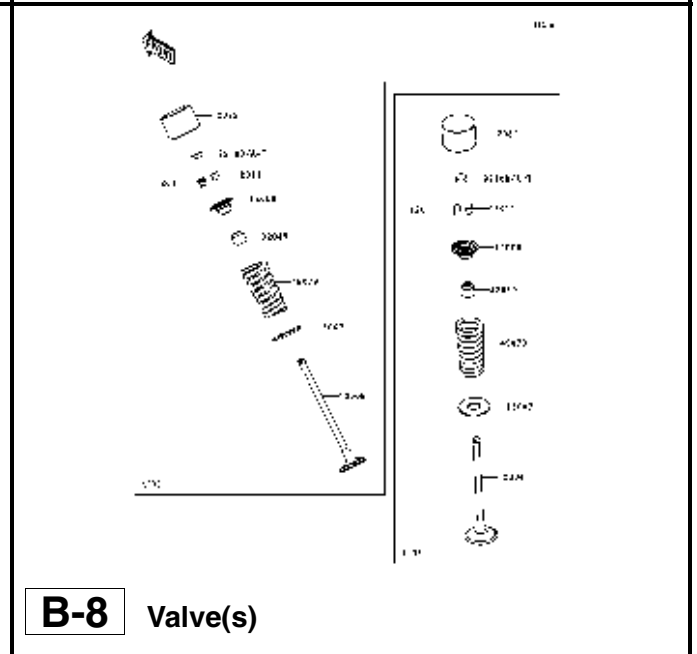
B-5 Cylinder/Piston(s)



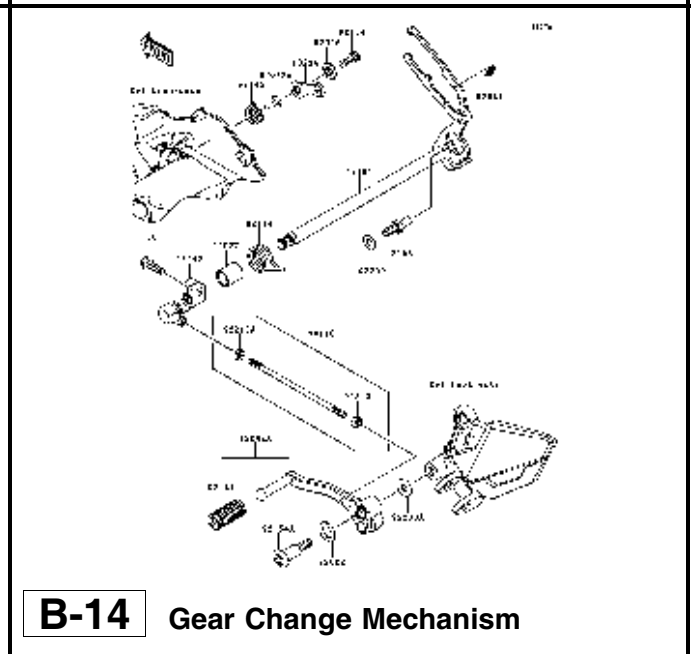
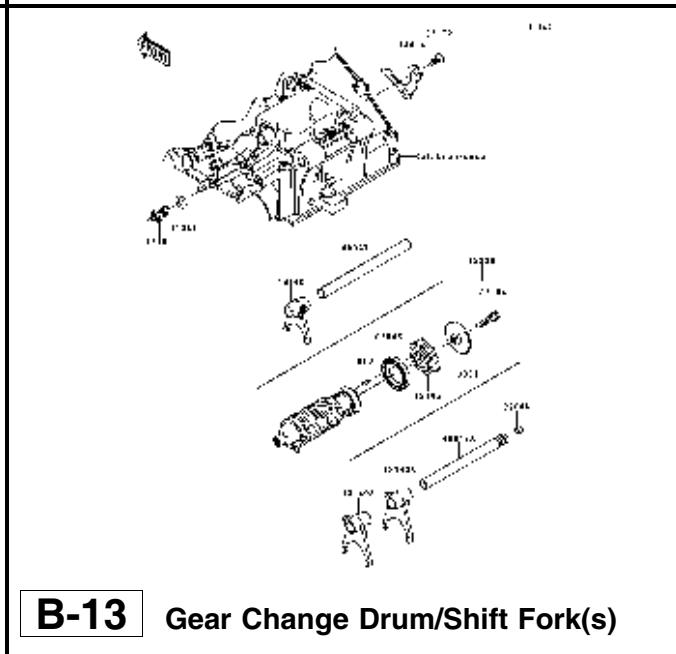
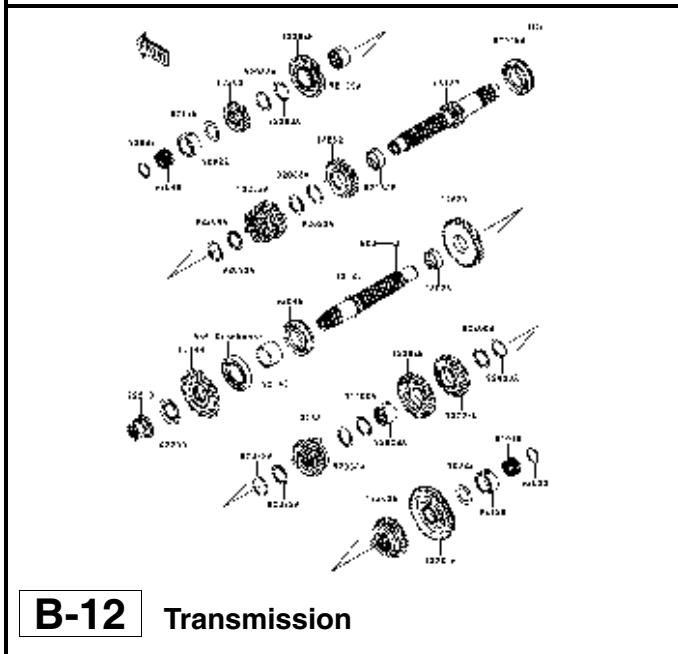
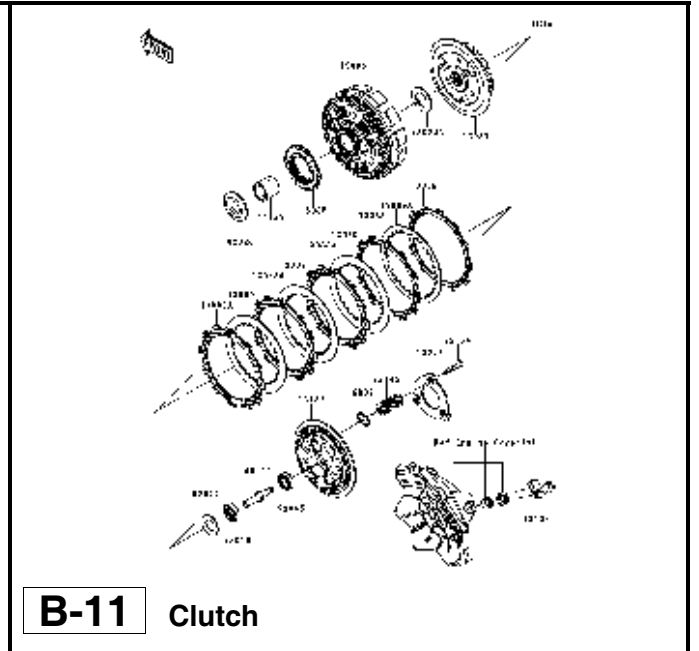
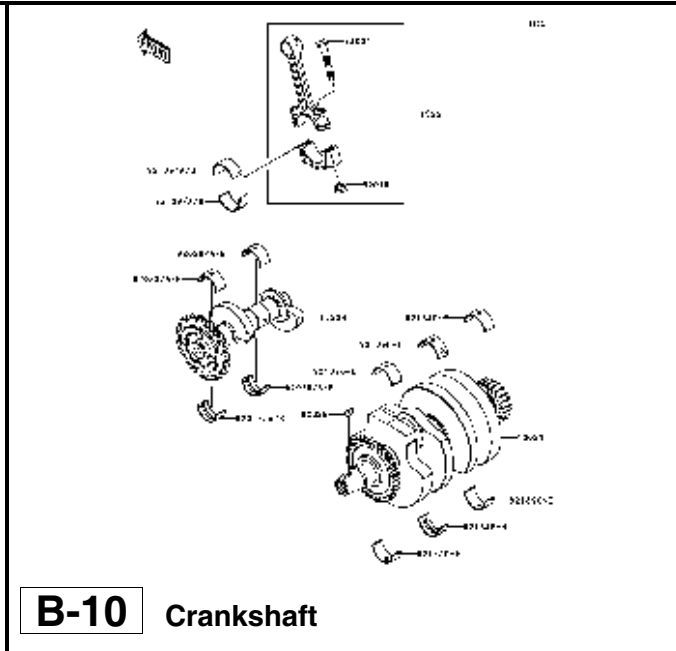
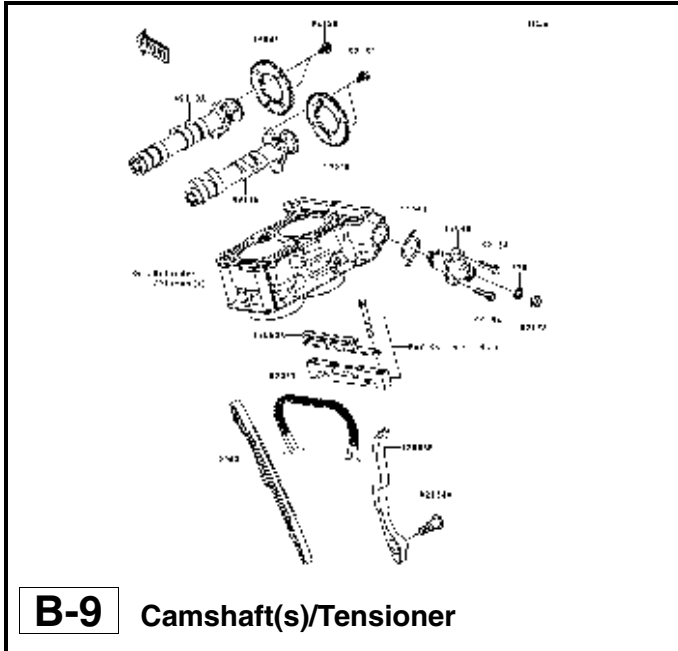
B-6 Air Cleaner

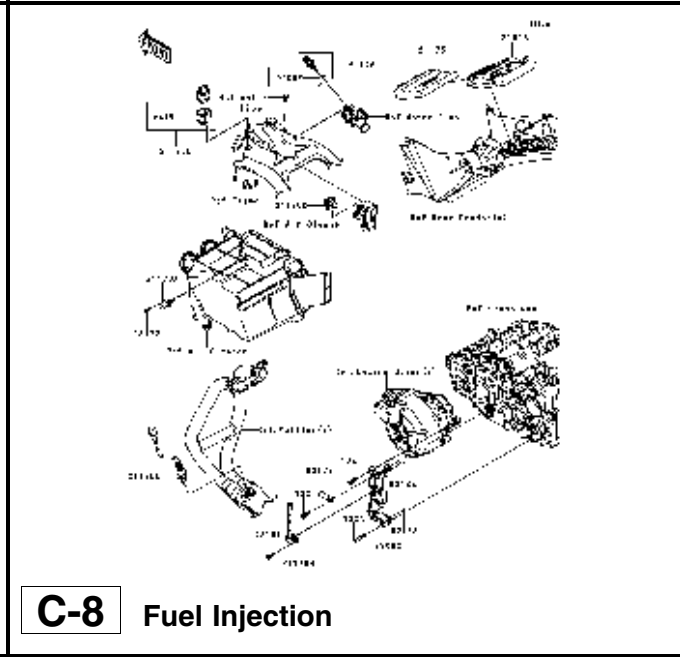
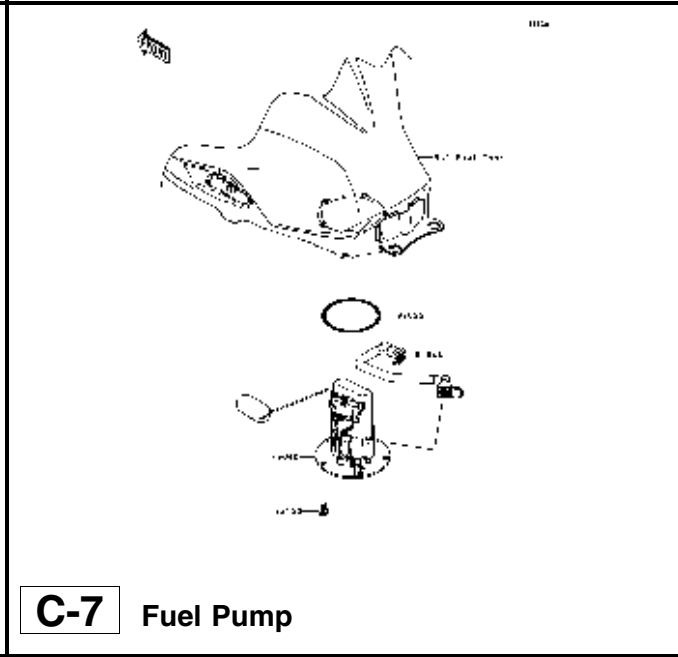
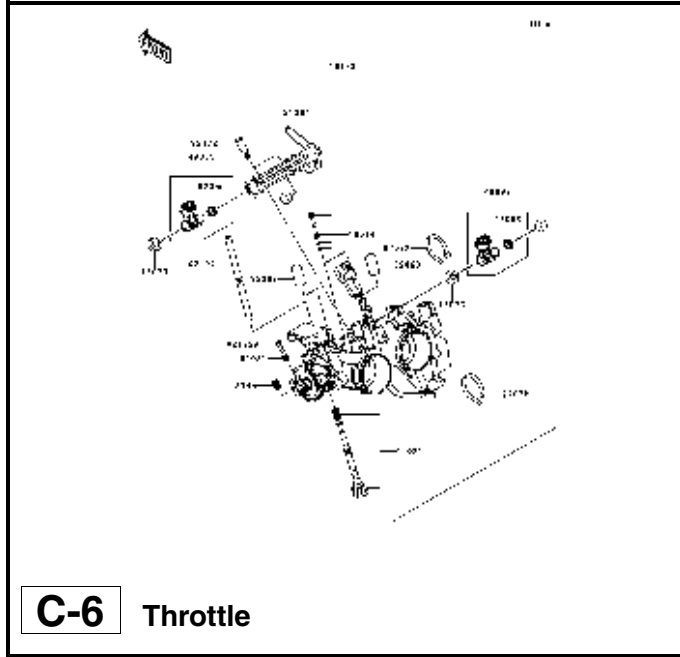
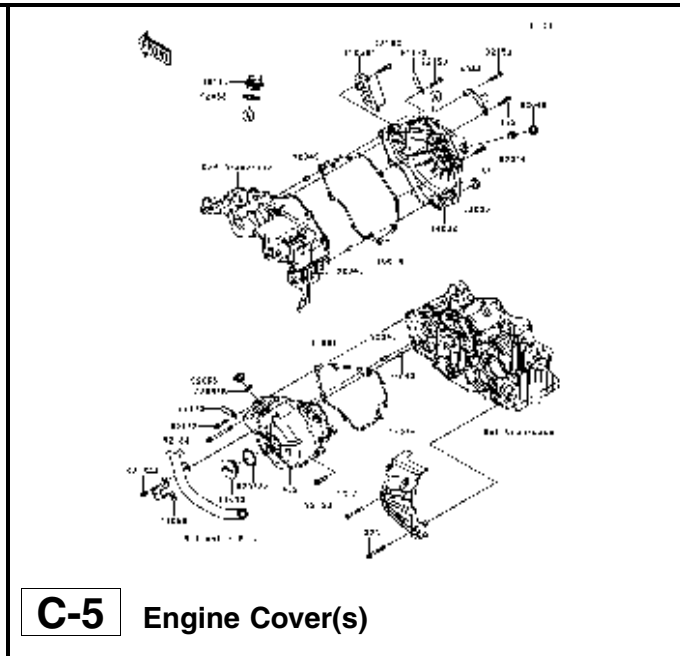
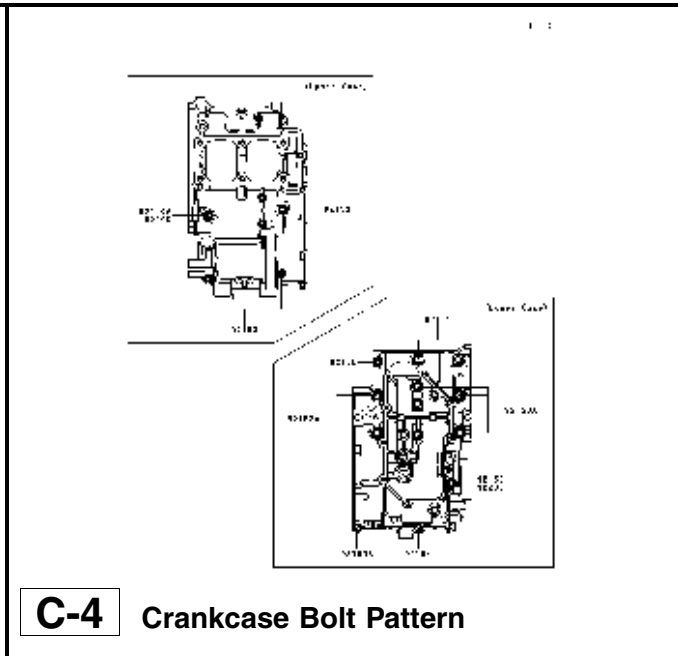
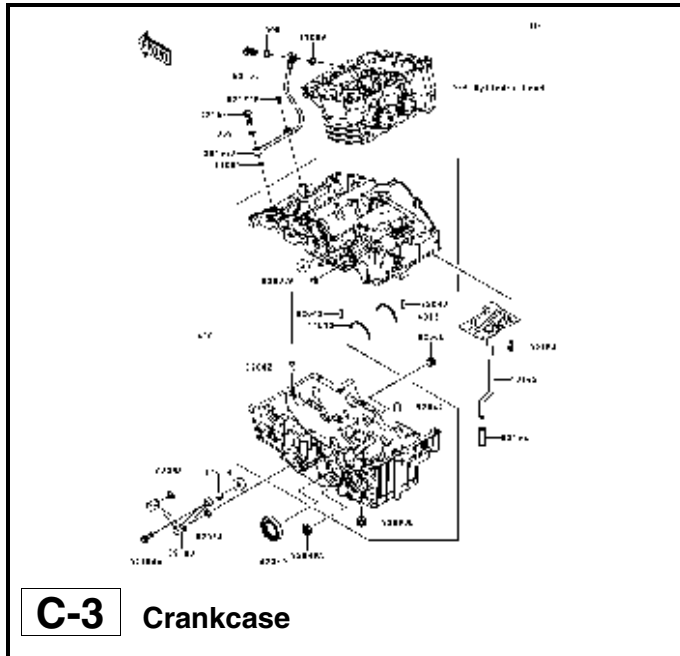


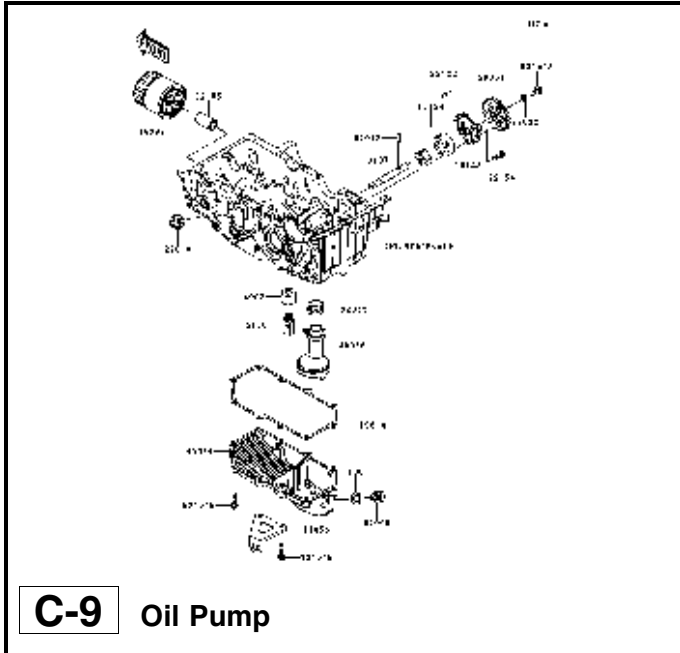
B-7 Mufer(s)



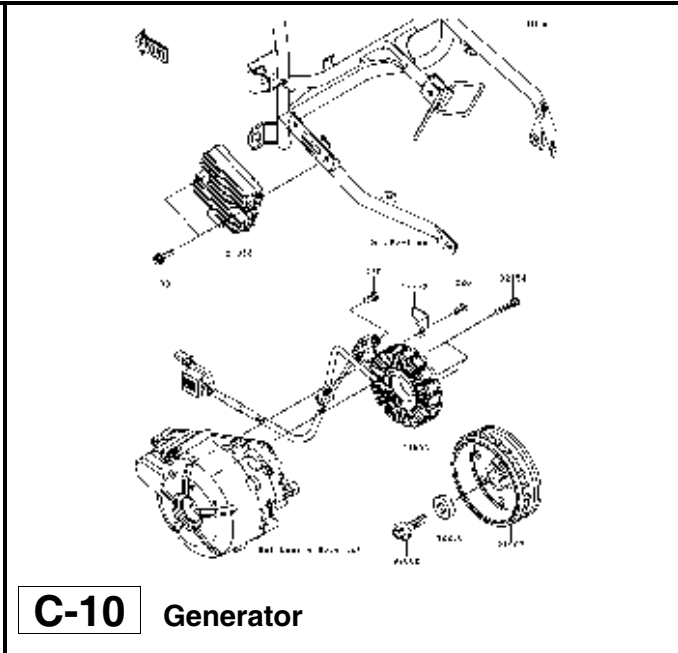
B-8 Valve(s)



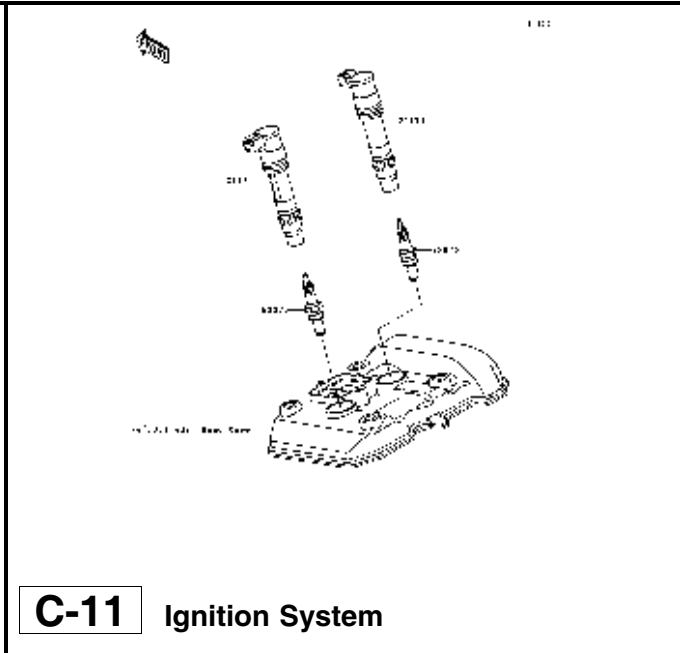




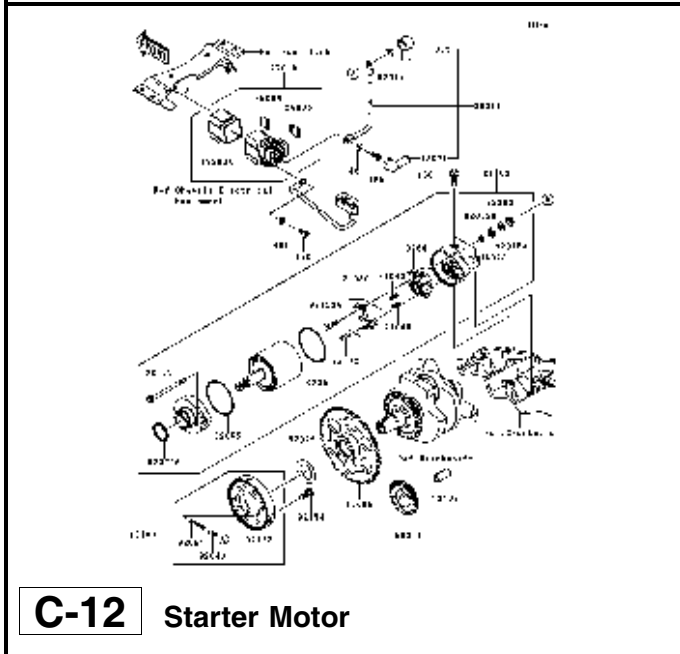
C-9 Oil Pump



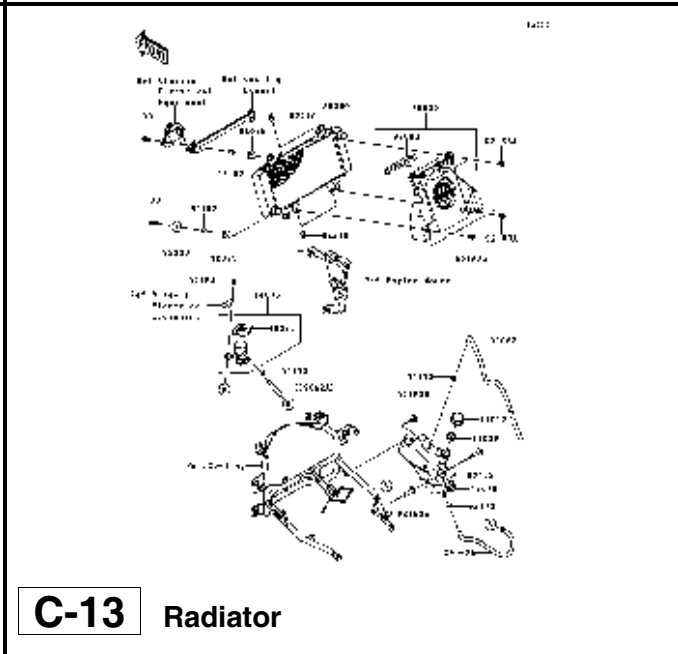
C-10 Generator



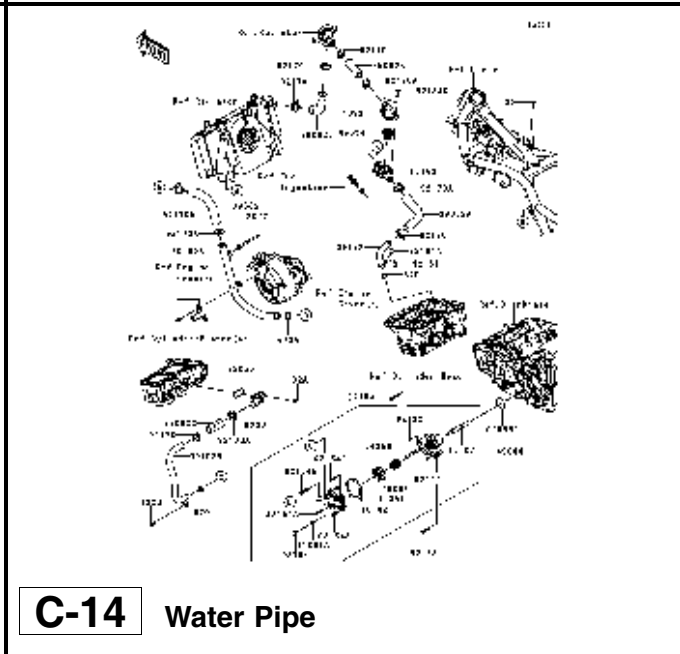
C-11 Ignition System



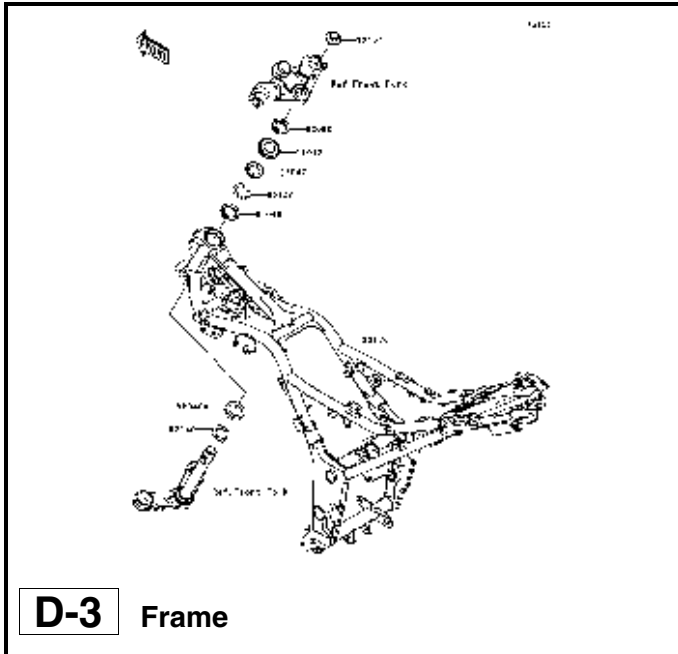
C-12 Starter Motor



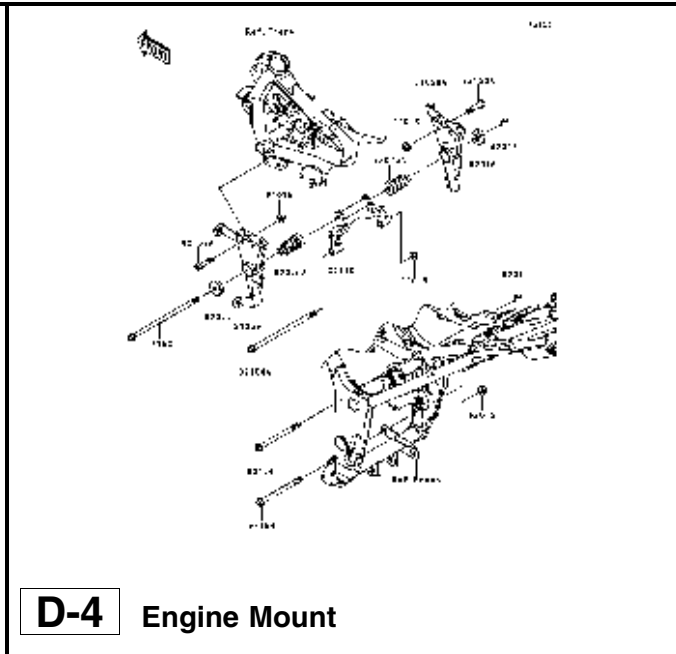
C-13 Radiator



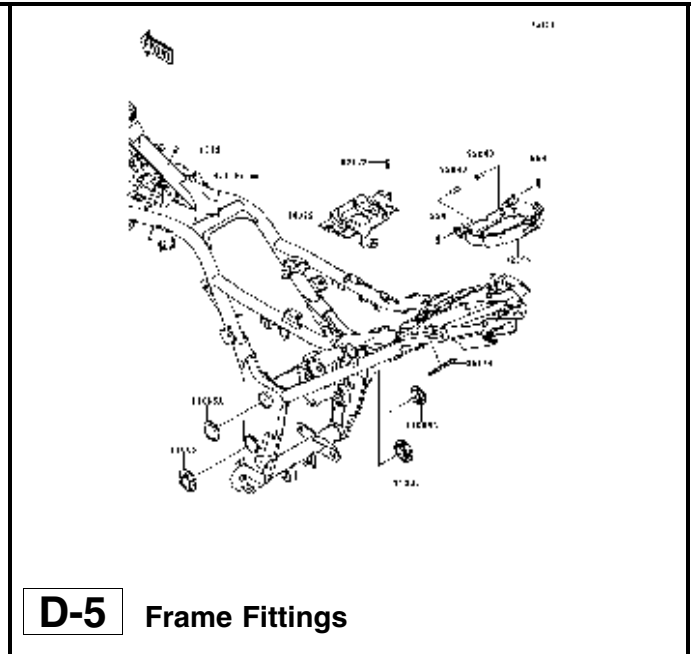
C-14 Water Pipe



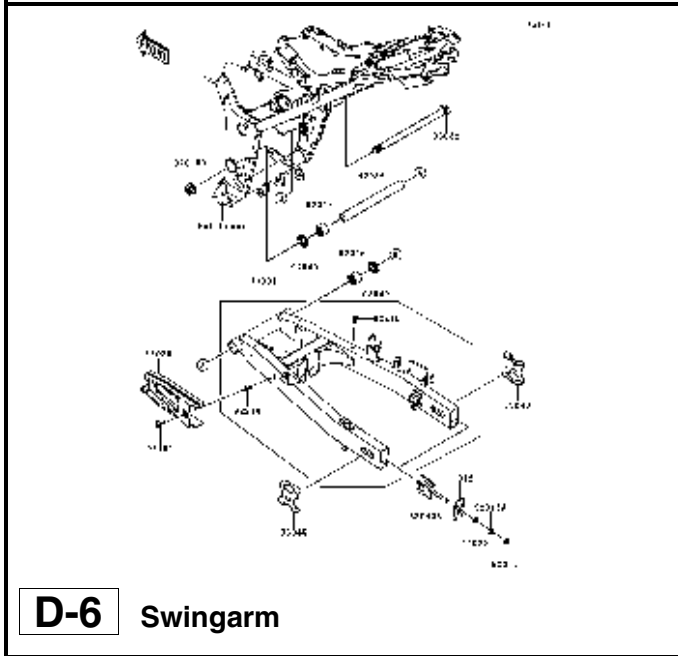
D-3 Frame



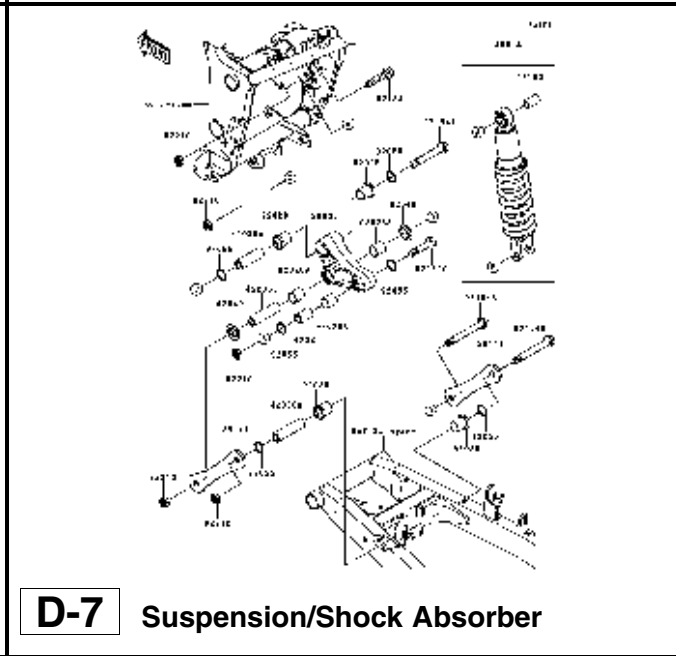
D-4 Engine Mount



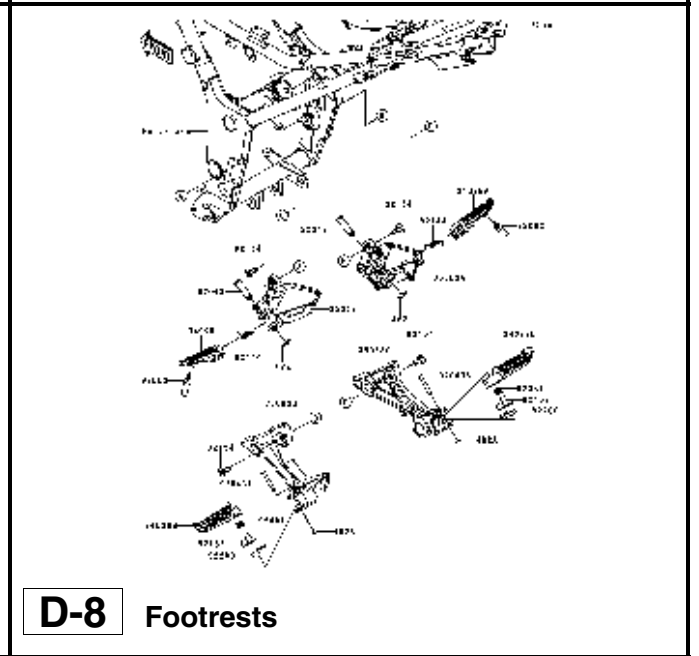
D-5 Frame Fittings



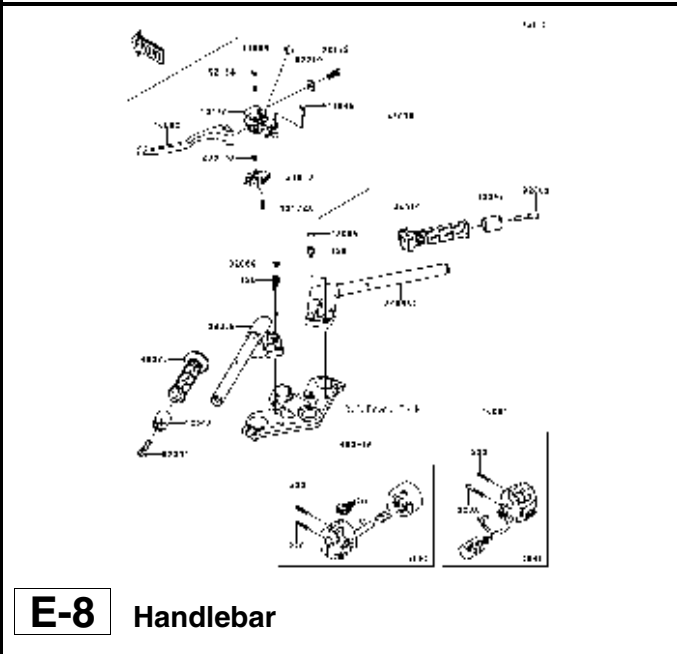
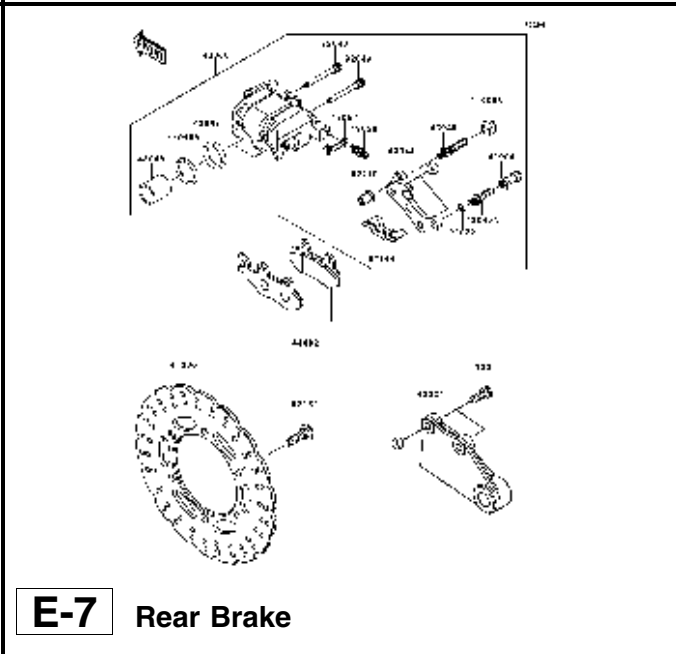
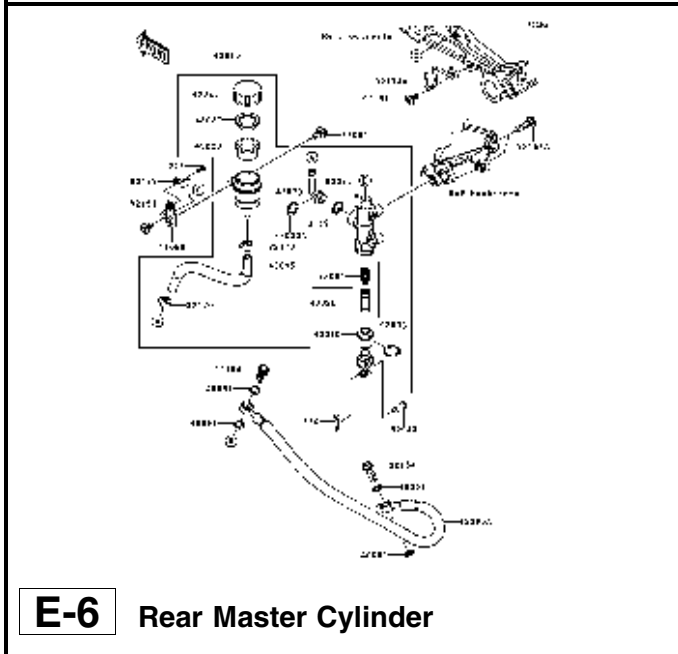
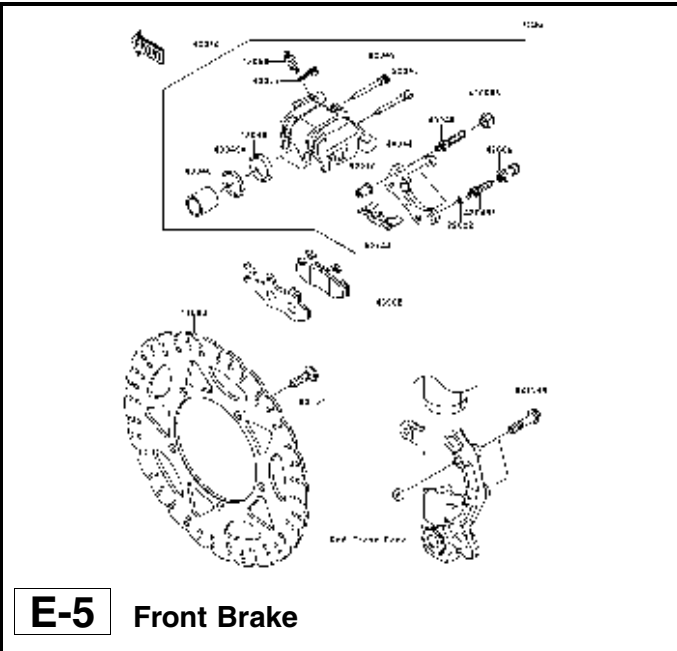
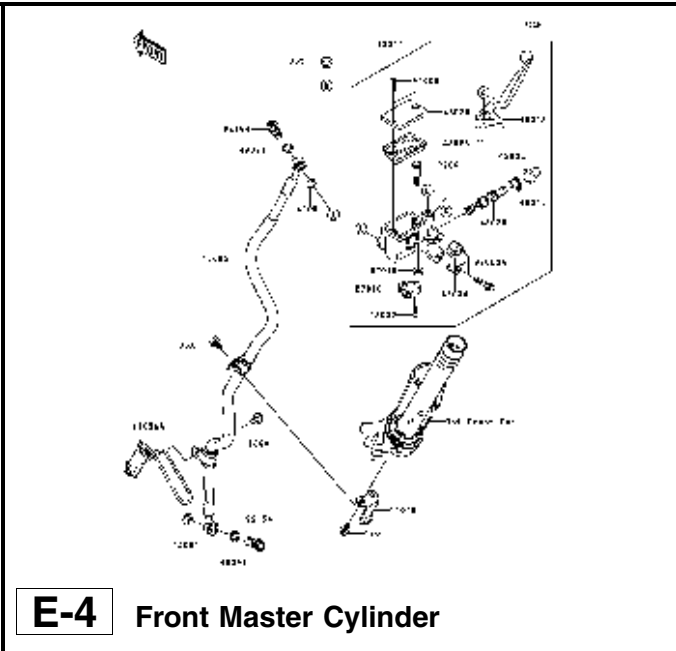
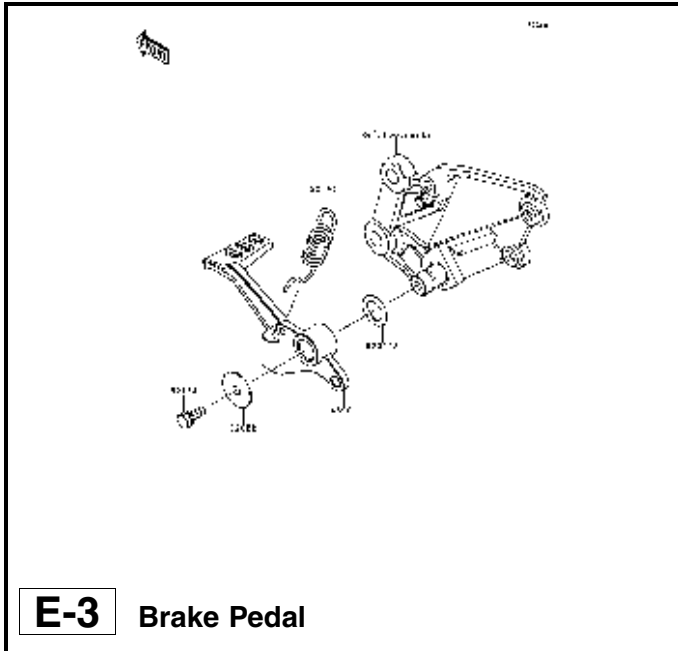
D-6 Swingarm

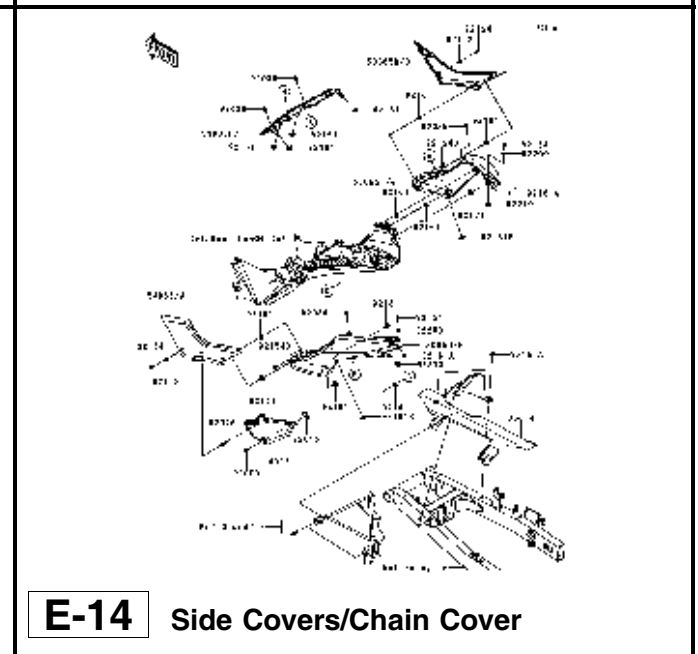
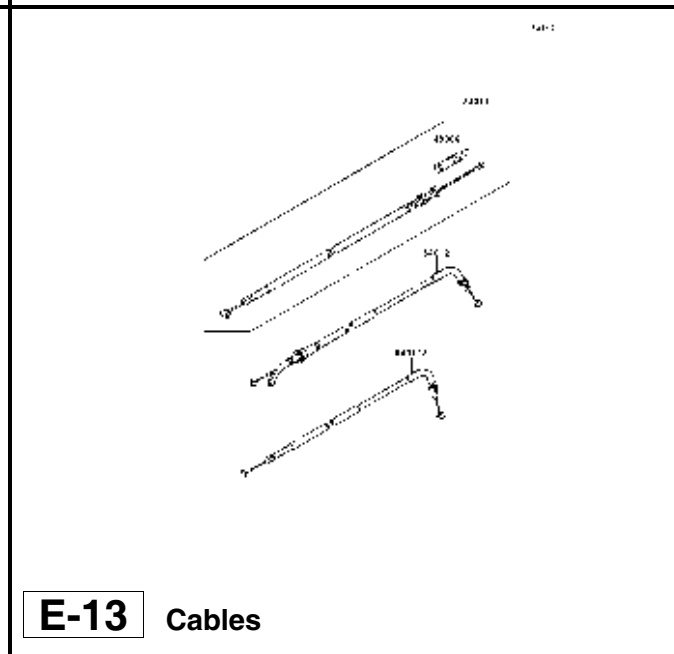
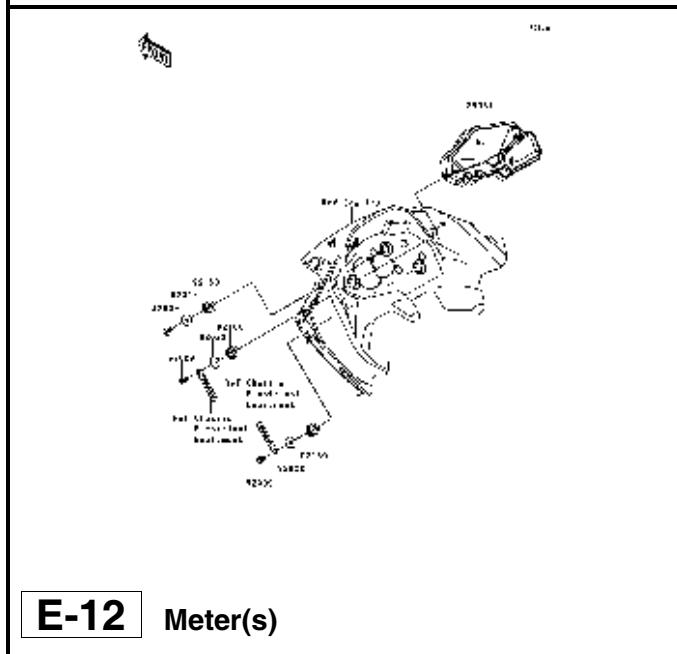
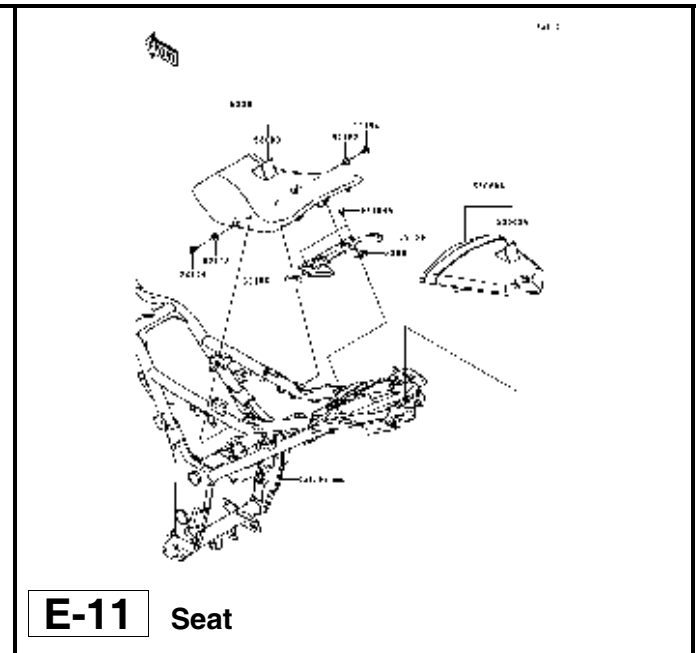
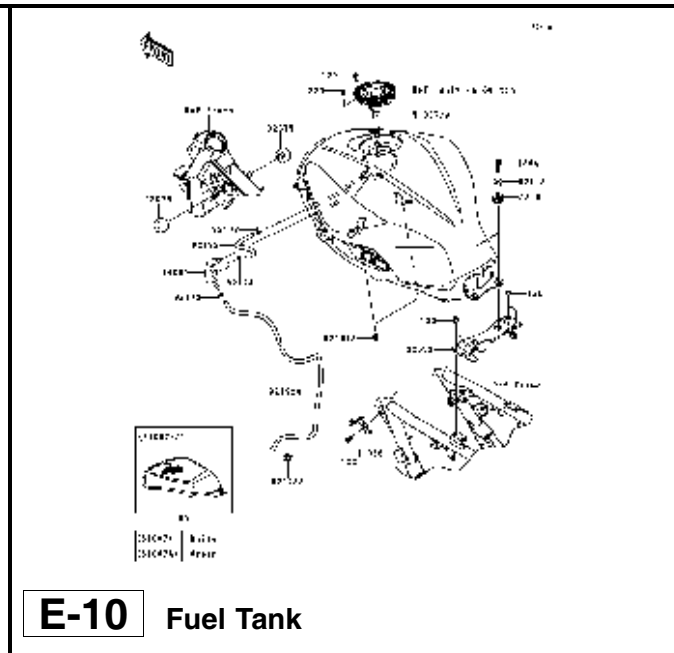
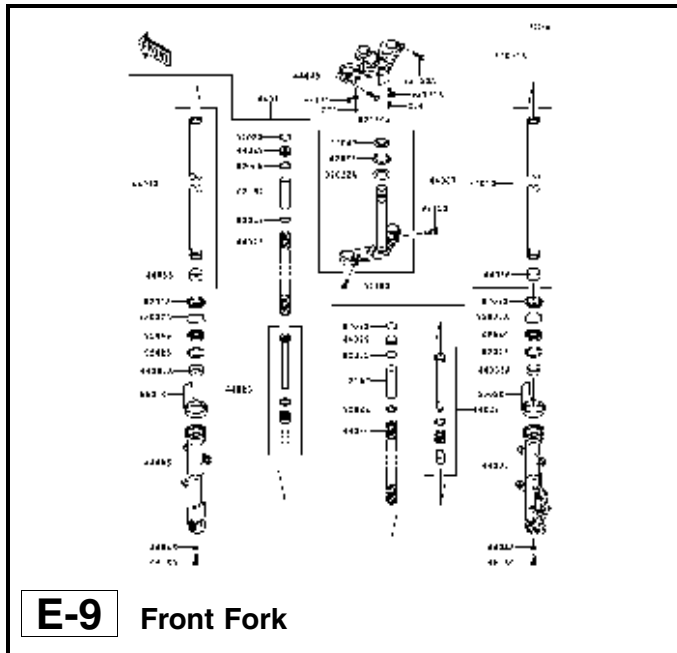


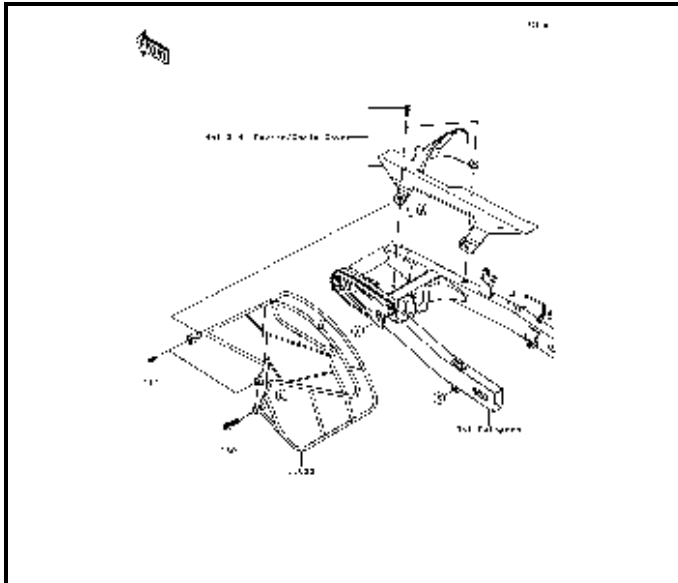
D-7 Suspension/Shock Absorber



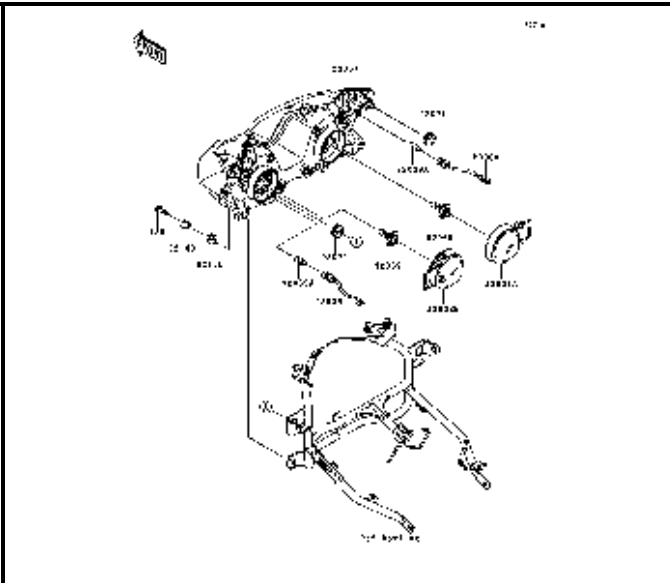
D-8 Footrests



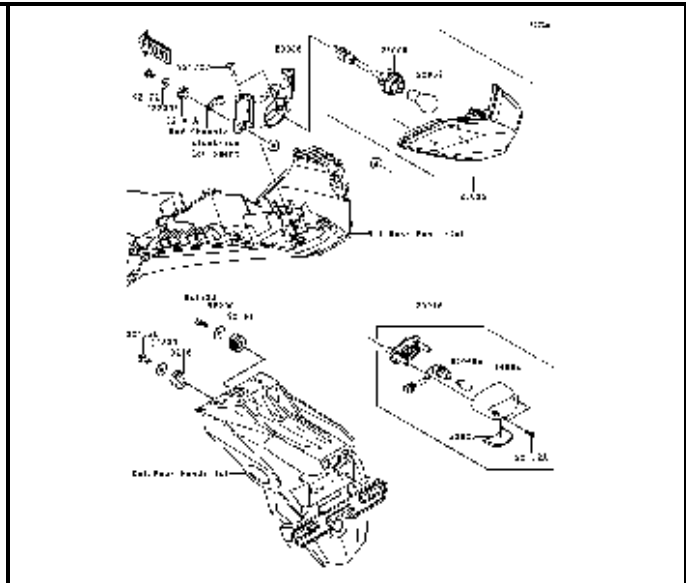




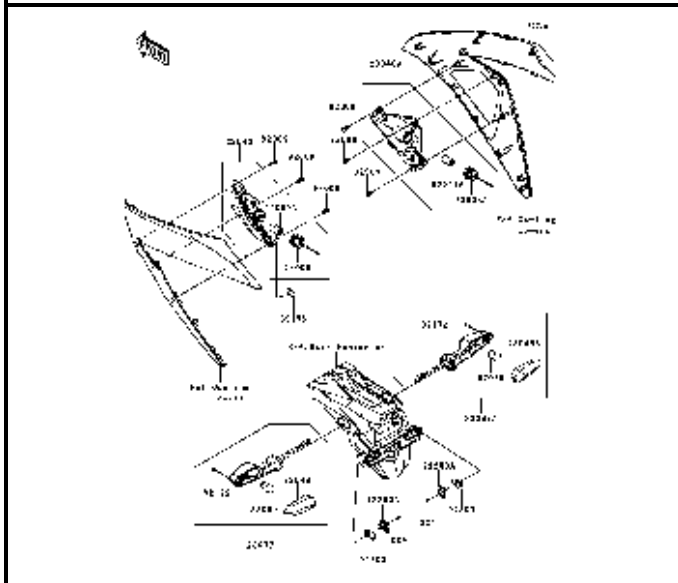
F-3 Guard(s)



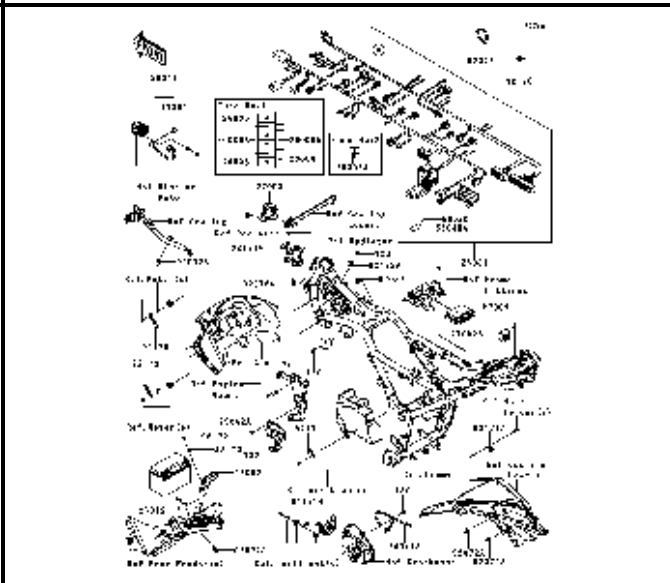
F-4 Headlight(s)



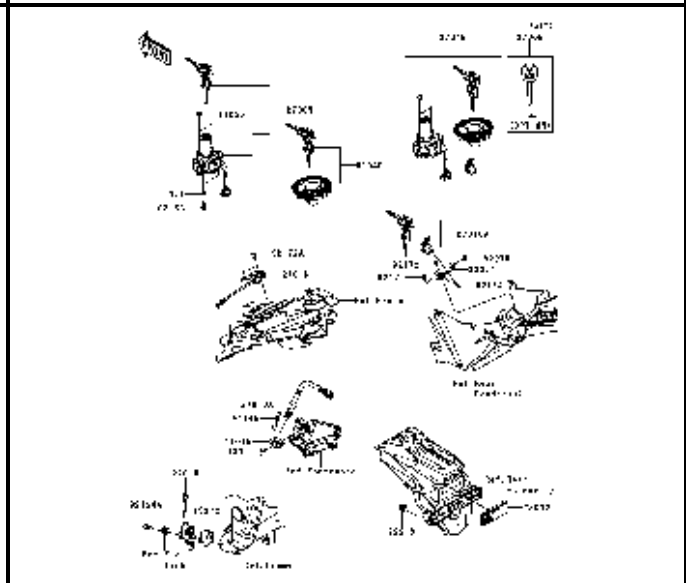
F-5 Taillight(s)



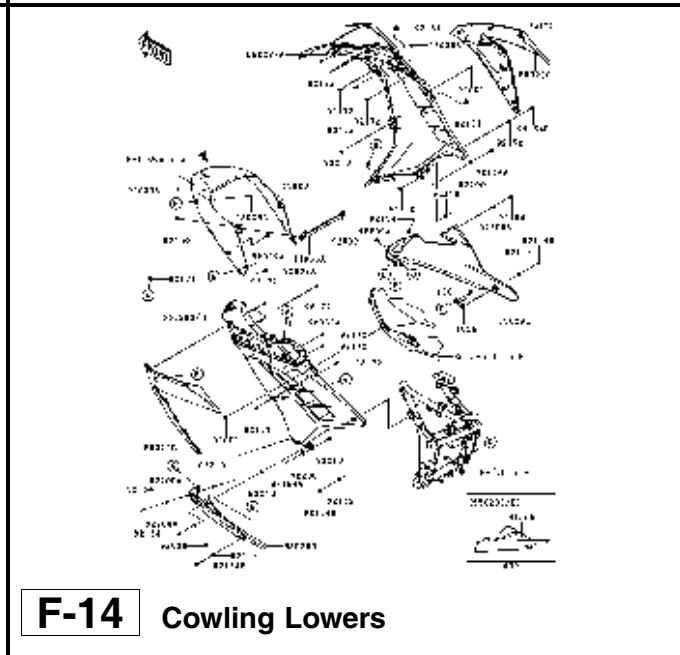
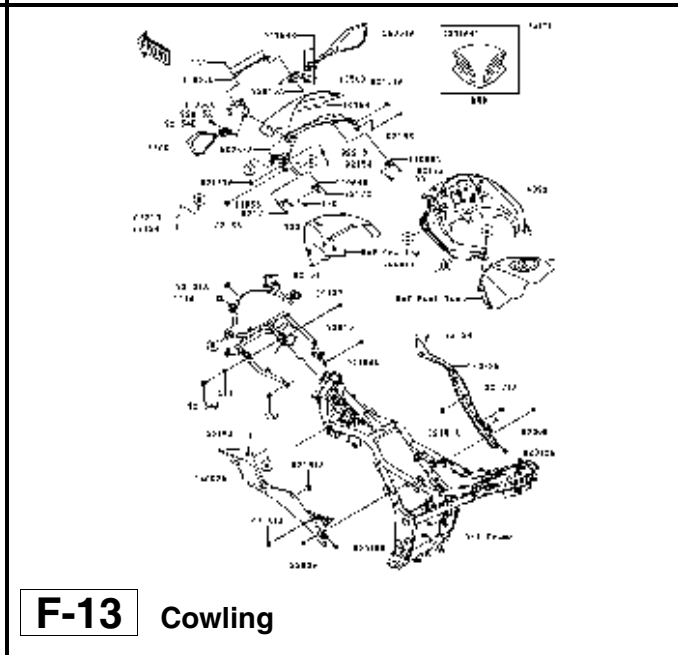
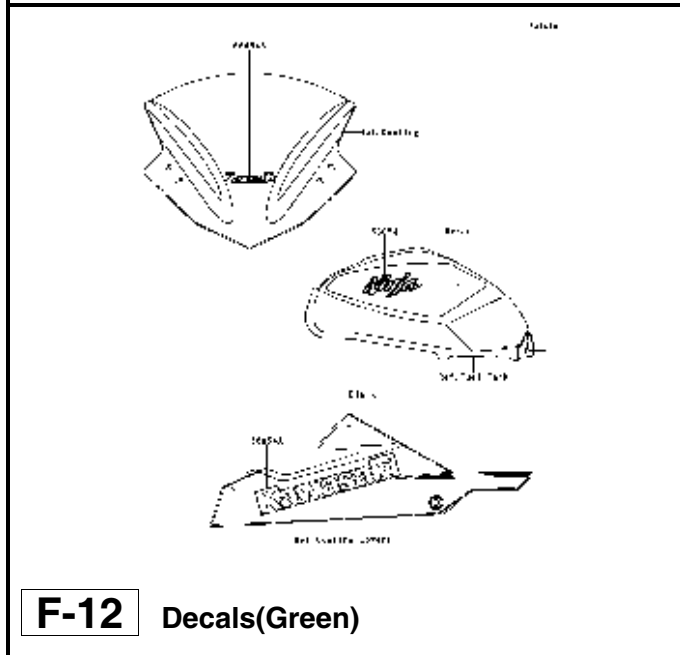
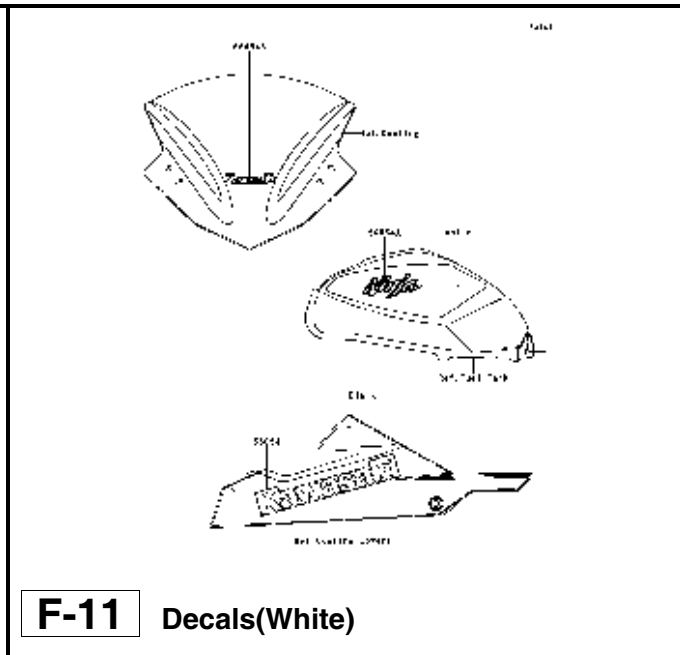
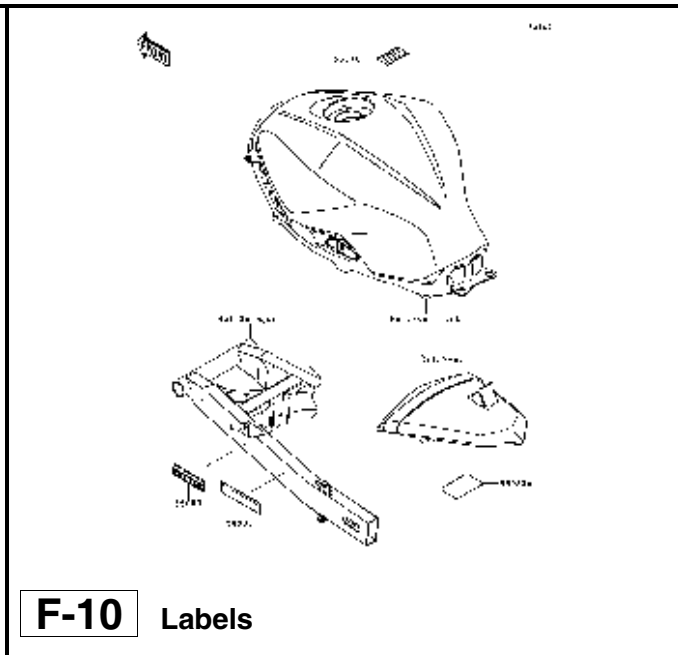
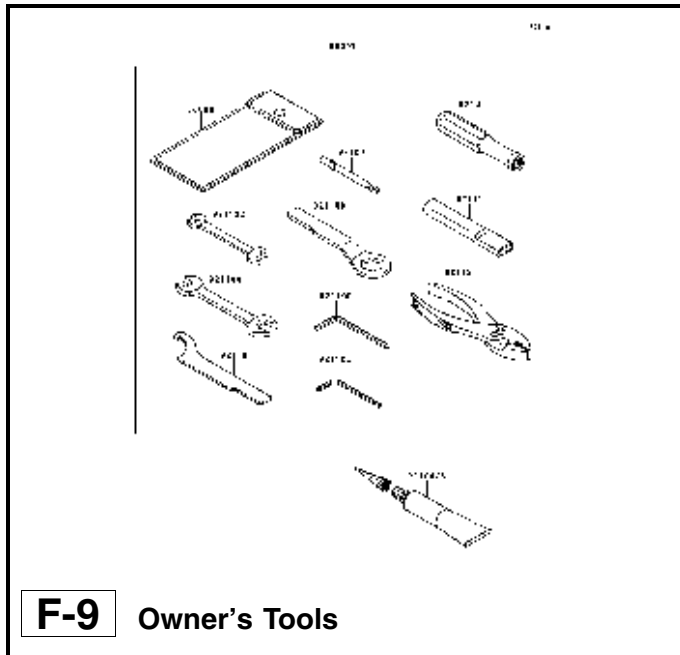
F-6 Turn Signals



F-7 Chassis Electrical Equipment



F-8 Ignition Switch



This catalog covers:

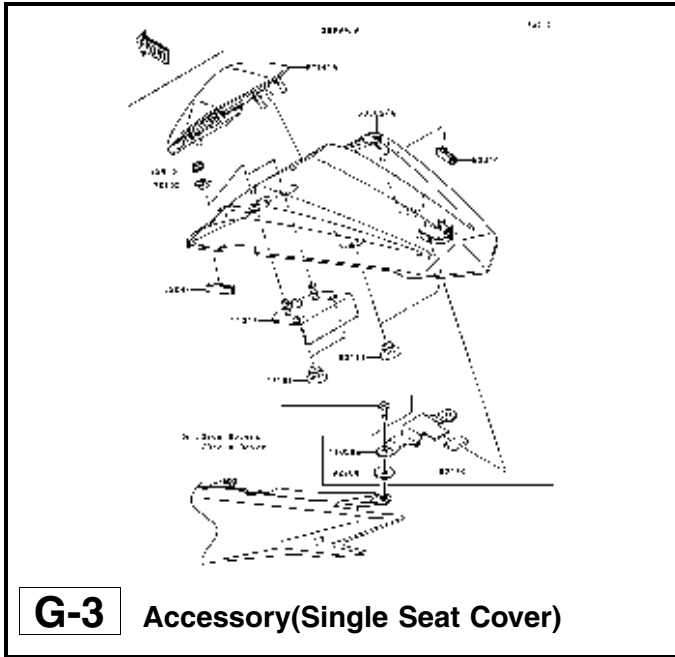
'13 EX300ADF Chassis

GRID NO.

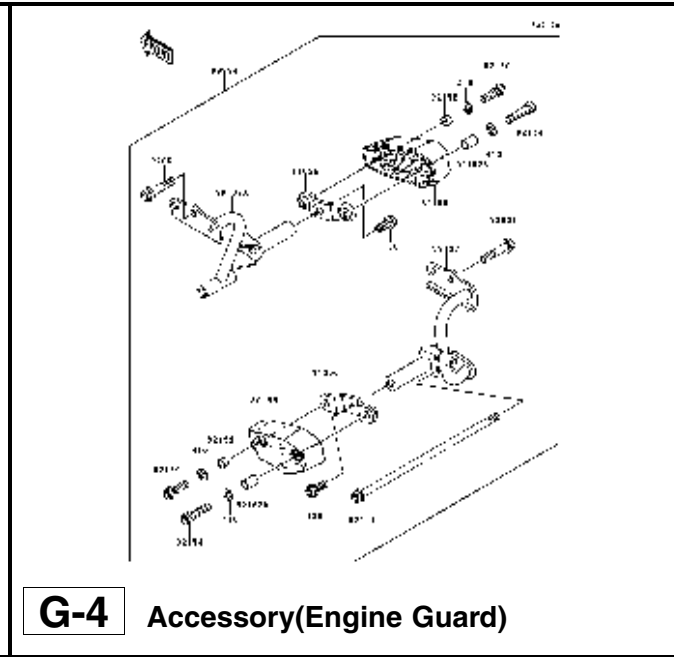
G-1

This grid covers:

Pictorial Index



G-3 Accessory(Single Seat Cover)



G-4 Accessory(Engine Guard)

This catalog covers:

'13 EX300ADF Chassis

GRID NO.

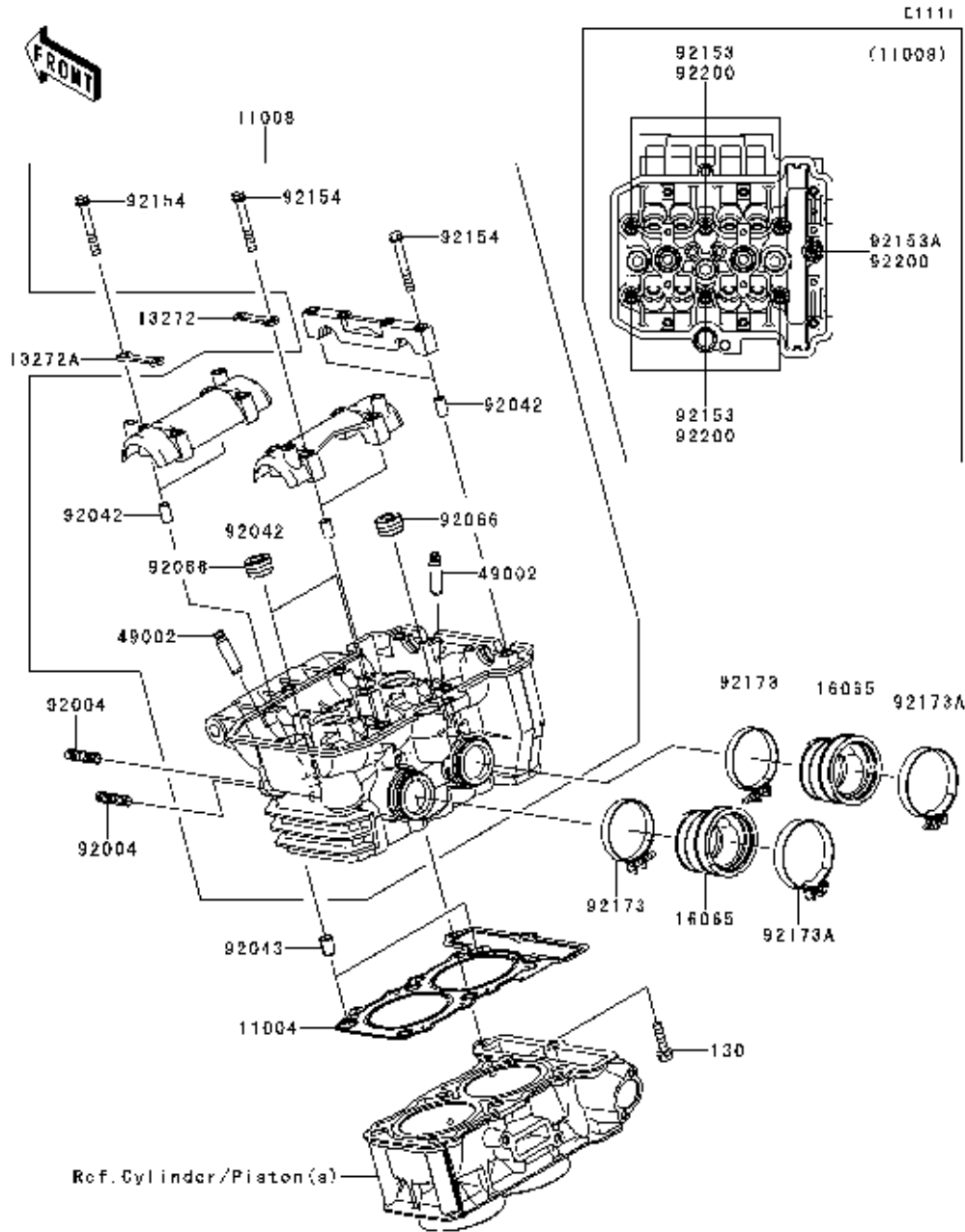
G-2

This grid covers:

Pictorial Index

This catalog covers:
'13 EX300ADF Engine

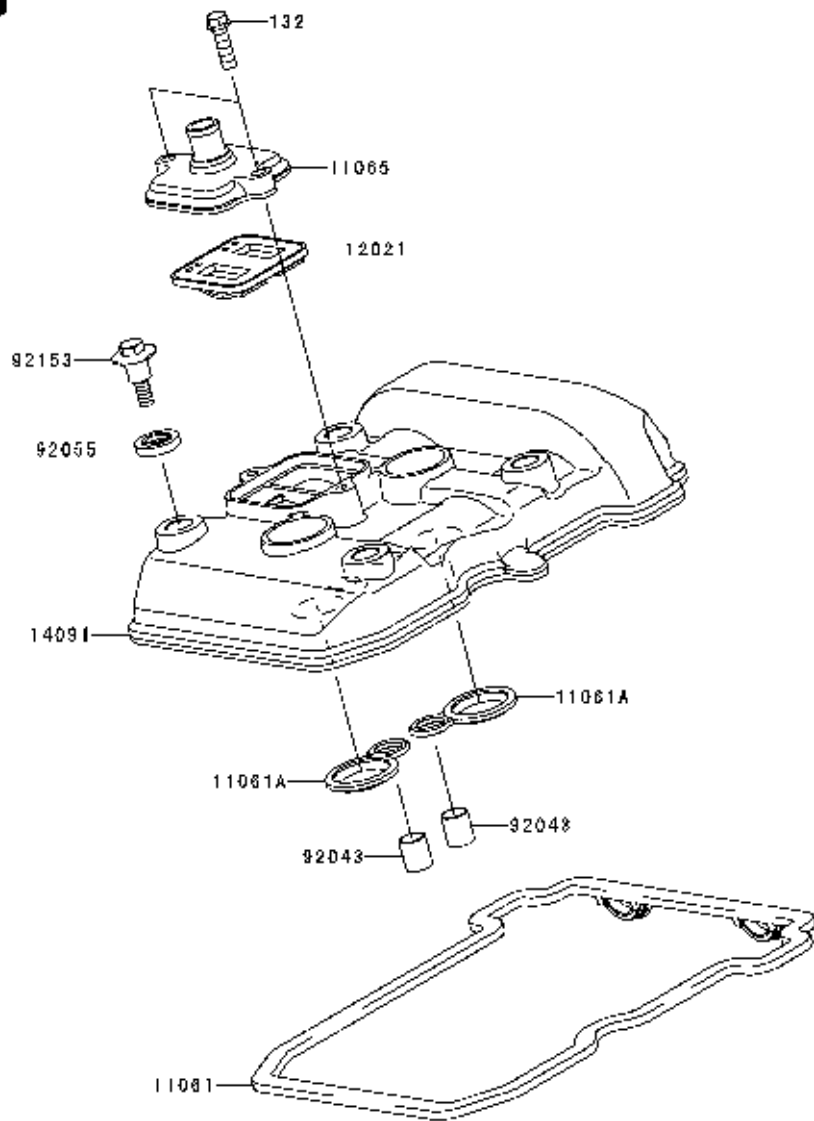
GRID NO. This grid covers:
B-3 **Cylinder Head**



Ref. No.	BAL Part No.	Description	Spec Code	Quantity		KHI Ref. No.
				'13	ADF	
11004	PB511062	GASKET-HEAD		1		11004-0734
11008	PB511063	HEAD-COMP-CYLINDER		1		11008-0747
13272	PB511005	PLATE, IN		2		13272-0260
13272A	PB511006	PLATE, EX		2		13272-0261
16065	PB581216	HOLDER-CARBURETOR		2		16065-0119
49002	PB511011	GUIDE-VALVE		8		49002-0009
92004	PB231218	STUD, 8X22		4		92004-0040
92042	PB113948	PIN, DOWEL, 6.3X8X14		6		92042-007
92043	PB113956	PIN, 8.2X10X14		2		92043-1264
92066	PB511001	PLUG, PT1/2X12.5		3		92066-0002
92153	PB113957	BOLT, SOCKET, 8X146		6		92153-1774
92153A	PB113958	BOLT, SOCKET, 8X115		1		92153-1775
92154	PB113949	BOLT, 6X45		12		92154-0246
92173	PB581221	CLAMP, 47MM		2		92173-0919
92173A	PB581224	CLAMP, 53MM		2		92173-0956
92200	PB351031	WASHER, 8.5X18X1.6		7		92200-0860
130	PB113946	BOLT-FLANGED, 6X25		1		130BB0625

This catalog covers:
'13 EX300ADF Engine

GRID NO. **B-4** This grid covers:
Cylinder Head Cover

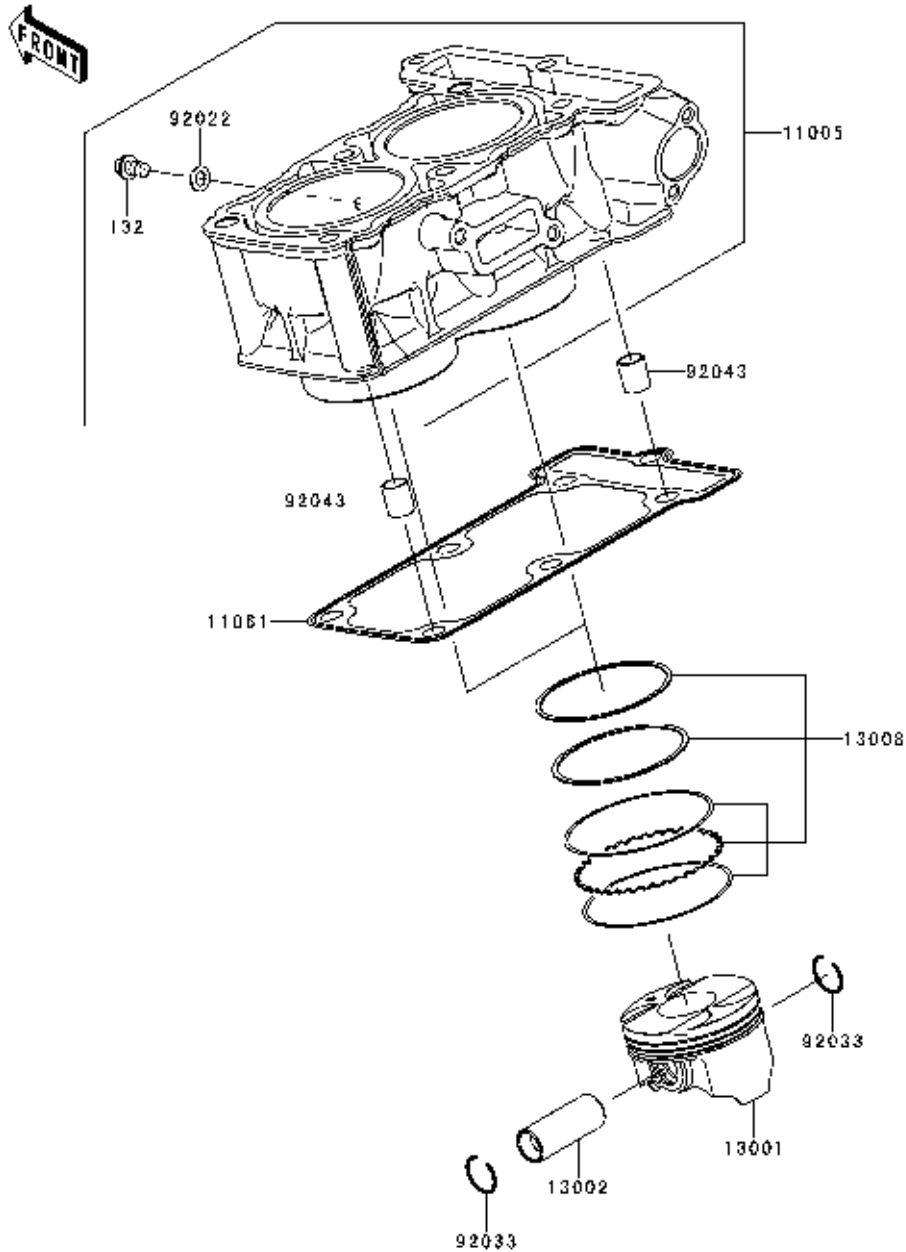


C1112

Ref. No.	BAL Part No.	Description	Spec Code	Quantity		KHI Ref. No.
				'13	ADF	
11061	PB511008	GASKET, CYLINDER HEAD COVER		1		11061-0282
11061A	PB511009	GASKET, PLUG HOLE		2		11061-0283
110651	PB511021	CAP		1		1065-0349
12021	PB511073	VALVE-ASSY-REED		1		12021-0708
14091	PB511010	COVER, CYLINDER HEAD		1		14091-0724
92043	PB113952	PIN, 10.1X12X14		2		92043-4009
92055	PB113953	RING-O, HEAD COVER BOLT		4		92055-0195
92153	PB113954	BOLT, HEAD COVER		4		92153-0793
132	PB114219	BOLT-FLANGED-SMALL, 6X20		2		132BA0620

This catalog covers:
'13 EX300ADF Engine

GRID NO. **B-5** This grid covers:
Cylinder/Piston(s)



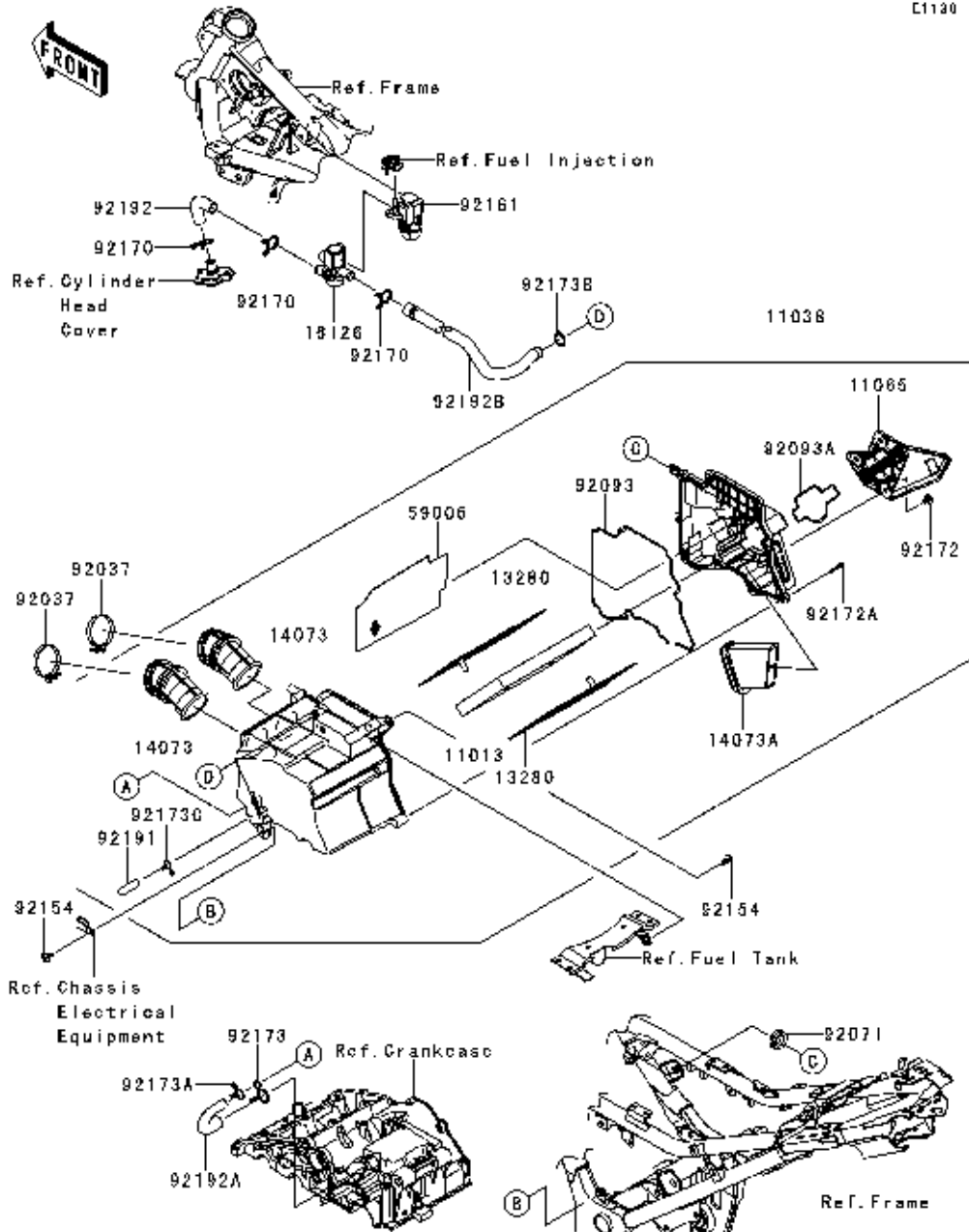
C1120

Ref. No.	BAL Part No.	Description	Spec Code	Quantity		KHI Ref. No.
				'13	ADF	
11005	PB521005	CYLINDER-ENGINE		1		11005-0619
11061	PB511064	GASKET, CYLINDER BASE		1		11061-0790
13001	PB521213	PISTON-ENGINE		2		13001-0742
13002	PB521214	PIN-PISTON		2		13002-0710
13008	PB521215	RING-SET-PISTON		2		13008-0047
92022	PB113960	WASHER,6 .2X11X1		1		92022-304
92033	PB521216	RING-SNAP, PISTON PIN		4		92033-0732
92043	PB113956	PIN, 8.2X10X14		2		92043-1264
132	PB113959	BOLT-FLANGED-SMALL, 6X10		1		132BB0610

This catalog covers:
'13 EX300ADF Engine

GRID NO. This grid covers:
B-6 **Air Cleaner**

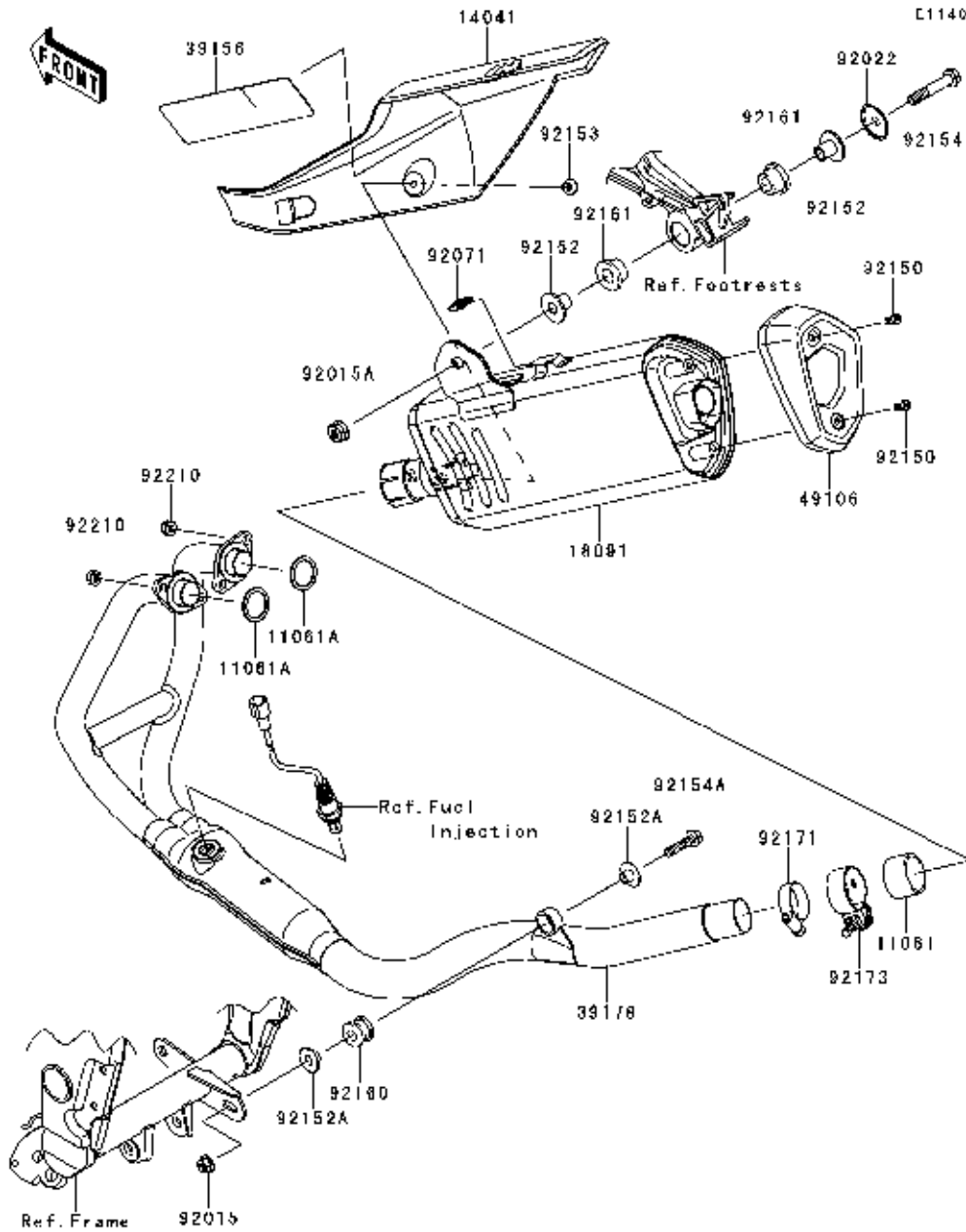
C1130



Ref. No.	BAL Part No.	Description	Spec Code	Quantity		KHI Ref. No.
				'13	ADF	
11013	PB581001	ELEMENT-AIR FILTER		1		11013-0020
11038	PB581051	CASE-ASSY-AIR FILTER		1		11038-0035
11065	PB122076	CAP		1		11065-0749
13280	PB581003	HOLDER, ELEMENT		2		13280-0226
14073	PB581053	DUCT, THROTTLE BODY		2		14073-0733
14073A	PB581054	DUCT, INTAKE		1		14073-0762
16126	PB581013	VALVE, AIR CUT		1		16126-0039
59006	PB581006	ARRESTER-FLAME		1		59006-0014
92037	PB351420	CLAMP, 55MM		2		92037-1486
92071	PB402227	GROMMET		1		92071-0709
92093	PB581007	SEAL, CASE-AIR FILTER		1		92093-0078
92093A	PB581008	SEAL, CAP		1		92093-0144
92154	PB231246	BOLT, SOCKET, 6X12		2		92154-0951
92161	PB401436	DAMPER, ACV		1		92161-1424
92170	PB581015	CLAMP		3		92170-1017
92172	PB114128	SCREW, 6X10		3		92172-0005
92172A	PB113962	SCREW, TAPPING, 5X25		9		92172-0296
92173	PB581400	CLAMP, 20MM		1		92173-0190
92173A	PB581401	CLAMP, 14MM		1		92173-0192
92173B	PB581402	CLAMP, 18MM		1		92173-0193
92173C	PB581403	CLAMP, 11.6MM		1		92173-0198
92191	PB581010	TUBE, 8X12X40		1		92191-1795
92192	PB581404	TUBE, ACV-HEAD		1		92192-0902
92192A	PB581227	TUBE, BREATHER		1		92192-1097
92192B	PB581229	TUBE, ACV-A/C		1		92192-1231

This catalog covers:
'13 EX300ADF Engine

GRID NO. This grid covers:
B-7 Mufer(s)



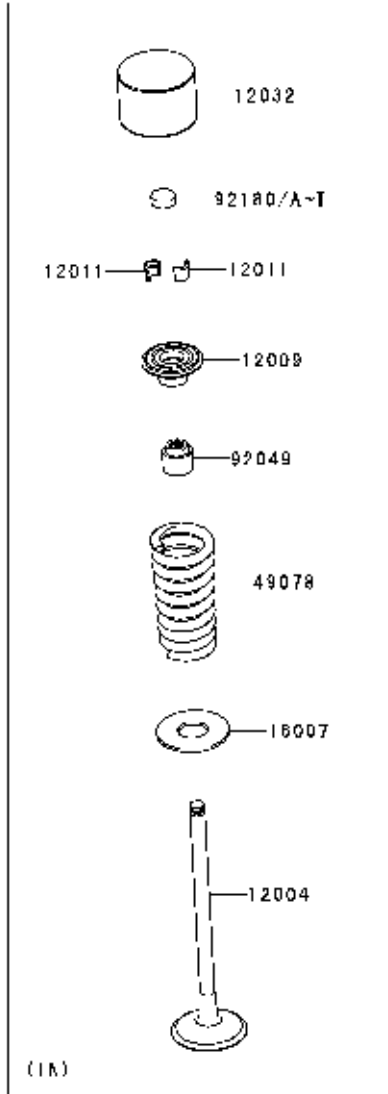
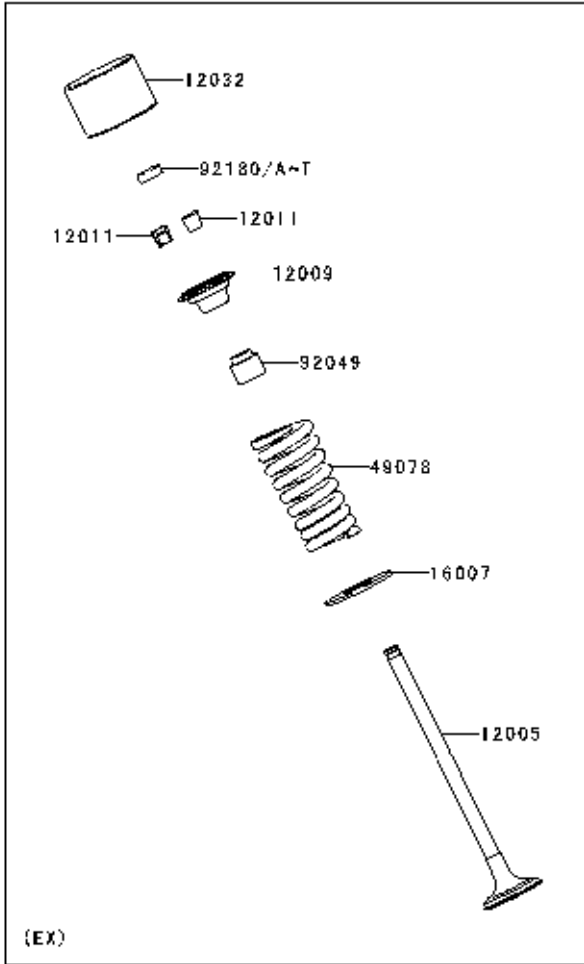
Ref. No.	BAL Part No.	Description	Spec Code	Quantity		KHI Ref. No.
				'13	ADF	
11061	PB591042	GASKET, EXHAUST PIPE CONNECTING		1		11061-0432
11061A	PB511065	GASKET, EXHAUST PIPE		2		11061-0791
14041	PB591084	COVER-COMP, MUFFLER		1		14041-0564
18091	PB591086	BODY-COMP-MUFFLER		1		18091-0860
39156	PB591089	PAD		1		39156-0928
39178	PB591092	MANIFOLD-COMP-EXHAUST		1		39178-0177
49106	PB591093	COVER-MUFFLER, END		1		49106-0727
92015	PB114292	NUT, FLANGED, 8MM		1		92015-1014
92015A	PB113969	NUT, FLANGED, 10MM		1		92015-1387
92022	PB113971	WASHER		1		92022-289
92071	PB402228	GROMMET		1		92071-0712
92150	PB231225	BOLT, SOCKET, 6X14		2		92150-1836
92152	PB131040	COLLAR		2		92152-1682
92152A	PB131041	COLLAR		2		92152-1692
92153	PB113972	BOLT, SOCKET, 6X10		1		92153-1800
92154	PB113973	BOLT, FLANGED, 10X55		1		92154-0070
92154A	PB231406	BOLT, FLANGED, 8X35		1		92154-1061
92160	PB591058	DAMPER, MUFFLER MOUNT		1		92160-1116
92161	PB122080	DAMPER		2		92161-1497
92171	PB591008	CLAMP		1		92171-0059
92173	PB581223	CLAMP, 42MM		1		92173-0942
92210	PB113974	NUT, 8MM		4		92210-1242

This catalog covers:
'13 EX300ADF Engine

GRID NO. This grid covers:
B-8 Valve(s)

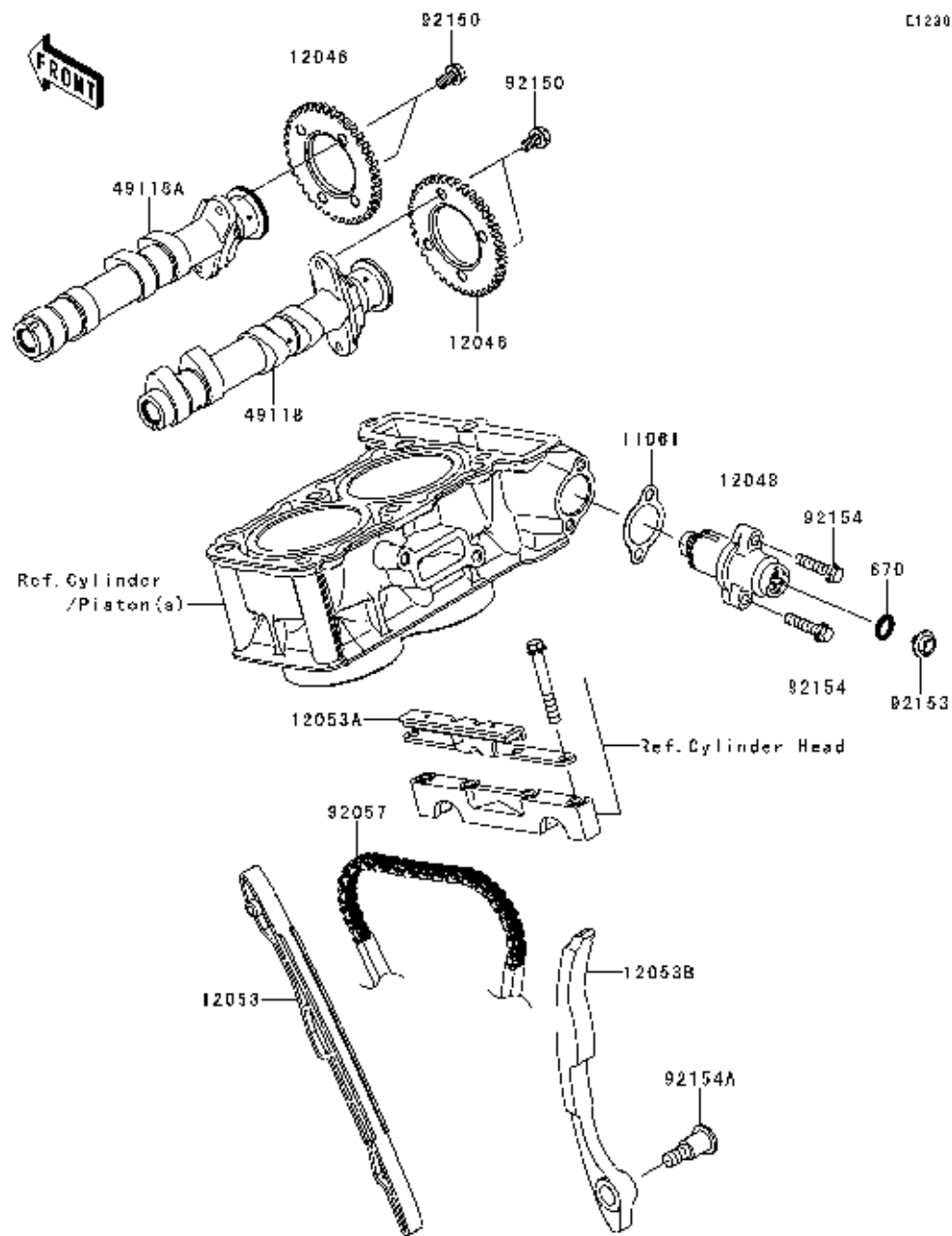
C1210

Ref. No.	BAL Part No.	Description	Spec Code	Quantity		KHI Ref. No.
				'13	ADF	
12004	PB511072	VALVE-INTAKE		4		12004-0716
12005	PB511019	VALVE-EXHAUST		4		12005-0057
12009	PB591013	RETAINER-VALVE SPRING		8		12009-1073
12011	PB591014	COLLET		16		12011-1053
12032	PB591015	TAPPET		8		12032-0008
16007	PB591016	SEAT-SPRING		8		16007-0028
49078	PB511020	SPRING-ENGINE VALVE		8		49078-0077
92049	PB591018	SEAL-OIL, VSB4.37.55.38.3		8		92049-1349
92180	PB591019	SHIM, T=2.50		8		92180-1014
92180A	PB591020	SHIM, T=2.55		AR		92180-1016
92180B	PB591021	SHIM, T=2.60		AR		92180-1018
92180C	PB591022	SHIM, T=2.65		AR		92180-1020
92180D	PB591023	SHIM, T=2.70		AR		92180-1022
92180E	PB591024	SHIM, T=2.75		AR		92180-1024
92180F	PB591025	SHIM, T=2.80		AR		92180-1026
92180G	PB591026	SHIM, T=2.85		AR		92180-1028
92180H	PB591027	SHIM, T=2.90		AR		92180-1030
92180I	PB591028	SHIM, T=2.95		AR		92180-1032
92180J	PB591029	SHIM, T=3.00		AR		92180-1034
92180K	PB591030	SHIM, T=3.05		AR		92180-1036
92180L	PB591031	SHIM, T=3.10		AR		92180-1038
92180M	PB591032	SHIM, T=3.15		AR		92180-1040
92180N	PB591033	SHIM, T=3.20		AR		92180-1042
92180O	PB591034	SHIM, T=3.25		AR		92180-1044
92180P	PB591035	SHIM, T=3.30		AR		92180-1046
92180Q	PB591036	SHIM, T=3.35		AR		92180-1048
92180R	PB591037	SHIM, T=3.40		AR		92180-1050
92180S	PB591038	SHIM, T=3.45		AR		92180-1052
92180T	PB591039	SHIM, T=3.50		AR		92180-1054



This catalog covers:
'13 EX300ADF Engine

GRID NO. **B-9** This grid covers:
Camshaft(s)/Tensioner

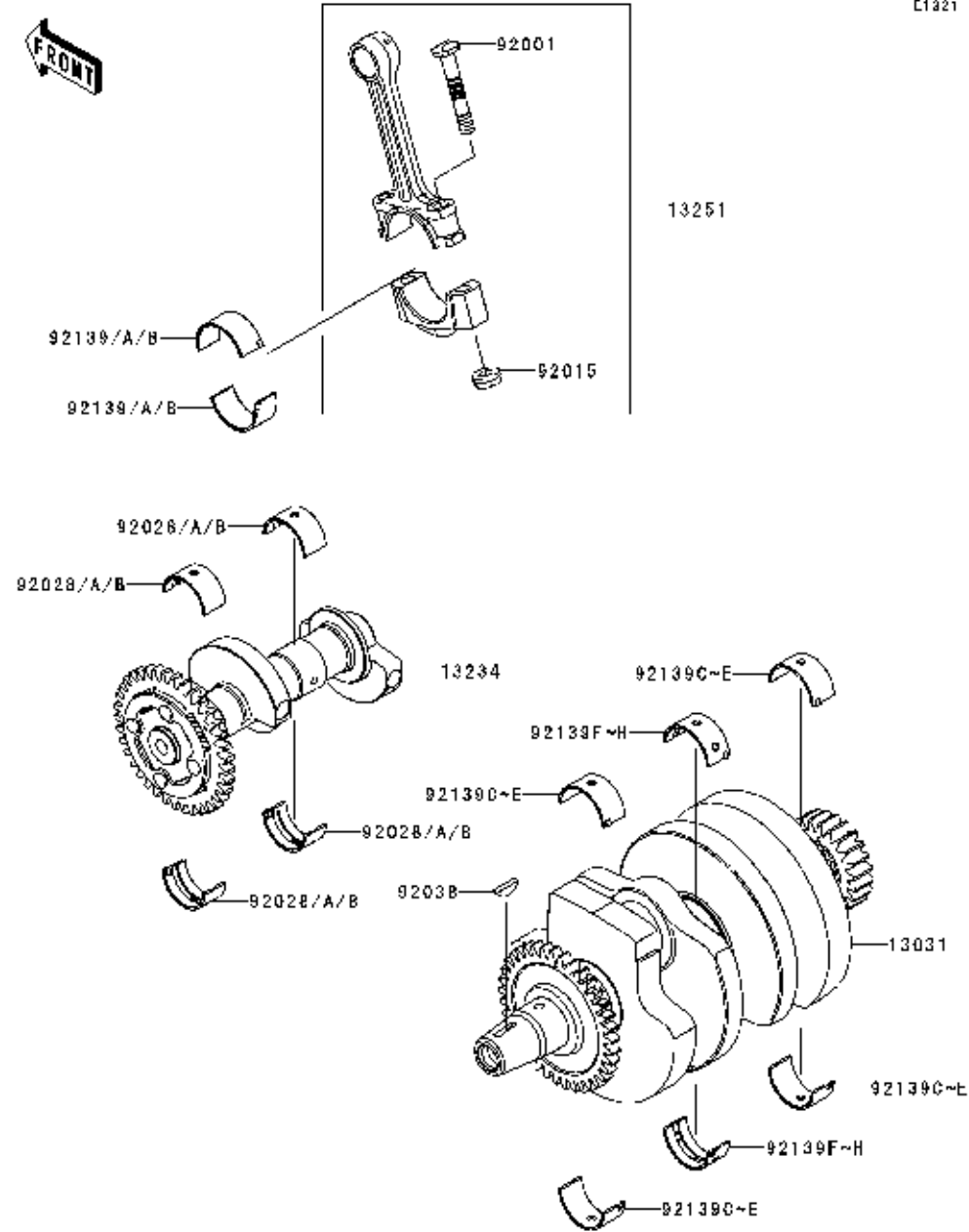


C1230

Ref. No.	BAL Part No.	Description	Spec Code	Quantity		KHI Ref. No.
				'13	ADF	
11061	PB511066	GASKET		1		11061-0792
12046	PB511206	SPROCKET, 38T		2		12046-0072
12048	PB511216	TENSIONER-ASSY		1		12048-0084
12053	PB511204	GUIDE-CHAIN, FR		1		12053-0102
12053A	PB511205	GUIDE-CHAIN, UPP		1		12053-0139
12053B	PB511217	GUIDE-CHAIN, RR		1		12053-0191
49118	PB511218	CAMSHAFT-COMP, INTAKE		1		49118-0742
49118A	PB511219	CAMSHAFT-COMP, EXHAUST		1		49118-0743
92057	PB511220	CHAIN, CAM, 92RH2010-124M		1		92057-0595
92150	PB113978	BOLT, FLANGED, 6X11		4		92150-1725
92153	PB113976	BOLT, FLANGED, 6X6		1		92153-1763
92154	PB114312	BOLT, FLANGED, 6X25		2		92154-0819
92154A	PB231247	BOLT, SOCKET, 8X29.2		1		92154-0953
670	PB511202	O RING		1		670D2010

This catalog covers:
'13 EX300ADF Engine

GRID NO. This grid covers:
B-10 Crankshaft

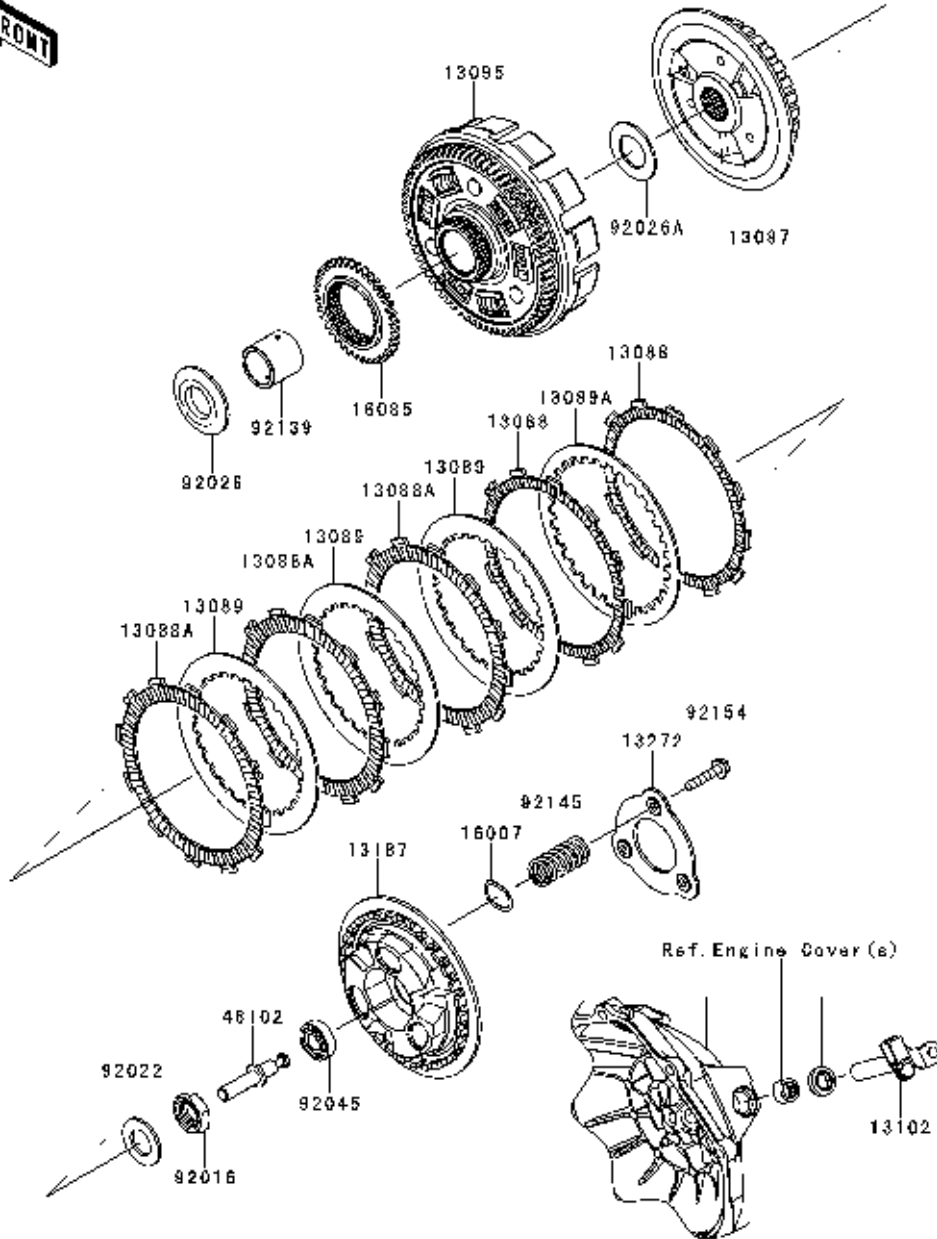


C1321

Ref. No.	BAL Part No.	Description	Spec Code	Quantity		KHI Ref. No.
				'13	ADF	
13031	PB531022	CRANKSHAFT-COMP, BMK, RED		1	13031-0770	
13234	PB531213	SHAFT-COMP, BALANCER		1	13234-0591	
13251	PB531023	ROD-ASSY-CONNECTING, J		2	13251-0037-II	
92001	PB113980	BOLT, CONNECTING ROD, 7MM		4	92001-1793	
92015	PB113981	NUT, CONNECTING ROD, 7MM		4	92015-1527	
92028	PB531201	BUSHING, BALANCER, BLUE		4	92028-1422	
92028A	PB531202	BUSHING, BALANCER, BLACK		AR	92028-1423	
92028B	PB531203	BUSHING, BALANCER, BROWN		AR	92028-1424	
92038	PB113982	KEY, WOODRUFF		1	92038-001	
92139	PB531024	BUSHING, CONNECTING ROD, BLUE		AR	92139-0782	
92139A	PB531025	BUSHING, CONNECTING ROD, BLACK		4	92139-0783	
92139B	PB531026	BUSHING, CONNECTING ROD, BROWN		AR	92139-0784	
92139C	PB531027	BUSHING, CRANK#1, BLUE		AR	92139-0786	
92139D	PB531028	BUSHING, CRANK#1, BLACK		AR	92139-0787	
92139E	PB531029	BUSHING, CRANK#1, YELLOW		4	92139-0788	
92139F	PB531030	BUSHING, CRANK#2, BLUE		AR	92139-0790	
92139G	PB531031	BUSHING, CRANK#2, BLACK		AR	92139-0791	
92139H	PB531032	BUSHING, CRANK#2, YELLOW		2	92139-0792	



C1350

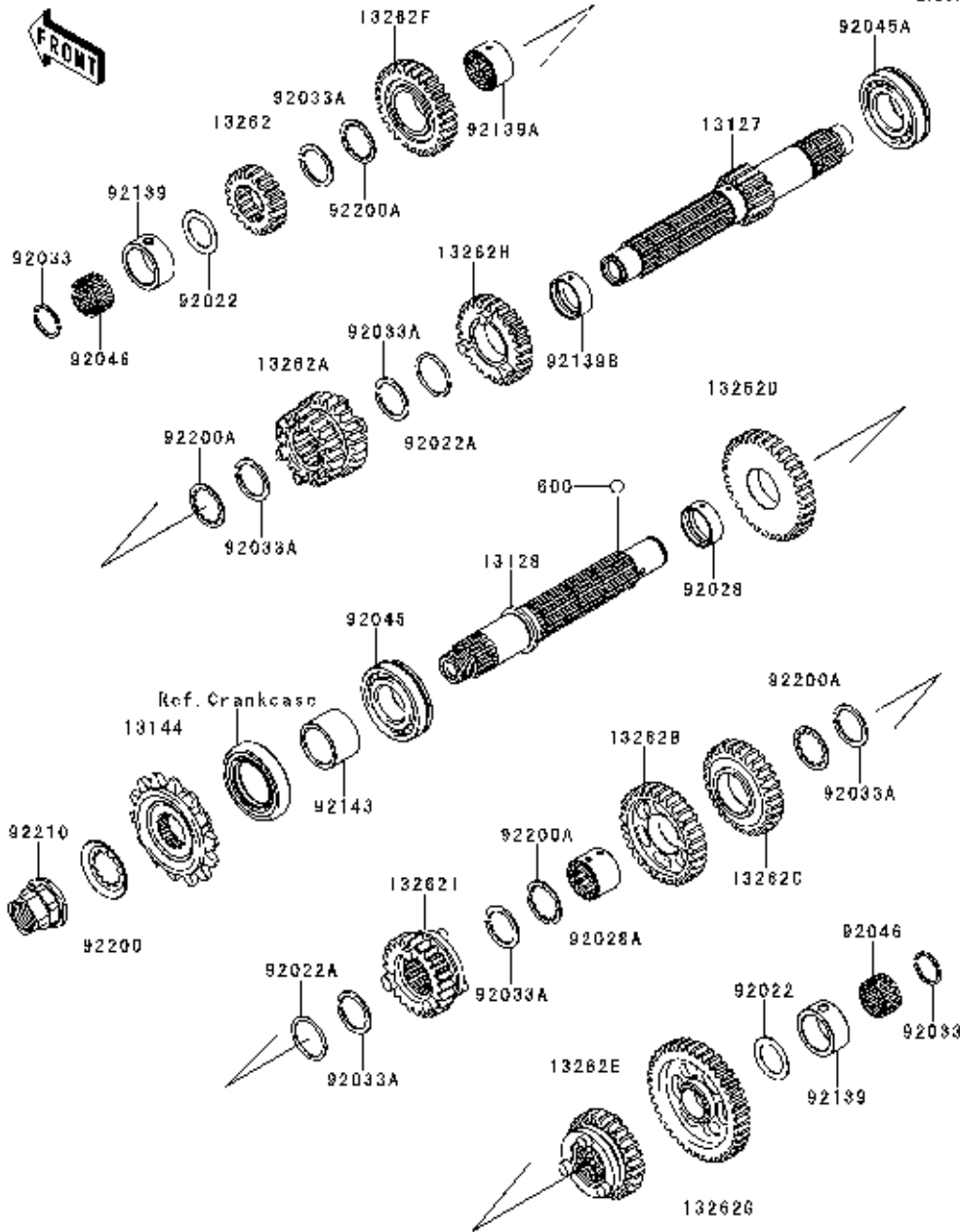


Ref. No.	BAL Part No.	Description	Spec Code	Quantity		KHI Ref. No.
				'13	ADF	
13087	PB551433	HUB-CLUTCH		1		13087-0558
13088	PB551434	PLATE-FRICTION		2		13088-0557
13088A	PB551435	PLATE-FRICTION		3		13088-0558
13089	PB551403	PLATE-CLUTCH		3		13089-0021
13089A	PB551436	PLATE-CLUTCH		1		13089-0558
13095	PB551437	HOUSING-COMP-CLUTCH		1		13095-0561
13102	PB551414	RELEASE-COMP-CLUTCH		1		13102-0040
13187	PB551438	PLATE-CLUTCH OPERATING		1		13187-0553
13272	PB561232	PLATE		1		13272-1303
16007	PB591085	SEAT-SPRING		3		16007-0708
16085	PB551407	GEAR, OIL PUMP DRIVE, 38T		1		16085-0133
46102	PB551440	ROD		1		46102-0573
92016	PB113985	NUT, 20MM		1		92016-028
92022	PB113986	WASHER, 20.3X36X2.3		1		92022-1116
92026	PB551411	SPACER, 25X52X5.5		1		92026-0115
92026A	PB551441	SPACER, 25.5X44.5X2		1		92026-0734
92045	PB113984	BEARING-BALL		1		92045-0067
92139	PB551016	BUSHING, 25X32X29.1		1		92139-0773
92145	PB113213	SPRING		3		92145-0911
92154	PB231253	BOLT, UPSET, 6X30		3		92154-0997

This catalog covers:
'13 EX300ADF Engine

GRID NO. This grid covers:
B-12 Transmission

C1361



Ref. No.	BAL Part No.	Description	Spec Code	Quantity		KHI Ref. No.
				'13	ADF	
13127	PB551011	SHAFT-TRANSMISSION INPUT		1		13127-0645
13128	PB551001	SHAFT-TRANSMISSION OUTPUT		1		13128-0037
13144	PB551002	SPROCKET-OUTPUT, 14T		1		13144-0054
13262	PB551200	GEAR, INPUT 2ND, 19T		1		13262-0461
13262A	PB551203	GEAR, INPUT 3RD&4TH, 22T&25T		1		13262-0464
13262B	PB551207	GEAR, OUTPUT 3RD, 31T		1		13262-0466
13262C	PB551208	GEAR, OUTPUT 4TH, 29T		1		13262-0467
13262D	PB551209	GEAR, OUTPUT 2ND, 34T		1		13262-0468
13262E	PB551211	GEAR, OUTPUT 5TH, 27T		1		13262-0470
13262F	PB551253	GEAR, INPUT TOP, 28T		1		13262-0920
13262G	PB551254	GEAR, OUTPUT LOW, 38T		1		13262-0921
13262H	PB551255	GEAR, INPUT 5TH, 27T		1		13262-0922
13262I	PB551256	GEAR, OUTPUT TOP, 24T		1		13262-0923
92022	PB113998	WASHER, 20.5X30X1, STEEL		2		92022-112
92022A	PB113999	WASHER, 25.3X30X1		2		92022-161
92028	PB551213	BUSHING, 9.4X25X28		1		92028-1564
92028A	PB551214	BUSHING, OUTPUT 3RD&4TH GEAR		1		92028-1858
92033	PB114000	RING-SNAP, 20MM		2		92033-015
92033A	PB114001	RING-SNAP, 24MM		6		92033-026
92045	PB551015	BEARING-BALL, 6TM-6205NX3		1		92045-0735
92045A	PB114002	BEARING-BALL, #6205NX3		1		92045-1013
92046	PB541087	BEARING-NEEDLE, 20X25X12.8		2		92046-0607
92139	PB551003	BUSHING, 25X33X14		2		92139-0293
92139A	PB551017	BUSHING, 26X28X16.6		1		92139-0781
92139B	PB551018	BUSHING, 25X28X10.4		1		92139-0793
92143	PB551215	COLLAR, SPROCKET		1		92143-1968
92200	PB351030	WASHER		1		92200-0851
92200A	PB114004	WASHER		4		92200-1389
92210	PB551006	NUT, M20		1		92210-0605
600	PB114005	BALL-STEEL, 5/32		3		600A0500

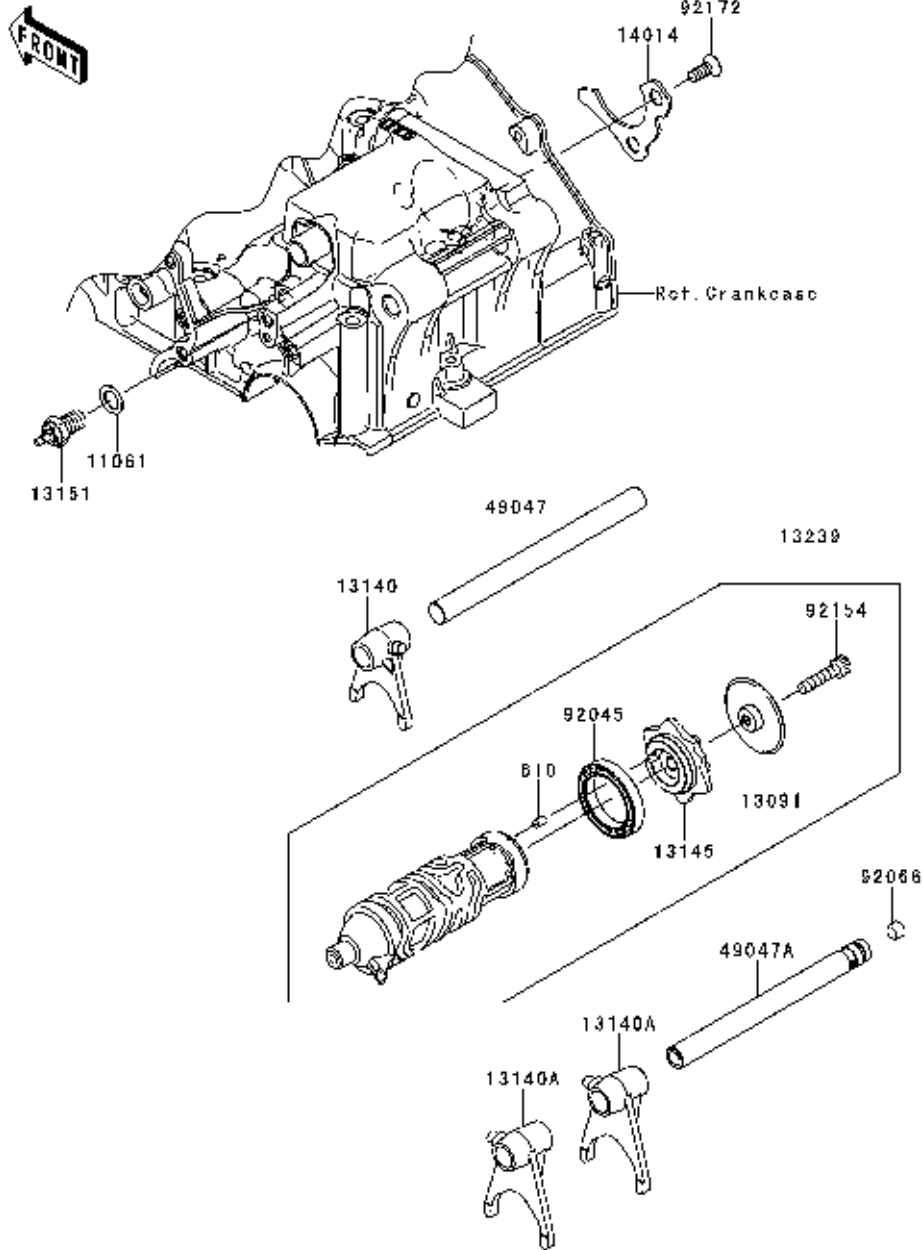
This catalog covers:
'13 EX300ADF Engine

GRID NO.

B-13

This grid covers:

Gear Change Drum/Shift Fork(s)

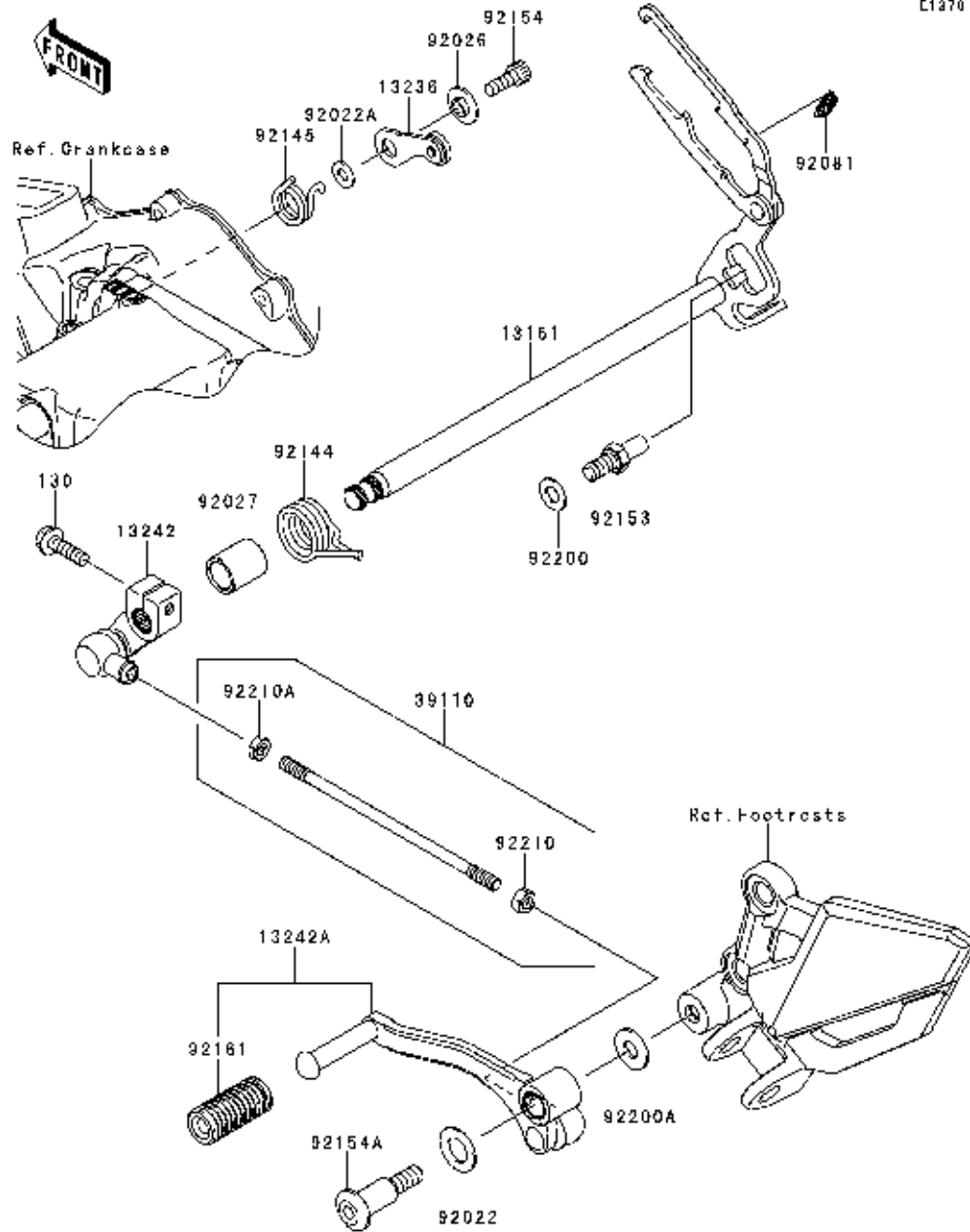


C1782

Ref. No.	BAL Part No.	Description	Spec Code	Quantity		KHI Ref. No.
				'13	ADF	
11061	PB351401	GASKET, 10.5X16X1		1		11061-0373
13091	PB561003	HOLDER, CHANGE DRUM		1		13091-1464
13140	PB561004	FORK-SHIFT, IN		1		13140-1148
13140A	PB561005	FORK-SHIFT, OUT		2		13140-1149
13145	PB561026	CAM-CHANGE DRUM		1		13145-0556
13151	PB351402	SWITCH-COMP, NEUTRAL		1		13151-1102
13239	PB561027	DRUM-ASSY-CHANGE		1		13239-0562
14014	PB551257	PLATE-POSITION		1		14014-0564
49047	PB561235	ROD-SHIFT, IN		1		49047-0625
49047A	PB561236	ROD-SHIFT, OUT		1		49047-0626
92045	PB113994	BEARING-BALL, 6806		1		92045-1152
92066	PB561008	PLUG		1		92066-1246
92154	PB231248	BOLT, SOCKET, 6X25		1		92154-0954
92172	PB131607	SCREW, 6X15		2		92172-0812
610	PB113991	ROLLER, 4X6		1		610A0406

This catalog covers:
'13 EX300ADF Engine

GRID NO. **B-14** This grid covers:
Gear Change Mechanism



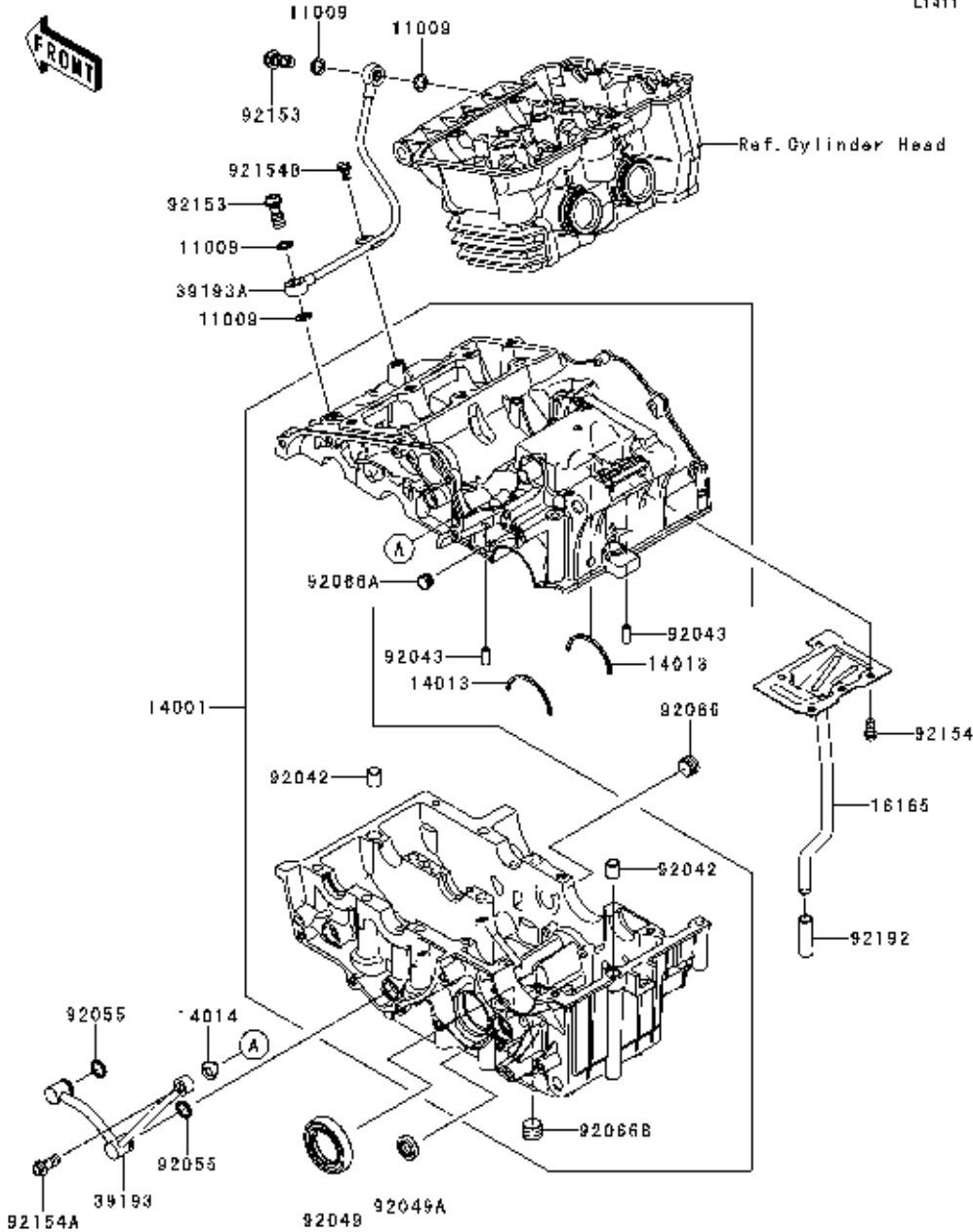
C1370

Ref. No.	BAL Part No.	Description	Spec Code	Quantity		KHI Ref. No.
				'13	ADF	
13161	PB561229	LEVER-COMP-CHANGE SHAFT		1		13161-0560
13236	PB561230	LEVER-COMP		1		13236-0719
13242	PB561406	LEVER-ASSY-CHANGE		1		13242-0087
13242A	PB561407	LEVER-ASSY-CHANGE, PEDAL		1		13242-0088
39110	PB561234	ROD-ASSY-TIE		1		39110-0307
92022	PB114018	WASHER, 12.5X22X1.2		1		92022-072
92022A	PB561215	WASHER, 6X12.8X1.2		1		92022-1827
92026	PB561216	SPACER		1		92026-1217
92027	PB561401	COLLAR, 13X18.3X21.5		1		92027-1440
92081	PB561402	SPRING, CHANGE LEVER		1		92081-076
92144	PB561403	SPRING, CHANGE PEDAL RETURN		1		92144-1074
92145	PB113212	SPRING		1		92145-0895
92153	PB114020	BOLT, 8X15.5		1		92153-1986
92154	PB561223	BOLT, SOCKET, 6X16		1		92154-0235
92154A	PB231260	BOLT		1		92154-1034
92161	PB561237	DAMPER, CHANGE PEDAL		1		92161-1466
92200	PB114021	WASHER, 8.2X16X1		1		92200-0434
92200A	PB114019	WASHER, 8.5X20X1.6		1		92200-0490
92210	PB351034	NUT, 6MM		1		92210-0778
92210A	PB351035	NUT, 6MM		1		92210-0779
130	PB114015	BOLT-FLANGED, 6X20		1		130CB0620

This catalog covers:
'13 EX300ADF Engine

GRID NO. This grid covers:
C-3 Crankcase

C1411

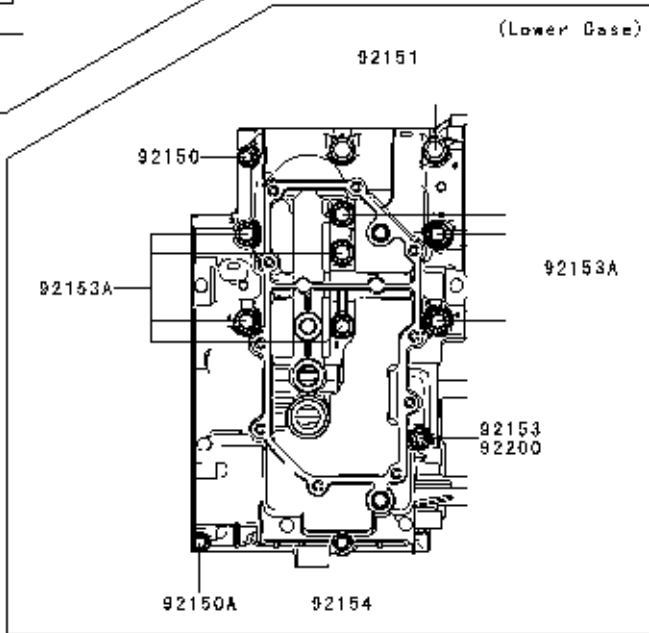
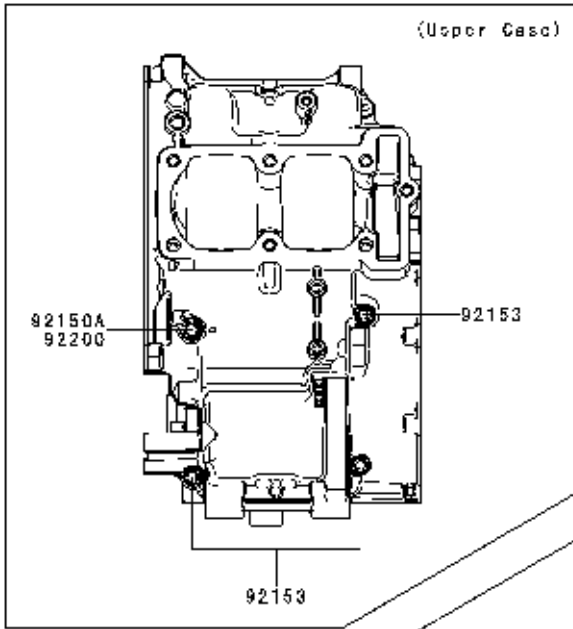


Ref. No.	BAL Part No.	Description	Spec Code	Quantity		KHI Ref. No.
				'13	ADF	
11009	PB541000	GASKET, 10X14.5X1.5		4		11009-1105
14001	PB541083	SET-CRANKCASE		1		14001-0610
14013	PB541005	RING-POSITION		2		14013-004
14014	PB551258	PLATE-POSITION		1		14014-0565
16165	PB541084	SEPARATOR		1		16165-0010
39193	PB541085	PIPE-OIL		1		39193-0571
39193A	PB541086	PIPE-OIL, CASE-HEAD		1		39193-0572
92042	PB114024	PIN, DOWEL, 12X14		2		92042-031
92043	PB114033	PIN, 3.5X6X16		2		92043-1309
92049	PB131240	SEAL-OIL, 32X52X10		1		92049-0731
92049A	PB541013	SEAL-OIL		1		92049-1559
92055	PB611012	RING-O, 11.8X2.4		2		92055-0733
92066	PB541045	PLUG, PT3/8X10		1		92066-0003
92066A	PB541090	PLUG		1		92066-1110
92066B	PB541004	PLUG, PT3/8X12		1		92066-1252
92153	PB114037	BOLT, OIL, L=23		2		92153-0627
92154	PB231235	BOLT, FLANGED, 6X14		5		92154-0777
92154A	PB231249	BOLT, FLANGED, 8X20		1		92154-0957
92154B	PB231409	BOLT, FLANGED, 6X10		1		92154-1065
92192	PB541068	TUBE, 9X12X38		1		92192-0225

This catalog covers:
'13 EX300ADF Engine

GRID NO. C-4 This grid covers:
Crankcase Bolt Pattern

C1412

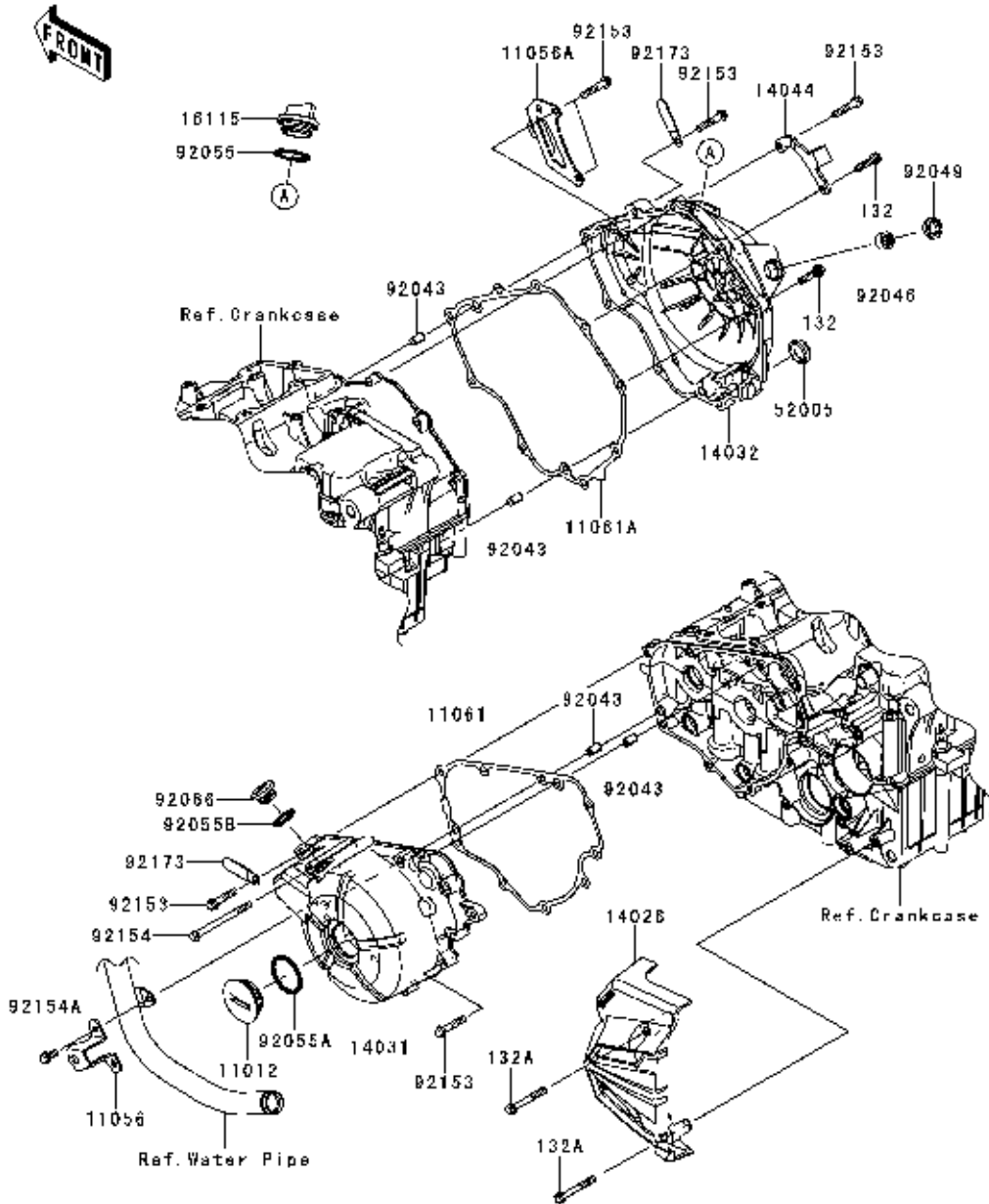


Ref. No.	BAL Part No.	Description	Spec Code	Quantity		KHI Ref. No.
				'13	ADF	
92150	PB541048	BOLT, 6X38		1		92150-1301
92150A	PB231223	BOLT, 6X60		2		92150-1548
92151	PB114025	BOLT, 8X73		2		92151-1462
92153	PB231230	BOLT, 6X85, WHITE		4		92153-0927
92153A	PB114028	BOLT, FLANGED, 8X90		7		92153-1632
92154	PB231414	BOLT, FLANGED, 6X135		1		92154-1189
92200	PB351027	WASHER, 6.3X13.5X1		2		92200-0788

This catalog covers:
'13 EX300ADF Engine

GRID NO. C-5 This grid covers:
Engine Cover(s)

C1431



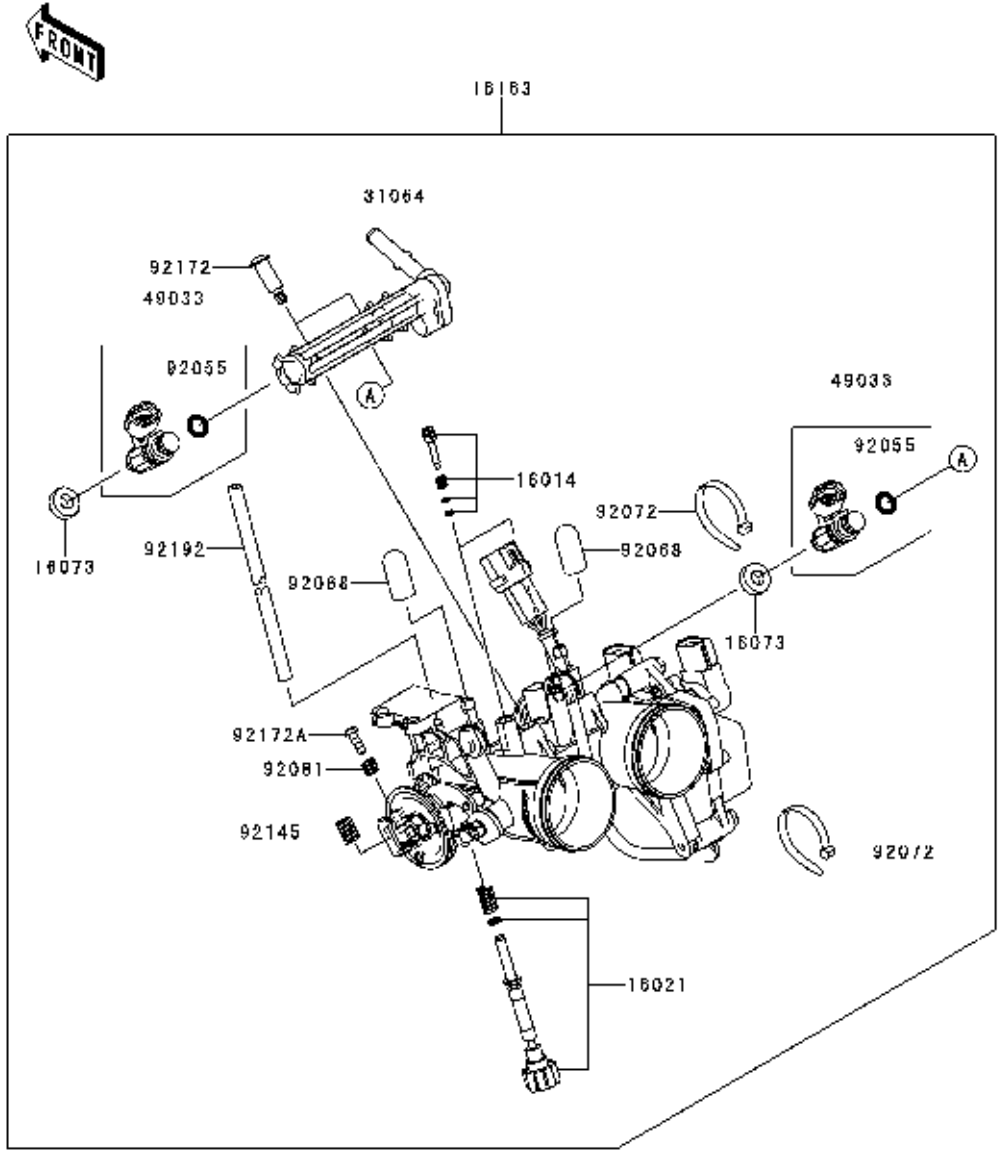
Ref. No.	BAL Part No.	Description	Spec Code	Quantity		KHI Ref. No.
				'13	ADF	
11012	PB541206	CAP		1		11012-1362
11056	PB114324	BRACKET		1		11056-1637
11056A	PB114325	BRACKET		1		11056-1638
11061	PB511067	GASKET, GENERATOR COVER		1		11061-0793
11061A	PB511070	GASKET, CLUTCH COVER		1		11061-0854
14026	PB541256	COVER-CHAIN		1		14026-0096
14031	PB541257	COVER-GENERATOR		1		14031-0562
14032	PB541258	COVER-CLUTCH		1		14032-0579
14044	PB551439	HOLDER-CABLE		1		14044-0049
16115	PB541203	CAP-OILFILLER		1		16115-1068
52005	PB541204	GAUGE, OIL LEVEL		1		52005-1009
92043	PB114039	PIN, 6.2X8X14		4		92043-1263
92046	PB541235	BEARING-NEEDLE, HK1210FM		1		92046-0034
92049	PB541205	SEAL-OIL		1		92049-1560
92055	PB114041	RING-O, 31.5X2.6		1		92055-049
92055A	PB611013	RING-O, 39.4X3.1		1		92055-0734
92055B	PB114035	RING-O, 20X2		1		92055-1146
92066	PB151027	PLUG		1		92066-0748
92153	PB114042	BOLT, 6X30		15		92153-0832
92154	PB231250	BOLT, FLANGED-SMALL, 6X75		1		92154-0960
92154A	PB231411	BOLT, FLANGED, 6X12		2		92154-1140
92173	PB114130	CLAMP, L=45		2		92173-0194
132	PB114038	BOLT-FLANGED-SMALL, 6X25		2		132BB0625
132A	PB114061	BOLT-FLANGED-SMALL, 6X45		2		132BB0645

This catalog covers:
'13 EX300ADF Engine

GRID NO. This grid covers:
C-6 Throttle

C1510

Ref. No.	BAL Part No.	Description	Spec Code	Quantity		KHI Ref. No.
				'13		
				ADF		
16014	PB114104	SCREW-PILOTAIR		2		16014-0002
16021	PB581215	SCREW-THROTTLE STOP		1		16021-0027
16073	PB581218	INSULATOR		2		16073-0129
16163	PB581219	THROTTLE-ASSY, TTK32		1		16163-0746
31064	PB611202	PIPE-COMP, FUEL		1		31064-0164
49033	PB611204	NOZZLE-INJECTION		2		49033-0558
92055	PB601046	RING-O, INJECTION NOZZLE		2		92055-0124
92068	PB541073	PLUG, 12X25		2		92068-006
92072	PB402217	BAND, SUB-HARNES		2		92072-0012
92081	PB114113	SPRING		1		92081-1620
92145	PB114117	SPRING		1		92145-0656
92172	PB114118	SCREW, PIPE INJECTION		2		92172-0064
92172A	PB114119	SCREW		1		92172-0129
92192	PB581228	TUBE, 3X7X200		1		92192-1170

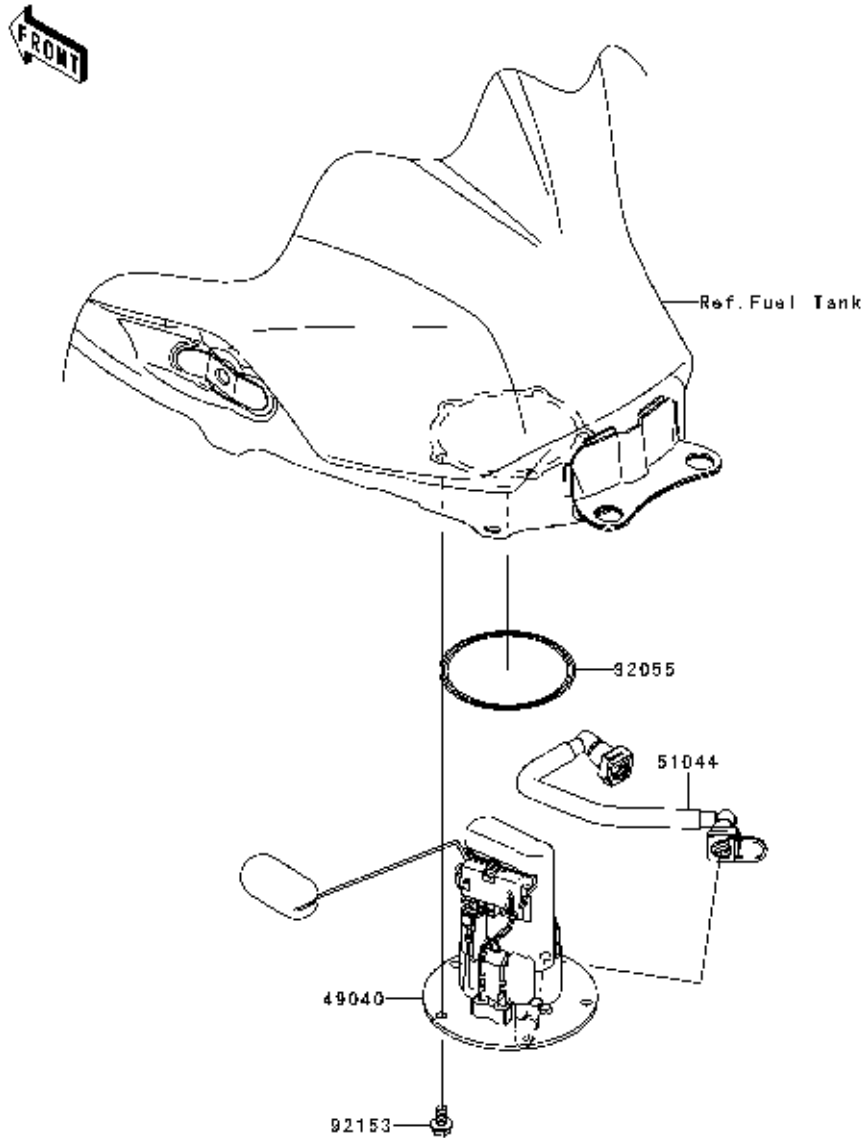


This catalog covers:
'13 EX300ADF Engine

GRID NO. **C-7** This grid covers:
Fuel Pump

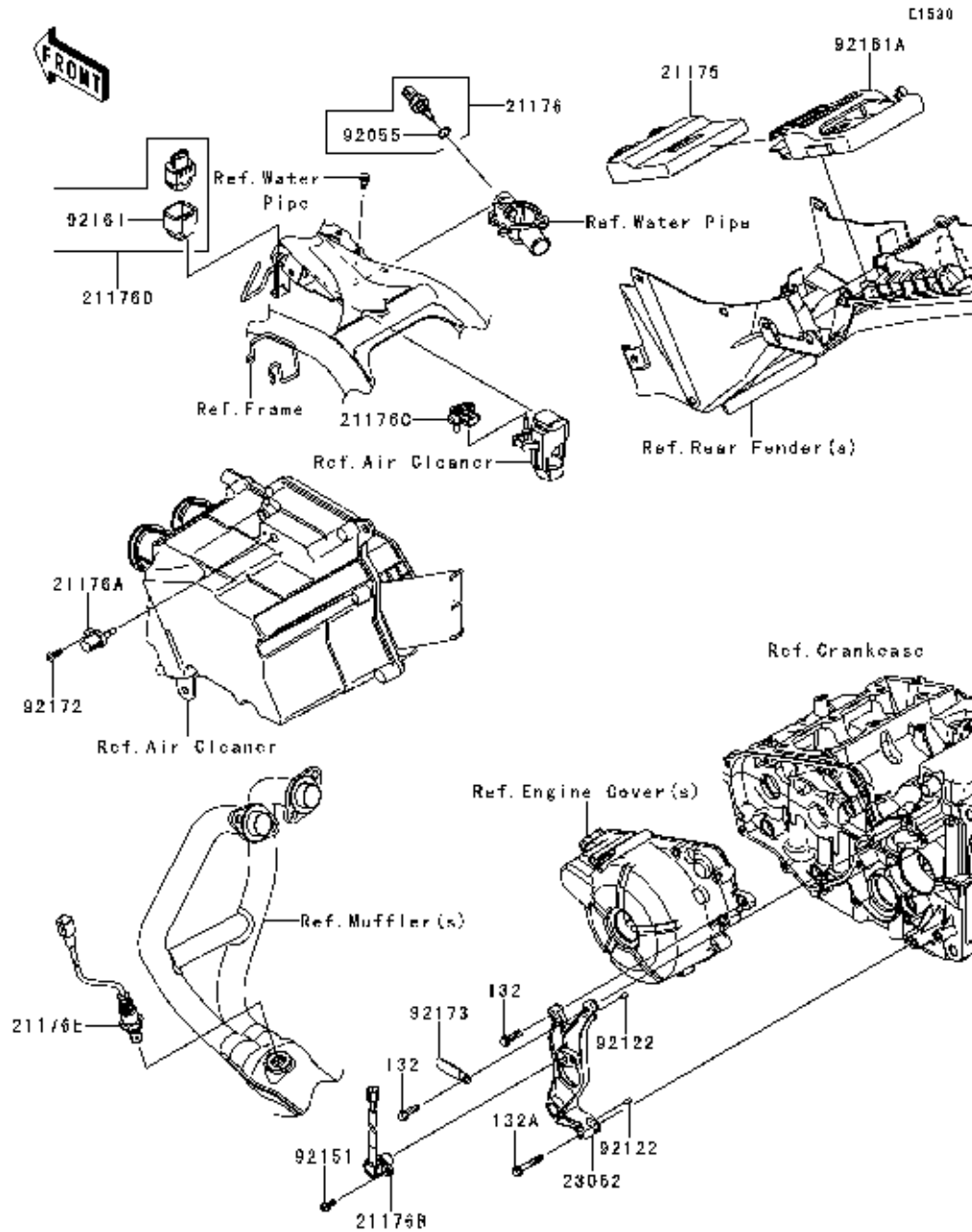
C1520

Ref. No.	BAL Part No.	Description	Spec Code	Quantity		KHI Ref. No.
				'13	ADF	
49040	PB571049	PUMP-FUEL		1		49040-0713
51044	PB171814	TUBE-ASSY		1		51044-0721
92055	PB114176	RING-O, 74.6X5.7		1		92055-0728
92153	PB171803	BOLT, FLANGED, 6X12		5		92153-1295



This catalog covers:
'13 EX300ADF Engine

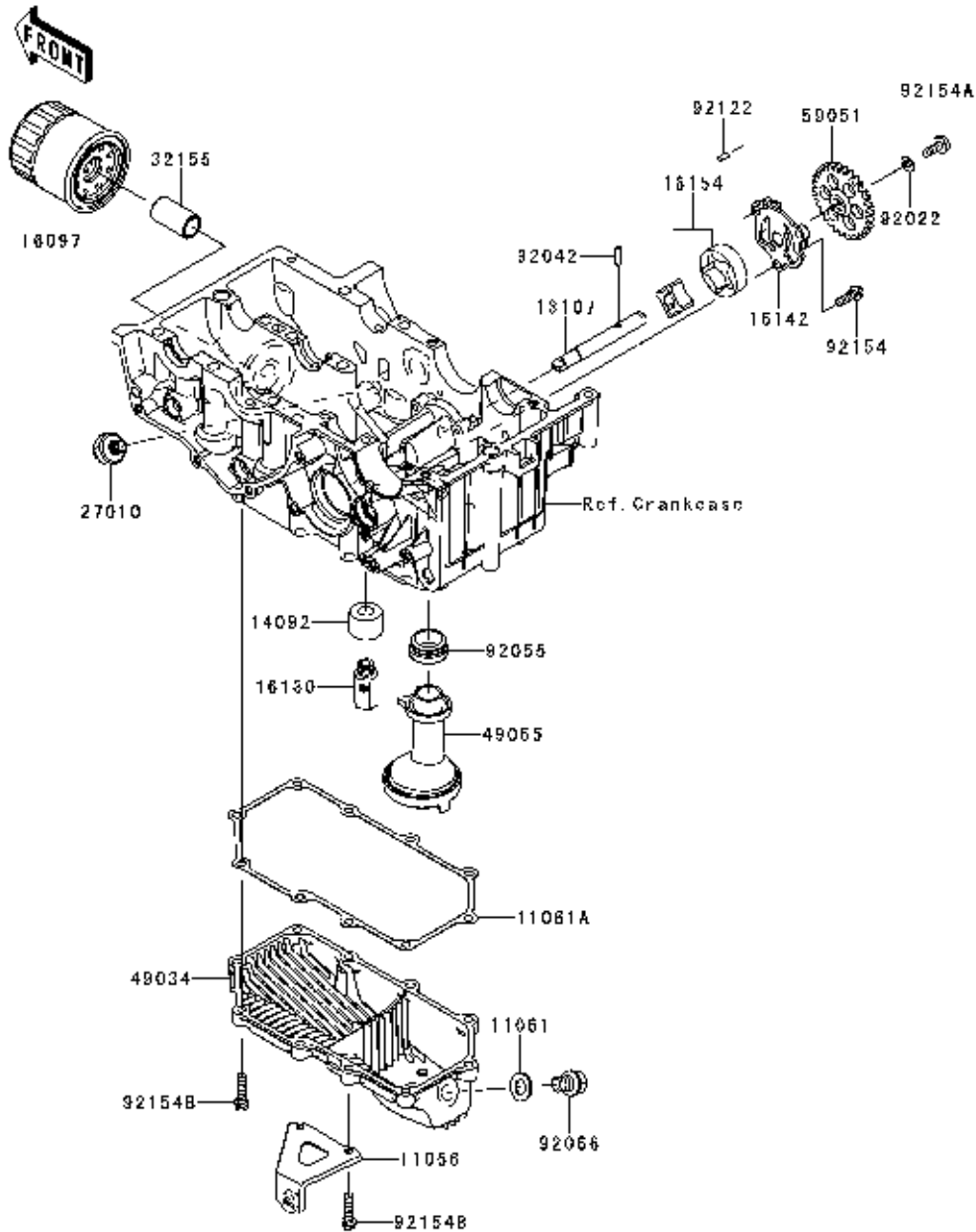
GRID NO. **C-8** This grid covers:
Fuel Injection



Ref. No.	BAL Part No.	Description	Spec Code	Quantity		KHI Ref. No.
				'13	ADF	
21175	PB611010	CONTROL UNIT-ELECTRONIC		1		21175-0773
21176	PB611002	SENSOR, WATER TEMP		1		21176-0009
21176A	PB351406	SENSOR, AIR TEMPERATURE		1		21176-0048
21176B	PB351408	SENSOR, SPEED		1		21176-0065
21176C	PB611005	SENSOR, PRESSURE		1		21176-0111
21176D	PB403600	SENSOR, VEHICLE-DOWN		1		21176-0704
21176E	PB403601	SENSOR, OXYGEN		1		21176-0720
23062	PB191025	BRACKET-COMP		1		23062-0741
92055	PB611006	RING-O, 9.5X1.9		1		92055-0016
92122	PB151028	ROLLER, 4X8		2		92122-0557
92151	PB114056	BOLT, FLANGED, 5X12		1		92151-1305
92161	PB114270	DAMPER		1		92161-0951
92161A	PB401437	DAMPER, ECU		1		92161-1426
92172	PB131606	SCREW, TAPPING, 5X16		1		92172-0790
92173	PB114130	CLAMP, L=45		1		92173-0194
132	PB114219	BOLT-FLANGED-SMALL, 6X20		2		132BA0620
132A	PB231211	BOLT-FLANGED-SMALL, 6X35		1		132BA0635

This catalog covers:
'13 EX300ADF Engine

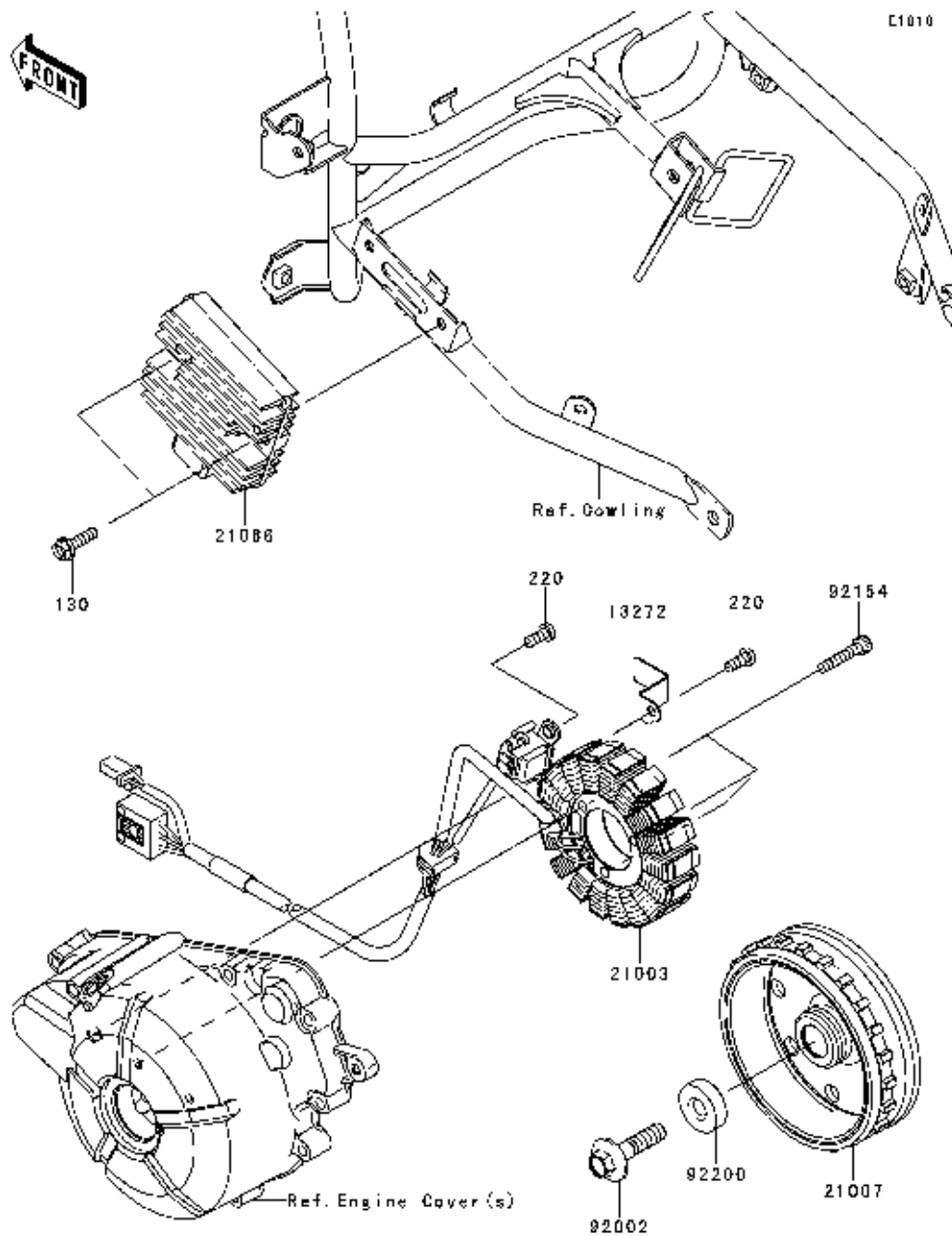
GRID NO. This grid covers:
C-9 Oil Pump



Ref. No.	BAL Part No.	Description	Spec Code	Quantity		KHI Ref. No.
				'13	ADF	
11056	PB114326	BRACKET		1		11056-1640
11061	PB541001	GASKET, 12X22X2		1		11061-0417
11061A	PB511068	GASKET, OIL PAN		1		11061-0794
13107	PB571042	SHAFT		1		13107-0741
14092	PB181385	COVER, RELIEF VALVE		1		14092-1002
16097	PB571024	FILTER-ASSY-OIL		1		16097-0004
16130	PB571045	VALVE-ASSY-RELIEF		1		16130-0002
16142	PB571046	COVER-PUMP		1		16142-0707
16154	PB571048	ROTOR-PUMP		1		16154-0711
27010	PB541024	SWITCH, OIL PRESSURE		1		27010-1313
32155	PB571030	PIPE, OIL FILTER		1		32155-0029
49034	PB571205	PAN-OIL		1		49034-0553
49065	PB571050	FILTER-OIL		1		49065-0711
59051	PB551259	GEAR-SPUR, 30T		1		59051-0721
92022	PB561215	WASHER, 6X12.8X1.2		1		92022-1827
92042	PB571033	PIN, DOWEL, 4X15.8		1		92042-014
92055	PB571034	RING-O, OIL FILTER		1		92055-1354
92066	PB541089	PLUG, OIL DRAIN, 12X15		1		92066-0767
92122	PB151028	ROLLER, 4X8		1		92122-0557
92154	PB231236	BOLT, FLANGED, 6X18		3		92154-0784
92154A	PB231405	BOLT, FLANGED, 6X16		1		92154-1055
92154B	PB231415	BOLT, FLANGED, 6X25		10		92154-1212

This catalog covers:
'13 EX300ADF Engine

GRID NO. This grid covers:
C-10 Generator

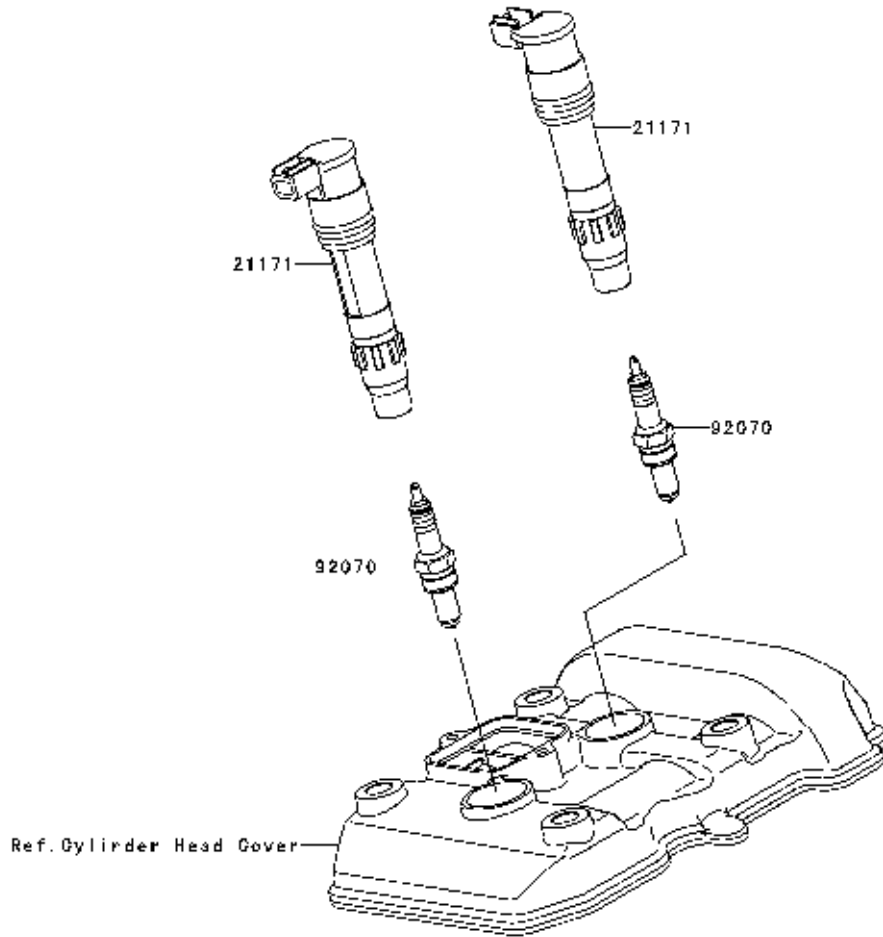


Ref. No.	BAL Part No.	Description	Spec Code	Quantity		KHI Ref. No.
				'13	ADF	
13272	PB561231	PLATE		1		13272-1257
21003	PB351019	STATOR		1		21003-0128
21007	PB351020	ROTOR		1		21007-0569
21066	PB351021	REGULATOR-VOLTAGE		1		21066-0712
92002	PB114084	BOLT, FLANGED, 10X40		1		92002-1296
92154	PB231252	BOLT, SOCKET, 6X30		3		92154-0962
92200	PB351029	WASHER, 10X30X9		1		92200-0790
130	PB601237	BOLT-FLANGED, 6X22		2		130BA0622
220	PB231212	SCREW-PAN-CROS, 6X14		2		220AA0614



C1930

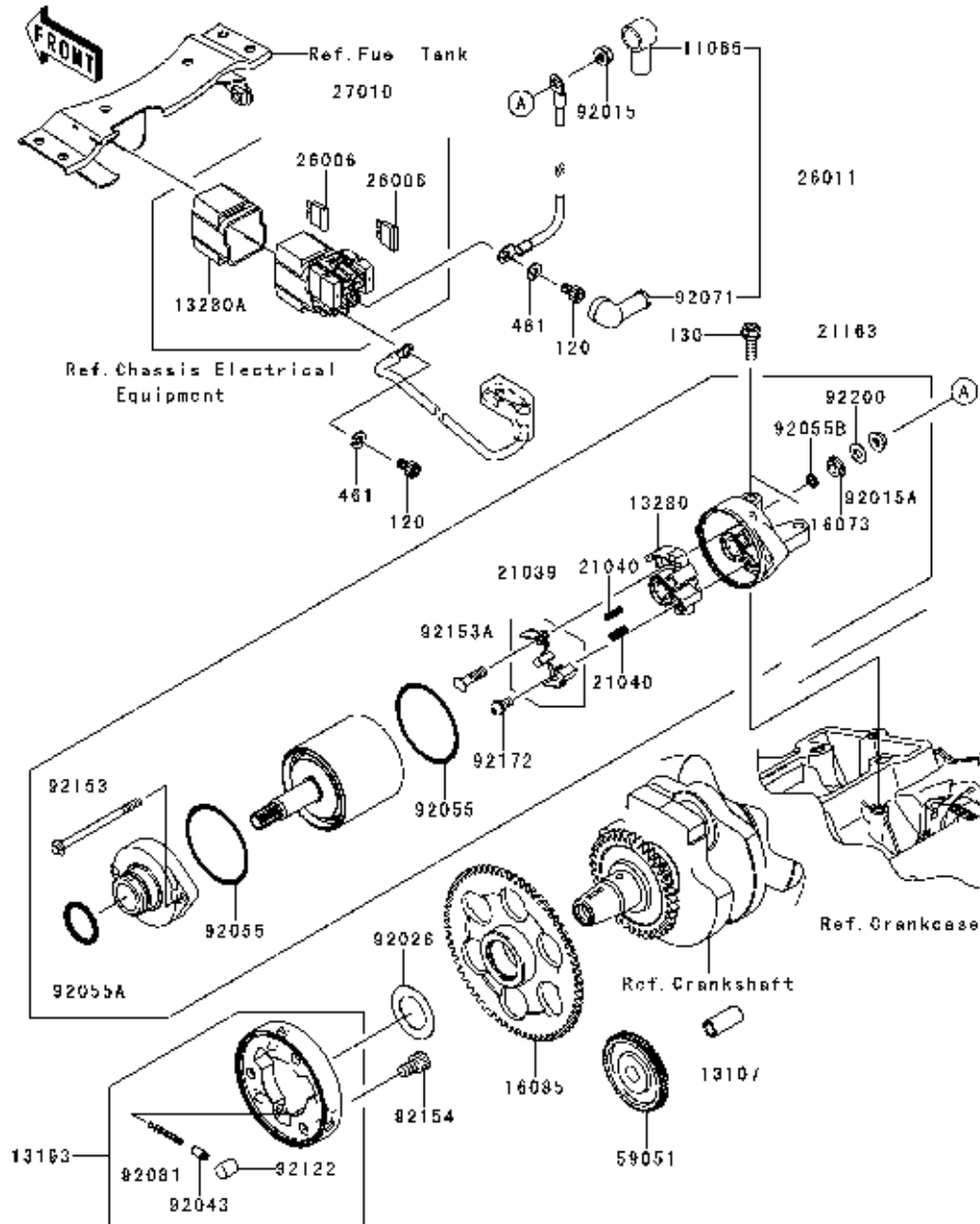
Ref. No.	BAL Part No.	Description	Spec Code	Quantity		KHI Ref. No.
				'13	ADF	
21171	PB351204	COIL-ASSY-IGNITION		2		21171-0033
92070	PB351201	PLUG-SPARK, CR8E (NGK)		2		92070-0031



This catalog covers:
'13 EX300ADF Engine

GRID NO. **C-12** This grid covers:
Starter Motor

C1040

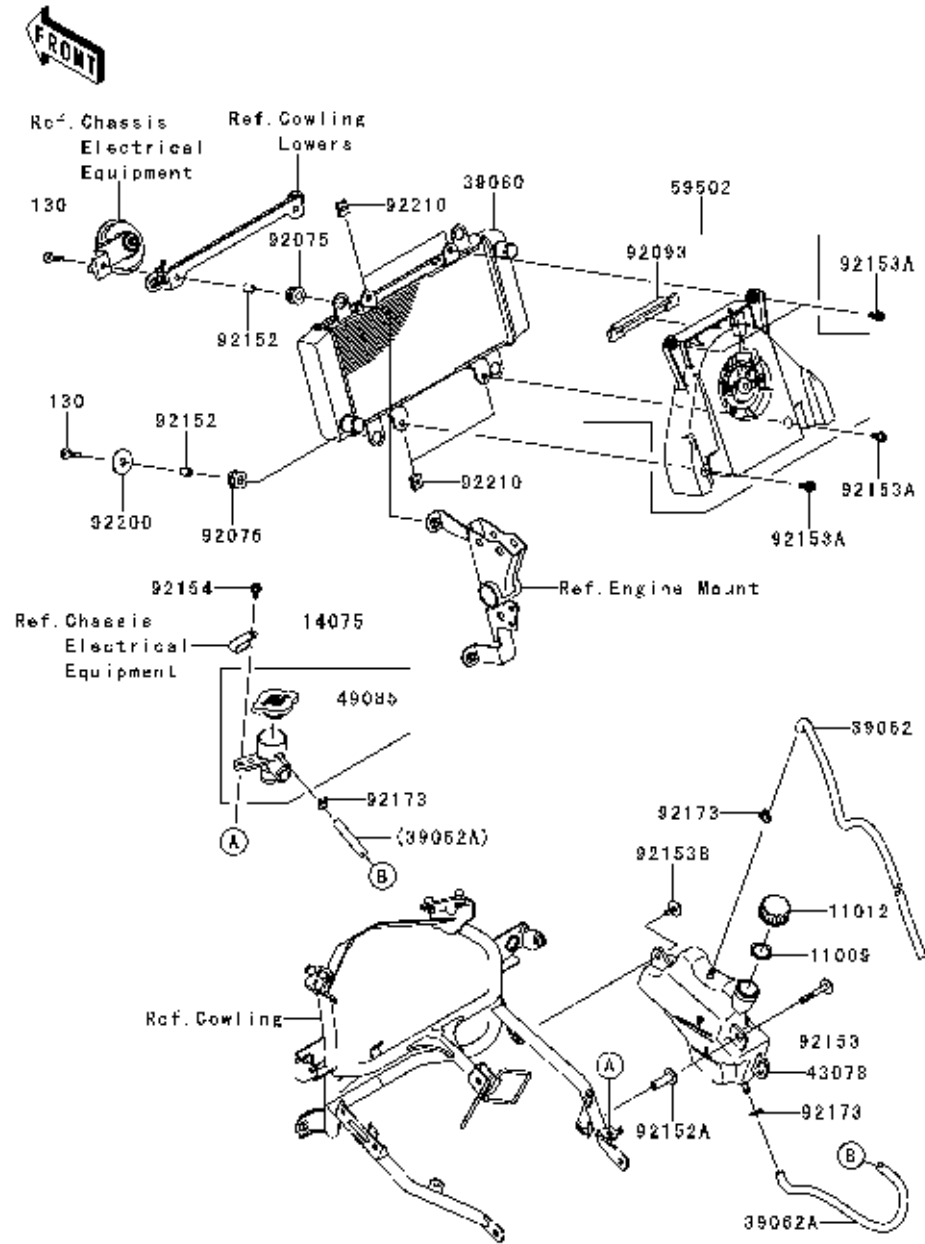


Ref. No.	BAL Part No.	Description	Spec Code	Quantity		KHI Ref. No.
				'13	ADF	
11065	PB402202	CAP		1		11065-0213
13107	PB571044	SHAFT, 7.8X12X26.5		1		13107-0743
13193	PB351601	CLUTCH-ASSY-ONE WAY		1		13193-1002
13280	PB581052	HOLDER		1		13280-0261
13280A	PB351617	HOLDER		1		13280-0301
16073	PB581217	INSULATOR		1		16073-0053
16085	PB351603	GEAR, ONE WAY CLUTCH, 65T		1		16085-1166
21039	PB351634	BRUSH, CARBON SET		1		21039-0005
21040	PB351621	SPRING-BRUSH		2		21040-0003
21163	PB351635	STARTER-ELECTRIC		1		21163-0717
26006	PB402213	FUSE, BLADE, 30A, GREEN		2		26006-1006
26011	PB401614	WIRE-LEAD, STARTER		1		26011-0808
27010	PB351624	SWITCH, MAGNETIC		1		27010-0099
59051	PB551260	GEAR-SPUR, IDLER		1		59051-0722
92015	PB114099	NUT, FLANGED, 6MM		1		92015-1367
92015A	PB114090	NUT, STARTER MOTOR		1		92015-1476
92026	PB351613	SPACER, 25.2X40X1.0		1		92026-0153
92043	PB114087	PIN		3		92043-132
92055	PB601047	RING-O		2		92055-0136
92055A	PB114093	RING-O		1		92055-1276
92055B	PB114091	RING-O, 4.5X2.0		1		92055-1370
92071	PB402226	GROMMET		1		92071-0705
92081	PB351602	SPRING, COIL		3		92081-159
92122	PB114088	ROLLER		3		92122-006
92153	PB231232	BOLT, SET		2		92153-1851
92153A	PB231233	BOLT		1		92153-1866
92154	PB114100	BOLT, SOCKET, 8X13		3		92154-0175
92172	PB131603	SCREW		1		92172-0334
92200	PB351023	WASHER		1		92200-0386
120	PB351614	BOLT-SOCKET, 6X10		2		120CB0610
130	PB541222	BOLT-FLANGED, 6X20		2		130BA0620
461	PB113878	WASHER-SPRING, 6MM		2		461DA0600

This catalog covers:
'13 EX300ADF Engine

GRID NO. This grid covers:
C-13 Radiator

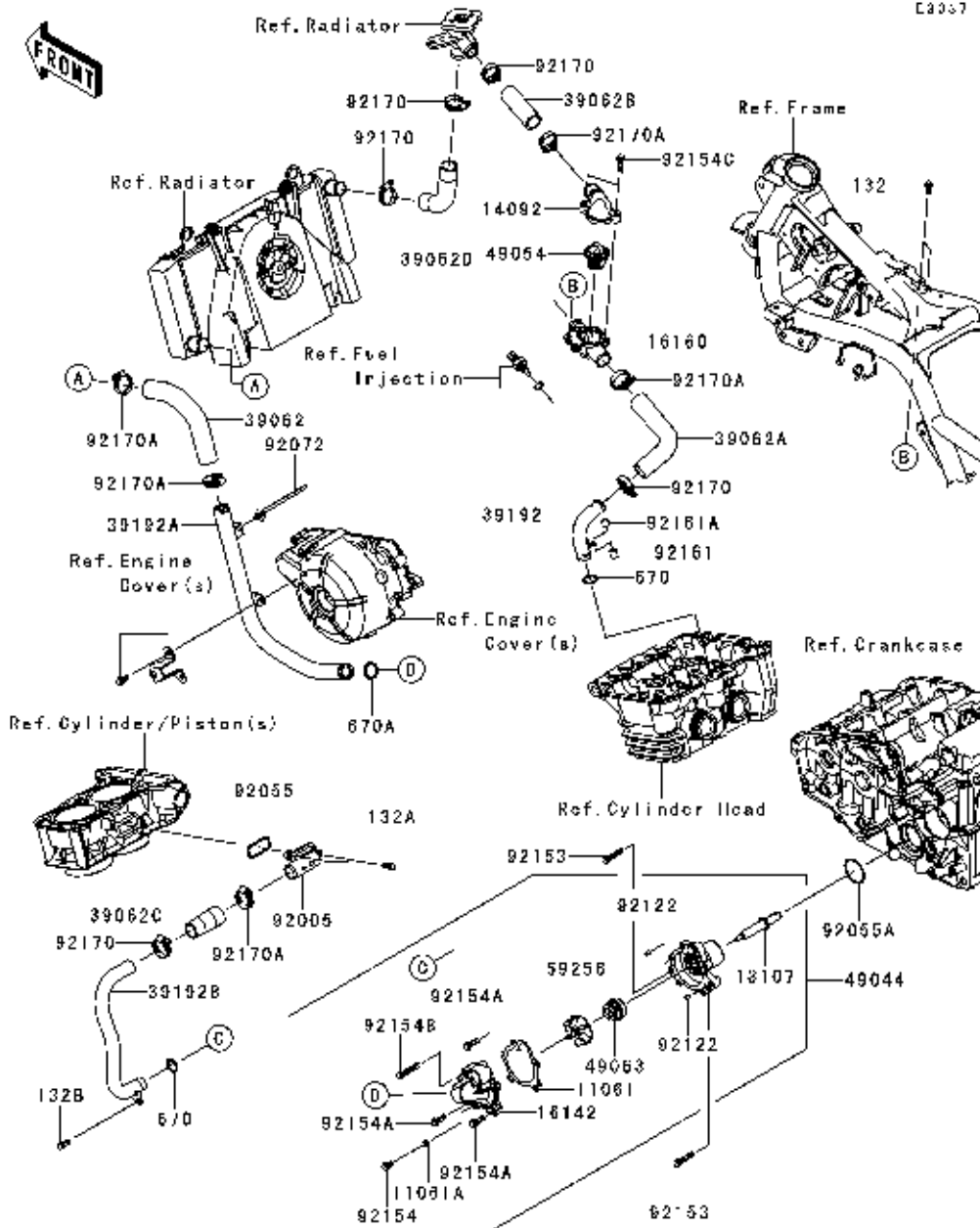
CA302



Ref. No.	BAL Part No.	Description	Spec Code	Quantity		KHI Ref. No.
				'13	ADF	
11009	PB601003	GASKET, RESERVOIR TANK CAP		1		11009-1145
11012	PB601004	CAP		1		11012-1084
14075	PB601205	CAP-ASSY, RADIATOR		1		14075-1061
39060	PB601259	RADIATOR		1		39060-0710
39062	PB601226	HOSE-COOLING, OVERFLOW		1		39062-0335
39062A	PB601262	HOSE-COOLING, RESERVOIR		1		39062-0629
43078	PB601043	RESERVOIR		1		43078-0558
49085	PB601206	CAP-ASSY-PRESSURE		1		49085-1066
59502	PB601265	FAN-ASSY		1		59502-0050
92075	PB171004	DAMPER		4		92075-1690
92093	PB581055	SEAL		1		92093-0587
92152	PB601228	COLLAR, 6.8X10X13		4		92152-0846
92152A	PB131039	COLLAR, L=29		1		92152-1591
92153	PB231227	BOLT, 6X45		1		92153-0003
92153A	PB131228	BOLT		4		92153-0531
92153B	PB114071	BOLT, FLANGED-SMALL, 6X16		1		92153-1798
92154	PB231251	BOLT, UPSET-WP, 6X16		1		92154-0961
92173	PB601011	CLAMP		3		92173-0050
92200	PB351028	WASHER, 6.5X24X1.6		2		92200-0789
92210	PB351038	NUT		4		92210-1323
130	PB231208	BOLT-FLANGED, 6X25		4		130BA0625

This catalog covers:
'13 EX300ADF Engine

GRID NO. This grid covers:
C-14 Water Pipe



Ref. No.	BAL Part No.	Description	Spec Code	Quantity		KHI Ref. No.
				'13	ADF	
11061	PB511069	GASKET			1	11061-0795
11061A	PB511071	GASKET, DRAIN			1	11061-0875
13107	PB571043	SHAFT			1	13107-0742
14092	PB601229	COVER, THERMOSTAT			1	14092-0133
16142	PB571047	COVER-PUMP			1	16142-0708
16160	PB601041	BODY, THERMO, LWR			1	16160-0715
39062	PB601210	HOSE-COOLING, RAD.-W/P			1	39062-0196
39062A	PB601230	HOSE-COOLING, THERMO.-HEAD			1	39062-0337
39062B	PB601231	HOSE-COOLING, THERMO.-CAP			1	39062-0338
39062C	PB601260	HOSE-COOLING, W/P-CYLINDER			1	39062-0603
39062D	PB601261	HOSE-COOLING, RAD.-CAP			1	39062-0607
39192	PB601233	PIPE-WATER			1	39192-0131
39192A	PB601263	PIPE-WATER, RAD.-W/P			1	39192-0564
39192B	PB601264	PIPE-WATER, W/P-CYLINDER			1	39192-0565
49044	PB601044	PUMP-WATER			1	49044-0554
49054	PB351417	THERMOSTAT			1	49054-1056
49063	PB601022	SEAL-MECHANICAL, WATER			1	49063-1055
59256	PB601045	IMPELLER			1	59256-0554
92005	PB601266	FITTING, CYLINDER			1	92005-0737
92055	PB611014	RING-O, 2.4MM			1	92055-0735
92055A	PB611015	RING-O, 34.4X3.1			1	92055-0736
92072	PB402208	BAND			1	92072-1414
92122	PB151028	ROLLER, 4X8			2	92122-0557
92153	PB114042	BOLT, 6X30			2	92153-0832
92154	PB231245	BOLT, FLANGED, 6X10			1	92154-0950
92154A	PB231407	BOLT, FLANGED-SMALL, 6X18			3	92154-1062
92154B	PB231408	BOLT, FLANGED-SMALL, 6X35			1	92154-1063
92154C	PB231415	BOLT, FLANGED, 6X25			2	92154-1212
92161	PB601219	DAMPER, 10X11.5			1	92161-0690
92161A	PB601220	DAMPER, 10X7.5			1	92161-0691
92170	PB601212	CLAMP, COOLING HOSE			5	92170-1033
92170A	PB601213	CLAMP, HOSE, 32MM			5	92170-1286
132	PB131889	BOLT-FLANGED-SMALL, 6X14			2	132BA0614
132A	PB114218	BOLT-FLANGED-SMALL, 6X16			2	132BA0616
132B	PB114079	BOLT-FLANGED-SMALL, 6X12			1	132BB0612
670	PB571014	O RING, 16MM			2	670B2016
670A	PB601218	O RING, 18MM			1	670B2018

This catalog covers:

'13 EX300ADF Chassis

GRID NO.

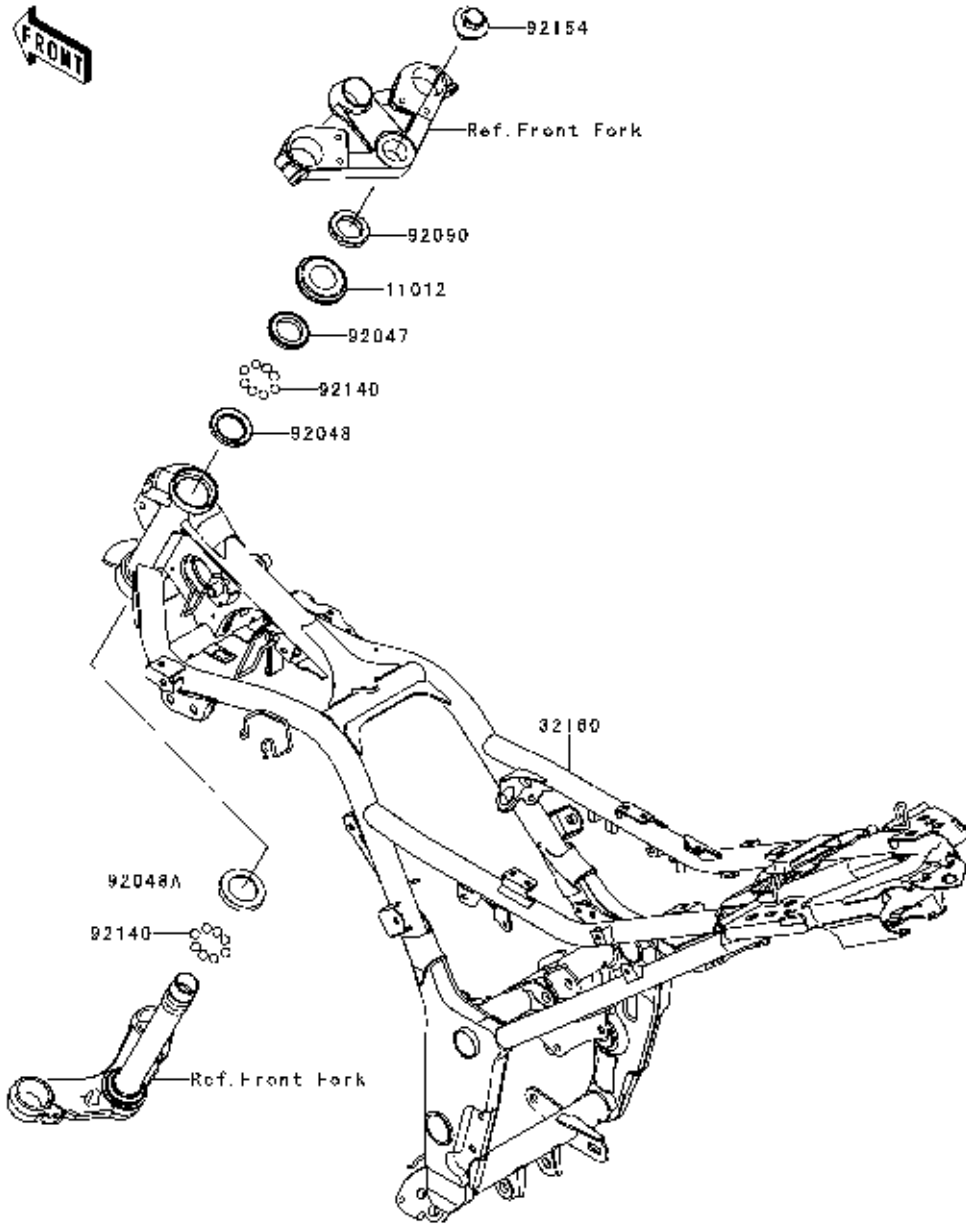
D-3

This grid covers:

Frame

F2120

Ref. No.	BAL Part No.	Description	Spec Code	Quantity		KHI Ref. No.
				'13		
				ADF		
11012	PB121000	CAP, STEERING STEM		1		11012-1898
32160	PB111009	FRAME-COMP, F.S. BLACK		1		32160-0619-18R
92047	PB121001	RACE, STEERING STEM BEARING		1		92047-011
92048	PB121002	RACE, STEERING STEM BEARING		1		92048-006
92048A	PB121003	RACE, STEERING STEM BEARING		1		92048-008
92090	PB114114	NUT, 30MM		1		92090-007
92140	PB113850	BALL, 6.35MM		39		92140-0008
92154	PB231413	BOLT, FLANGED, 6X22		1		92154-1152



This catalog covers:

'13 EX300ADF Chassis

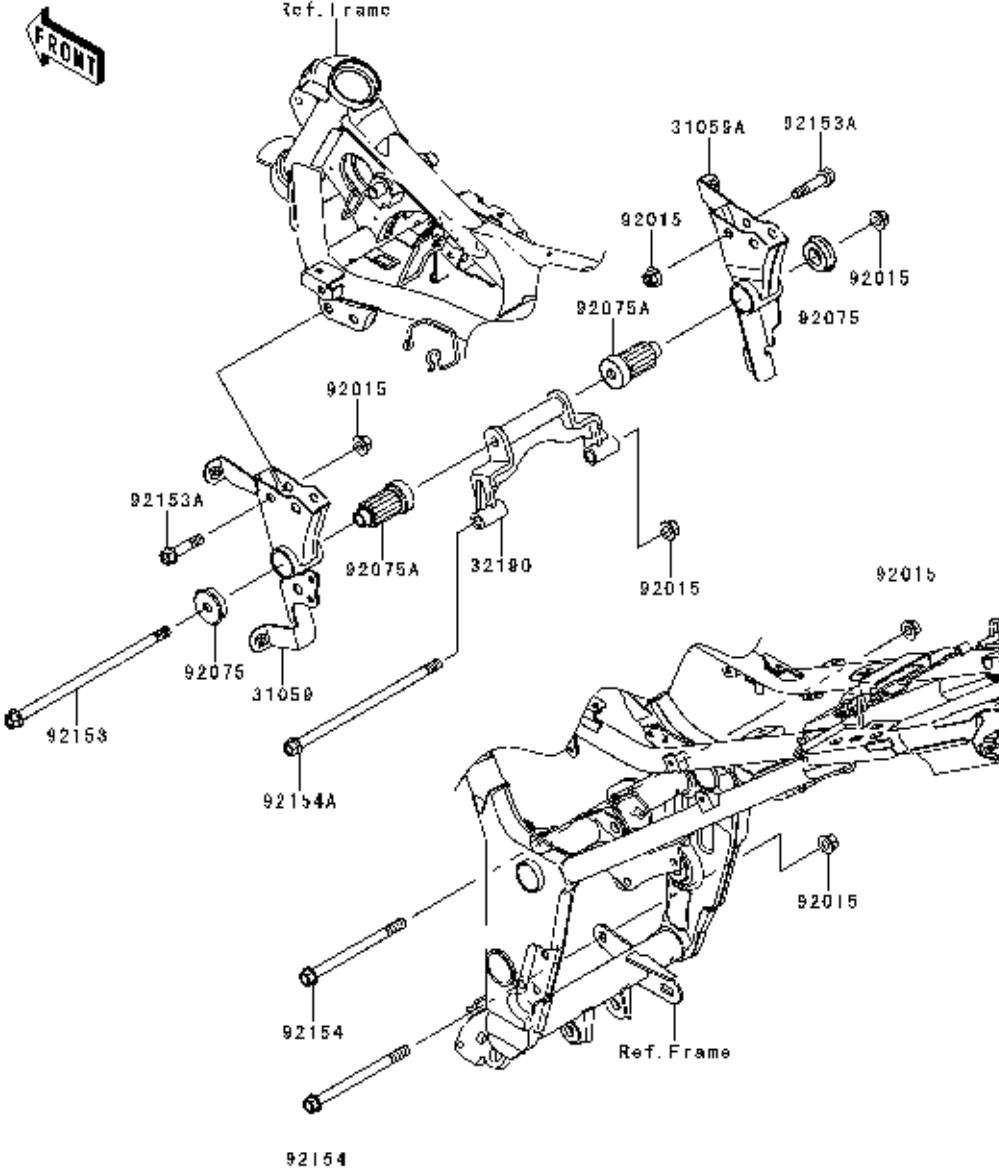
GRID NO.

D-4

This grid covers:

Engine Mount

F2122



Ref. No.	BAL Part No.	Description	Spec Code	Quantity		KHI Ref. No.
				'13	ADF	
31059	PB113418	BRACKET-COMP-ENGINE, LH		1		31059-0061
31059A	PB113419	BRACKET-COMP-ENGINE, RH		1		31059-0062
32190	PB113420	BRACKET-ENGINE		1		32190-0629
92015	PB113900	NUT, FLANGED, 10MM		8		92015-1415
92075	PB111010	DAMPER, ENGINE MOUNT		2		92075-1738
92075A	PB111011	DAMPER, ENGINE MOUNT, MAIN		2		92075-1739
92153	PB131229	BOLT, FLANGED, 10X240		1		92153-0559
92153A	PB113901	BOLT, FLANGED, 10X42		4		92153-1957
92154	PB114131	BOLT, FLANGED, 10X135		2		92154-0359
92154A	PB114132	BOLT, FLANGED, 10X210		1		92154-0360

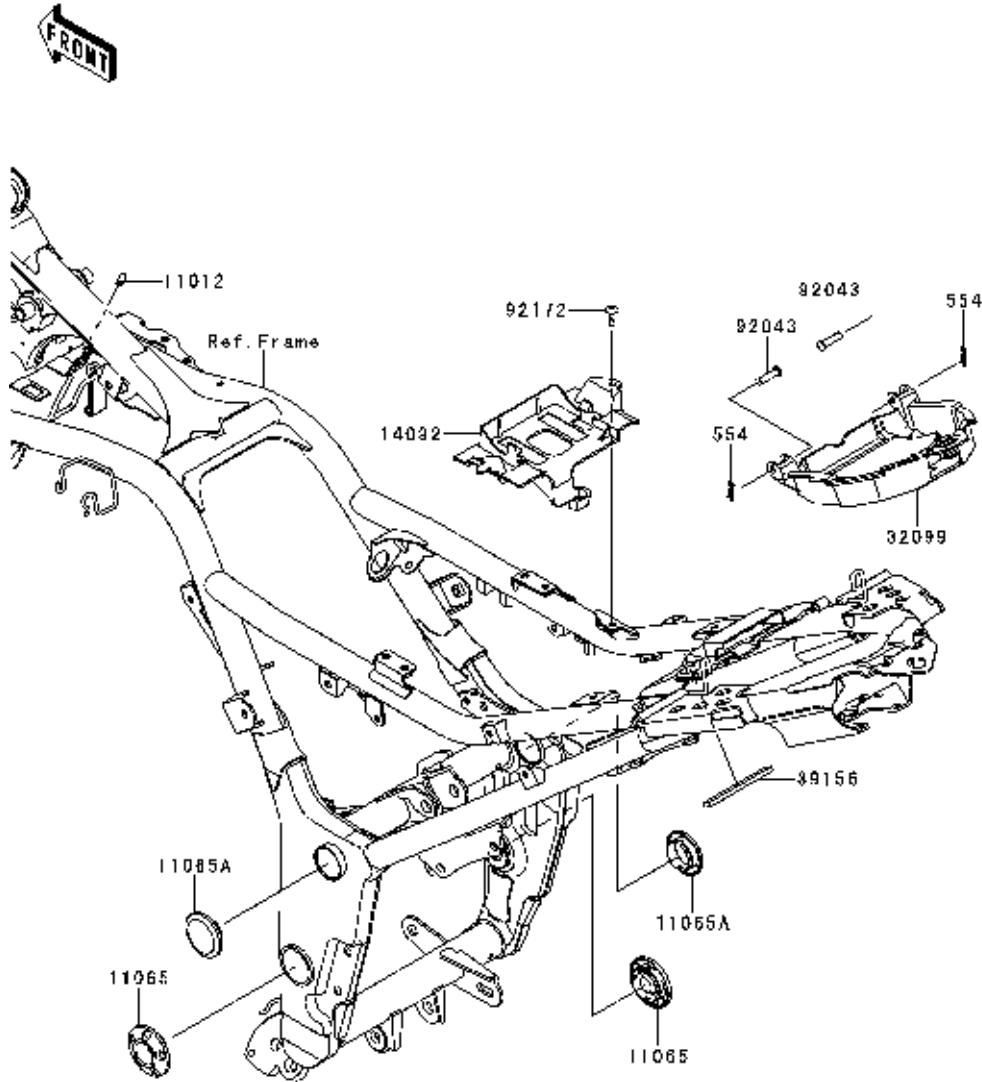
This catalog covers:
'13 EX300ADF Chassis

GRID NO. **D-5** This grid covers:
Frame Fittings

F2131

Ref. No.	BAL Part No.	Description	Spec Code	Quantity		KHI Ref. No.
				'13		
				ADF		

11012	PB541255	CAP		1	11012-1438
11065	PB113895	CAP, SWING ARM BRACKET, BLACK		2	11065-0262-18T
11065A	PB122075	CAP, SWING ARM BRACKET, F.S. BLACK		2	11065-0748-18T
14092	PB181379	COVER, BATTERY		1	14092-0920
32099	PB231037	CASE, TOOL		1	32099-0721
39156	PB591091	PAD, 10X90X4		1	39156-0990
92043	PB231221	PIN, 6X23		2	92043-0746
92172	PB131971	SCREW, 5X16		1	92172-0322
554	PB231214	PIN-SNAP		2	554DA0600



This catalog covers:

'13 EX300ADF Chassis

GRID NO.

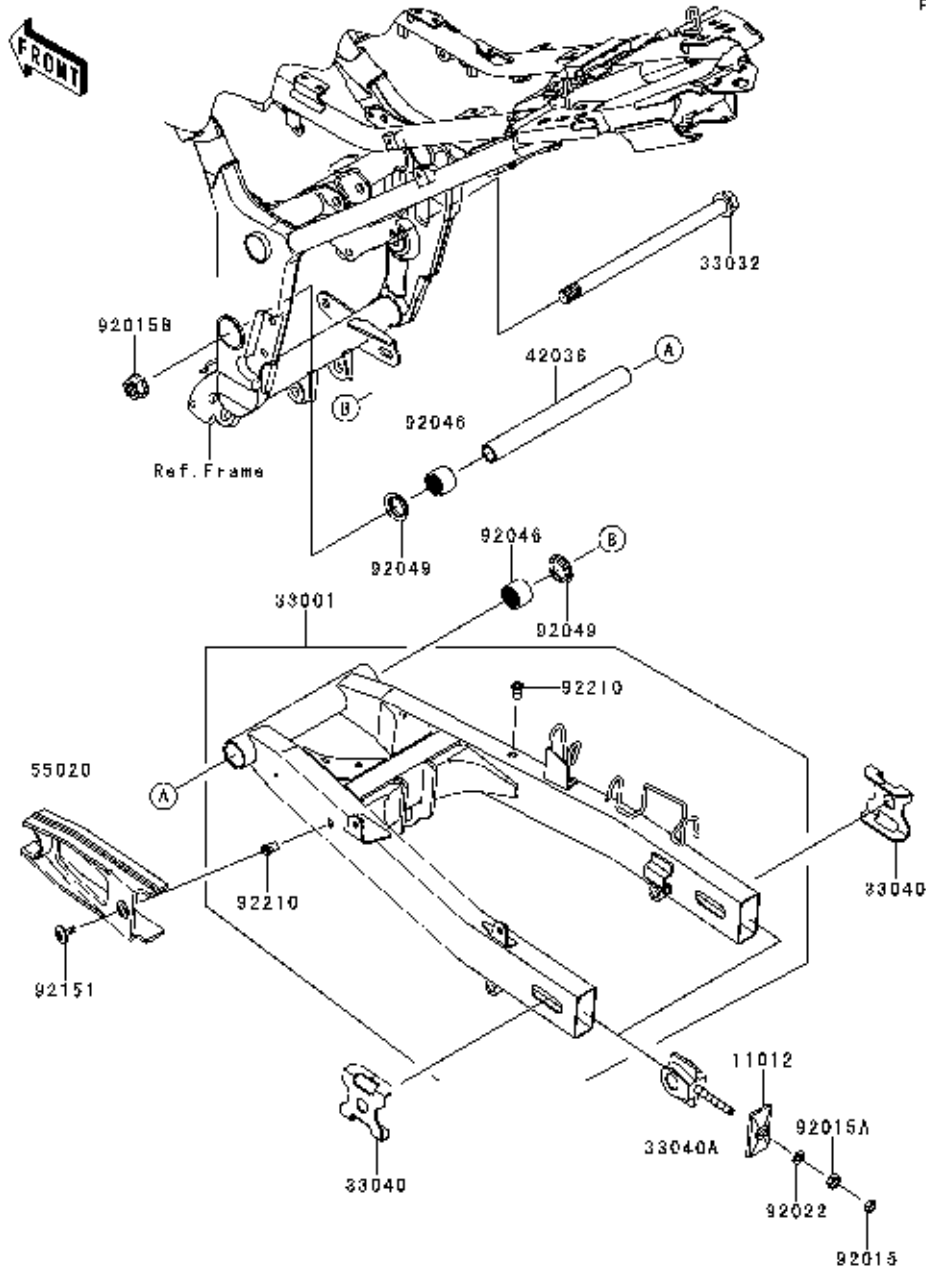
D-6

This grid covers:

Swingarm

F2141

Ref. No.	BAL Part No.	Description	Spec Code	Quantity		KHI Ref. No.
				'13	ADF	
11012	PB122002	CAP, CHAIN ADJUSTER, BLACK		2		11012-1871-18R
33001	PB122077	ARM-COMP-SWING, F.S. BLACK		1		33001-0574-18R
33032	PB122001	SHAFT-SWING ARM		1		33032-1134
33040	PB122003	ADJUSTER-CHAIN, OUTER, BLACK		2		33040-0030-18R
33040A	PB122004	ADJUSTER-CHAIN, INNER		2		33040-1116
42036	PB122005	SLEEVE, 16.1X22X213		1		42036-1218
55020	PB122006	GUARD, CHAIN		1		55020-0317
92015	PB113801	NUT, 8MM		2		92015-1364
92015A	PB113802	NUT, 8MM		2		92015-1658
92015B	PB113804	NUT, FLANGED, 16MM		1		92015-1946
92022	PB113803	WASHER, 8.5X16X1.2		2		92022-1582
92046	PB541088	BEARING-NEEDLE, 22X28X20		2		92046-0610
92049	PB122007	SEAL-OIL, MHA22285.7F		2		92049-1254
92151	PB113806	BOLT, SOCKET, 6X18		1		92151-1149
92210	PB113800	NUT, POP, 6MM, L=15		2		92210-1397

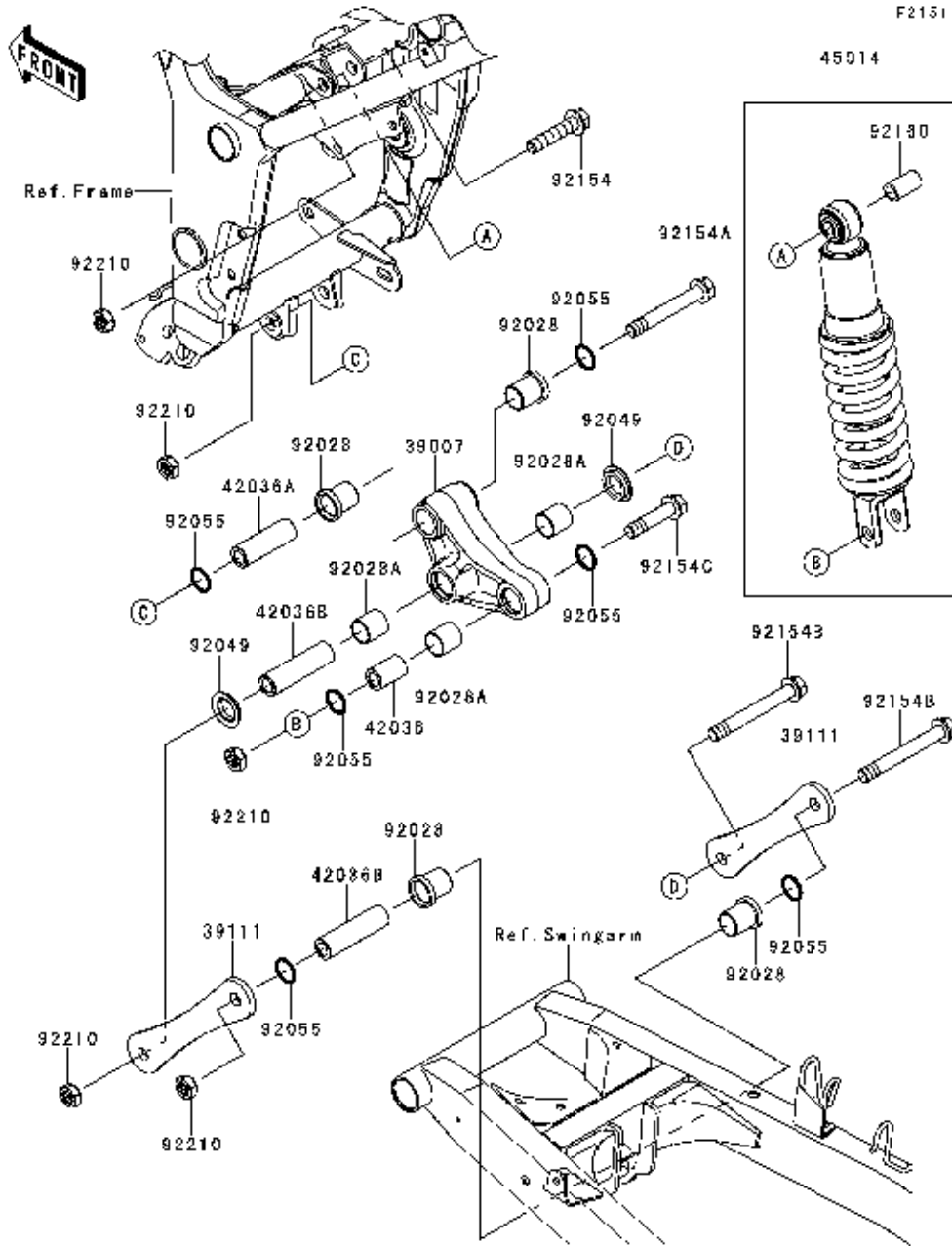


This catalog covers:
'13 EX300ADF Chassis

GRID NO.

D-7

This grid covers:
Suspension/Shock Absorber



Ref. No.	BAL Part No.	Description	Spec Code	Quantity		KHI Ref. No.
				'13		
				ADF		
39007	PB122078	ARM-SUSP, UNITRAK		1		39007-0355
39111	PB122022	ROD-TIE, SUSPENSION		2		39111-0076
42036	PB122010	SLEEVE, 1 2.1X20X32		1		42036-1077
42036A	PB122011	SLEEVE, ARM,FR		1		42036-1078
42036B	PB122012	SLEEVE, 12.1X20X74		2		42036-1102
45014	PB122079	SHOCK ABSORBER, SPG BLK+BODY BLK		1		45014-0365-23J
92028	PB122013	BUSHING		4		92028-1597
92028A	PB122014	BUSHING		3		92028-1598
92049	PB122015	SEAL-OIL, ARM		2		92049-1109
92055	PB611011	RING-O, 19.8X2.2		6		92055-0732
92154	PB114133	BOLT, FLANGED, 12X55		1		92154-0362
92154A	PB231242	BOLT, FLANGED, 12X86		1		92154-0940
92154B	PB231243	BOLT, FLANGED, 12X98		2		92154-0941
92154C	PB231244	BOLT, FLANGED, 12X52		1		92154-0942
92160	PB122017	DAMPER, SHOCK ABSORBER		1		92160-1161
92210	PB113813	NUT, LOCK, 12MM		5		92210-1247

This catalog covers:

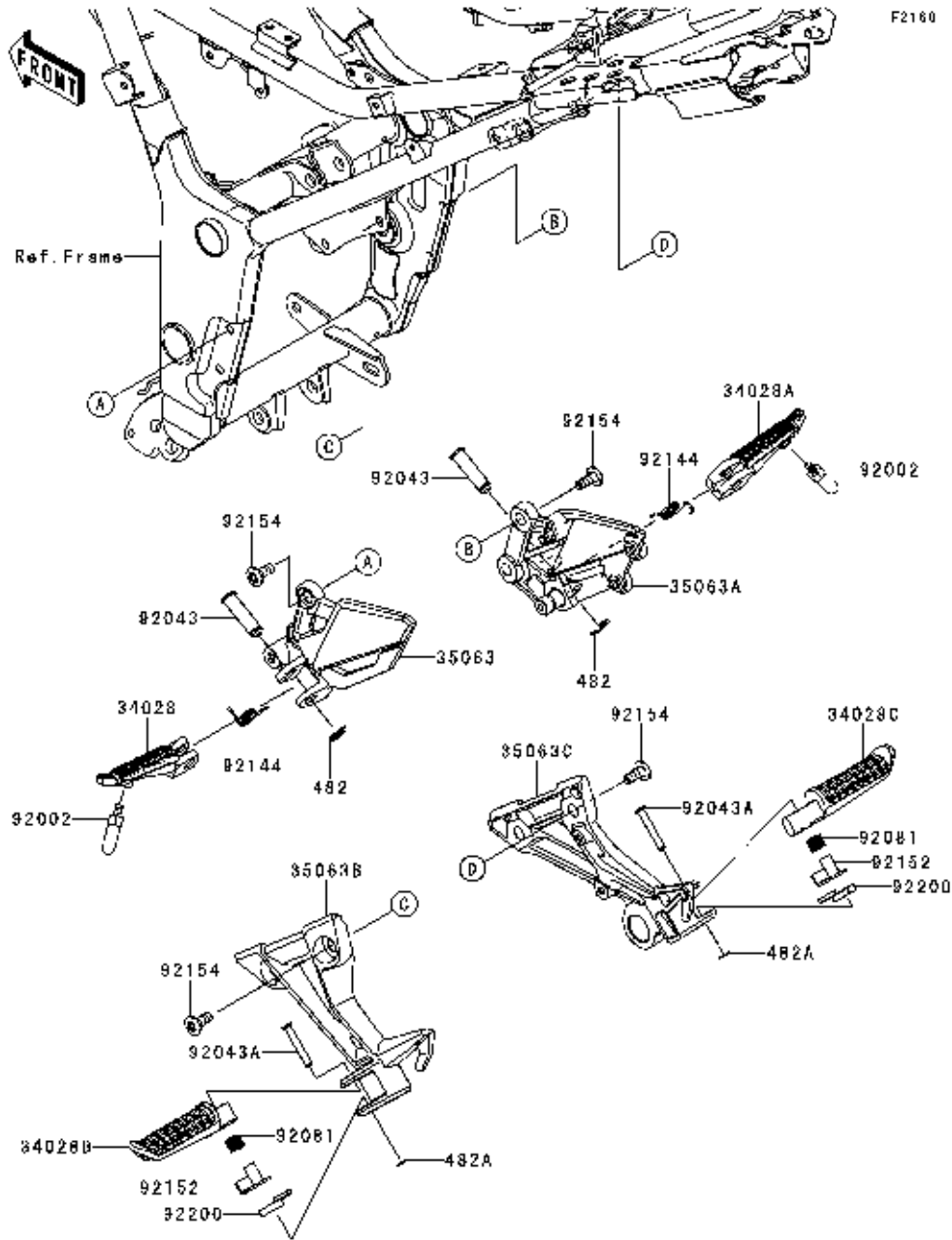
'13 EX300ADF Chassis

GRID NO.

D-8

This grid covers:

Footrests



F2160

Ref. No.	BAL Part No.	Description	Spec Code	Quantity		KHI Ref. No.
				'13	ADF	
34028	PB113055	STEP, FR, LH		1	34028-0318	
34028A	PB113056	STEP, FR, RH		1	34028-0319	
34028B	PB113007	STEP, RR, LH		1	34028-1488	
34028C	PB113011	STEP, RR, RH		1	34028-1489	
35063	PB113057	STAY, STEP HOLDER, FR, LH		1	35063-0839	
35063A	PB113058	STAY, STEP HOLDER, FR, RH		1	35063-0840	
35063B	PB113059	STAY, STEP HOLDER, RR, LH		1	35063-0841	
35063C	PB113060	STAY, STEP HOLDER, RR, RH		1	35063-0842	
92002	PB231217	BOLT, BANK SENSOR		2	92002-1995	
92043	PB113816	PIN, 12X37.5		2	92043-0026	
92043A	PB114134	PIN, 6X40		2	92043-0200	
92081	PB113009	SPRING, STEP, RR		2	92081-1612	
92144	PB113004	SPRING, STEP RETURN		2	92144-1567	
92152	PB113010	COLLAR, STEP		2	92152-0658	
92154	PB231241	BOLT, SOCKET, 8X20		8	92154-0936	
92200	PB351025	WASHER		2	92200-0783	
482	PB113814	CIRCLIP-TYPE-E, 10MM		2	482EA0100	
482A	PB113818	CIRCLIP-TYPE-E		2	482EA5000	

This catalog covers:

'13 EX300ADF Chassis

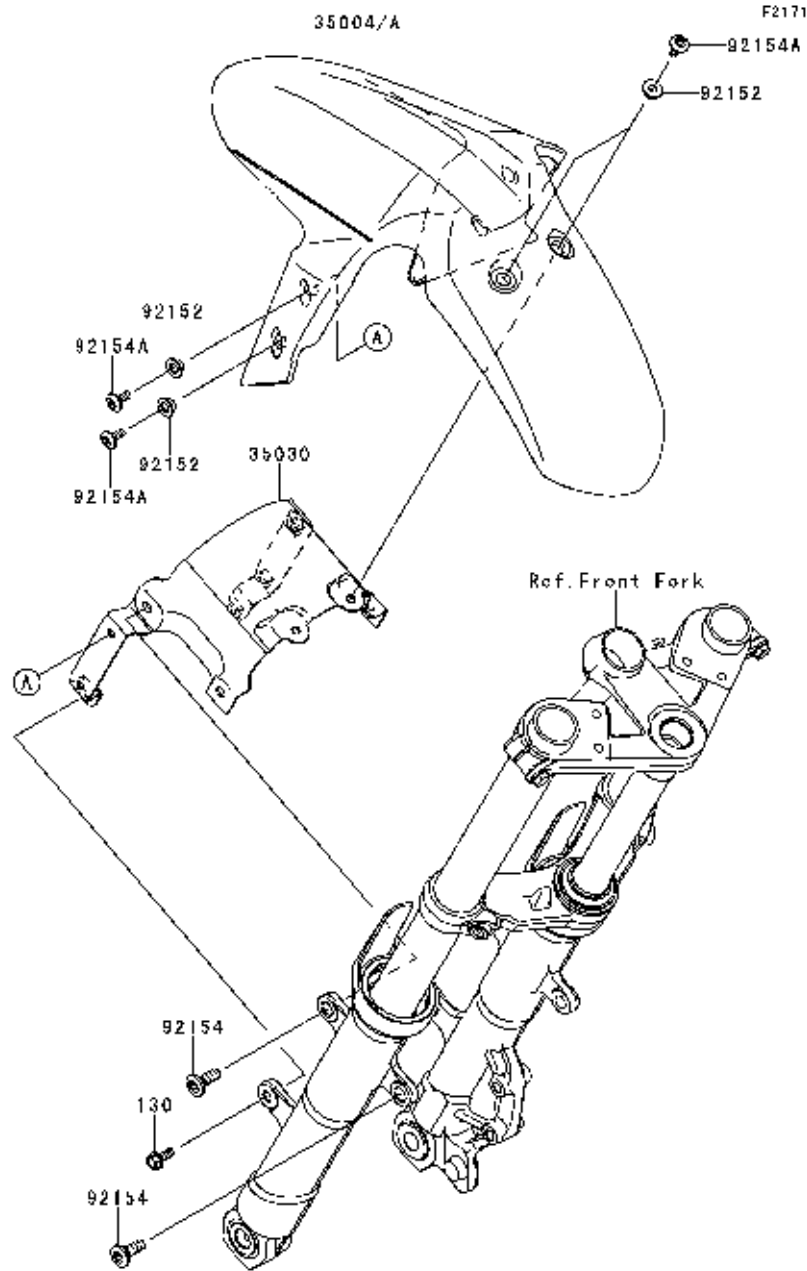
GRID NO.

D-9

This grid covers:

Front Fender(s)

Ref. No.	BAL Part No.	Description	Spec Code	Quantity		KHI Ref. No.
				'13	ADF	
35004	PB181443	FENDER-FRONT, P.S. WHITE		1		35004-0318-15S
35004A	PB181444	FENDER-FRONT, L. GREEN		1		35004-0318-777
35030	PB181447	BRACE-ASSY, FRONT FENDER		1		35030-0055
92152	PB181403	COLLAR, 6.8X10(16)X6.6		6		92152-0842
92154	PB231234	BOLT, SOCKET, 8X23		4		92154-0300
92154A	PB231238	BOLT, SOCKET, 6X14		6		92154-0932
130	PB231207	BOLT-FLANGED, 6X18		2		130BA0618



This catalog covers:

'13 EX300ADF Chassis

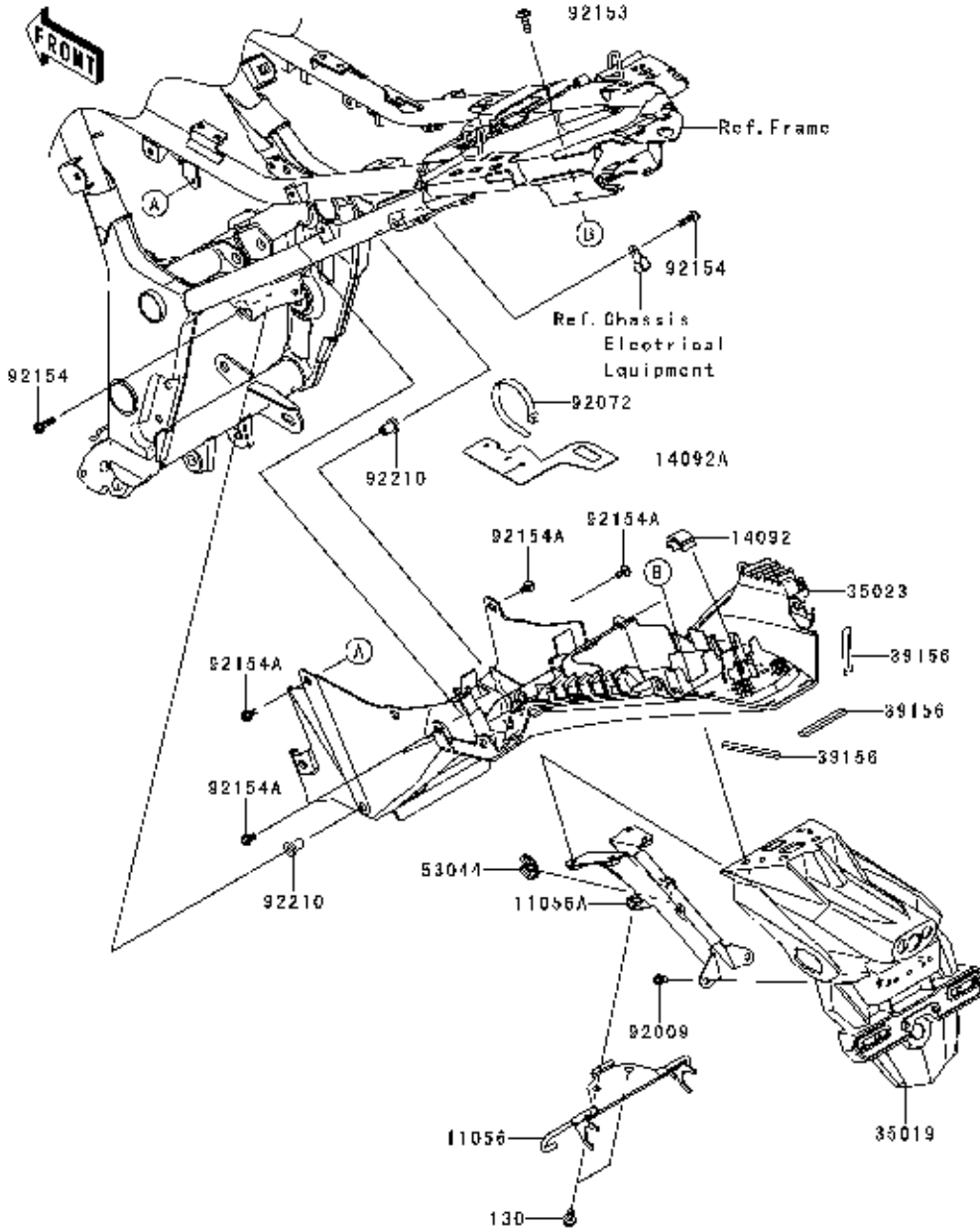
GRID NO.

D-10

This grid covers:

Rear Fender(s)

F2172



Ref. No.	BAL Part No.	Description	Spec Code	Quantity		KHI Ref. No.
				'13	ADF	
11056	PB114319	BRACKET, FLAP, HOOK		1		11056-1569
11056A	PB114336	BRACKET, FLAP		1		11056-2310
14092	PB181383	COVER		1		14092-0951
14092A	PB181386	COVER, RR FENDER		1		14092-1106
35019	PB181445	FLAP		1		35019-0573
35023	PB181446	FENDER-REAR		1		35023-0340
39156	PB591087	PAD, 9X60X4		3		39156-0820
53044	PB114339	TRIM		1		53044-0565
92009	PB113824	SCREW, 6X14		2		92009-3845
92072	PB402207	BAND, L=202		1		92072-1195
92153	PB113883	BOLT, 6X18		4		92153-0816
92154	PB231254	BOLT, FLANGED, 5X20		2		92154-1002
92154A	PB231255	BOLT, FLANGED, 5X12		4		92154-1003
92210	PB351032	NUT, 5MM		2		92210-0001
130	PB113857	BOLT-FLANGED, 6X12		2		130BA0612

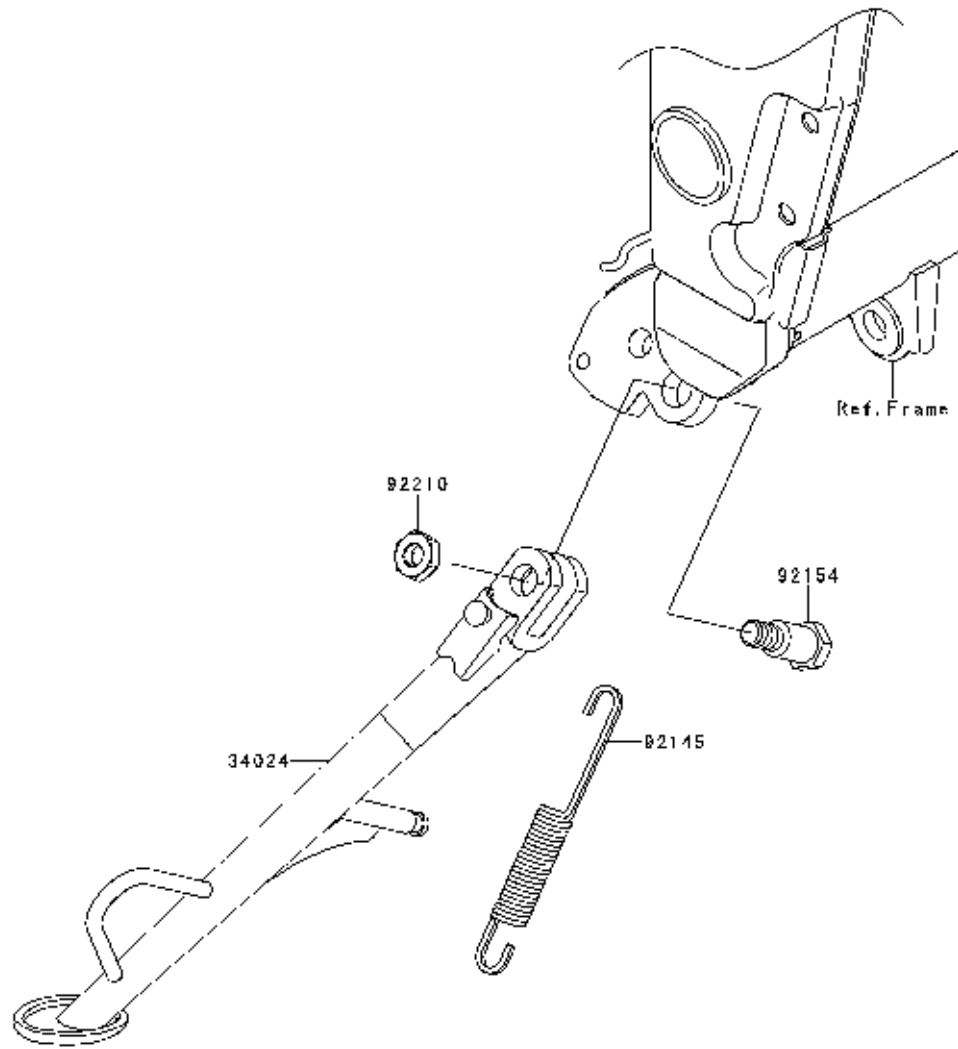
This catalog covers:
'13 EX300ADF Chassis

GRID NO. This grid covers:
D-11 Stand(s)



F2100

Ref. No.	BAL Part No.	Description	Spec Code	Quantity	
				'13	KHI Ref. No.
				ADF	
34024	PB113211	STAND-SIDE, F.S. BLACK		1	34024-0107-18R
92145	PB113203	SPRING, SIDE STAND		1	92145-0804
92154	PB231256	BOLT, 10X35.5		1	92154-1023
92210	PB351036	NUT, LOCK, 10MM		1	92210-0784



This catalog covers:

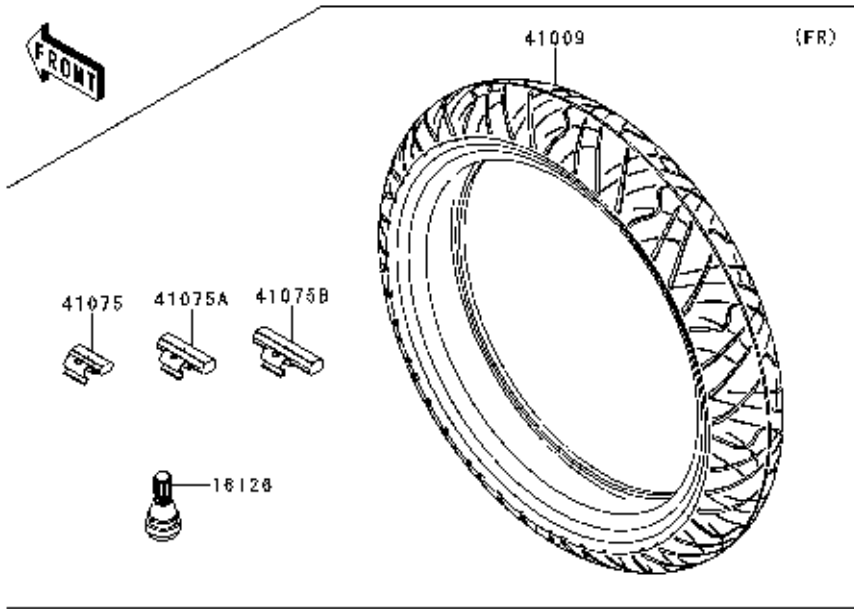
'13 EX300ADF Chassis

GRID NO.

D-12

This grid covers:

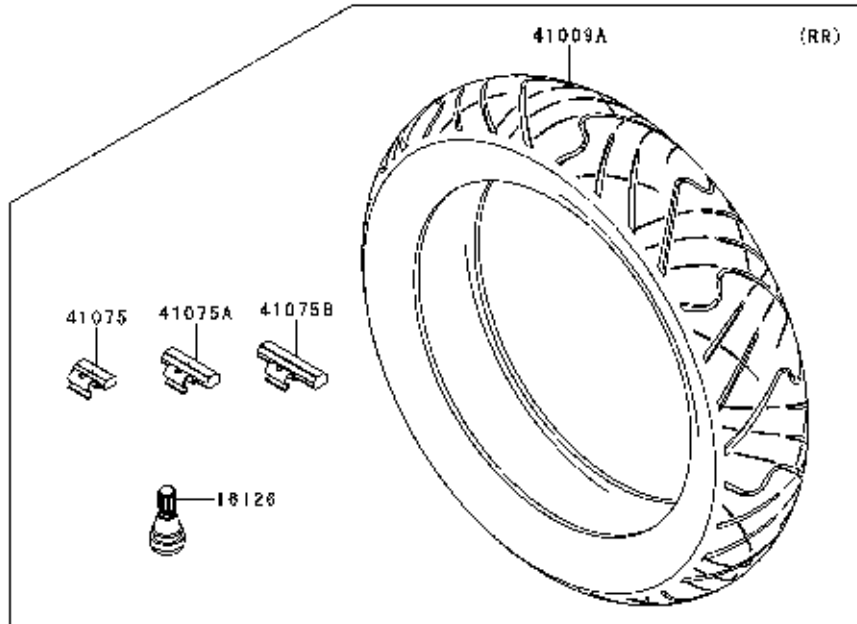
Tires



F2210

Ref. No.	BAL Part No.	Description	Spec Code	Quantity		KHI Ref. No.
				'13		
				ADF		

16126	PB131000	VALVE, TIRE		2	16126-1140
41009	PB131013	TIRE, FR, 110X70-1754S, RX-01F		1	41009-0514
41009A	PB131234	TIRE, RR, 140/70-1766S, RX-01R		1	41009-0520
41075	PB131002	BALANCER-WHEEL, 10G, SILVER		AR	41075-0007
41075A	PB131003	BALANCER-WHEEL, 20G, SILVER		AR	41075-0008
41075B	PB131004	BALANCER-WHEEL, 30G, SILVER		AR	41075-0009



This catalog covers:

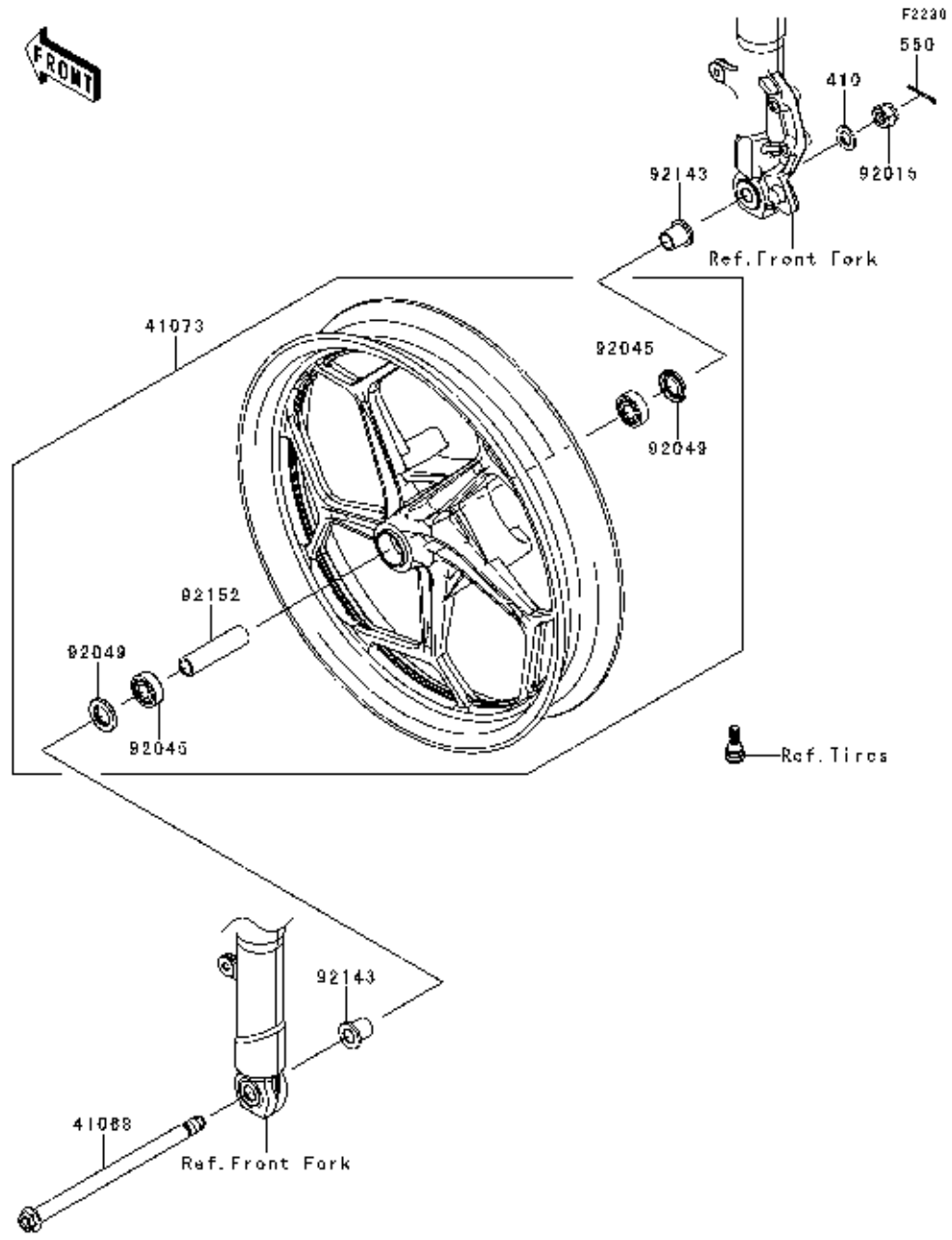
'13 EX300ADF Chassis

GRID NO.

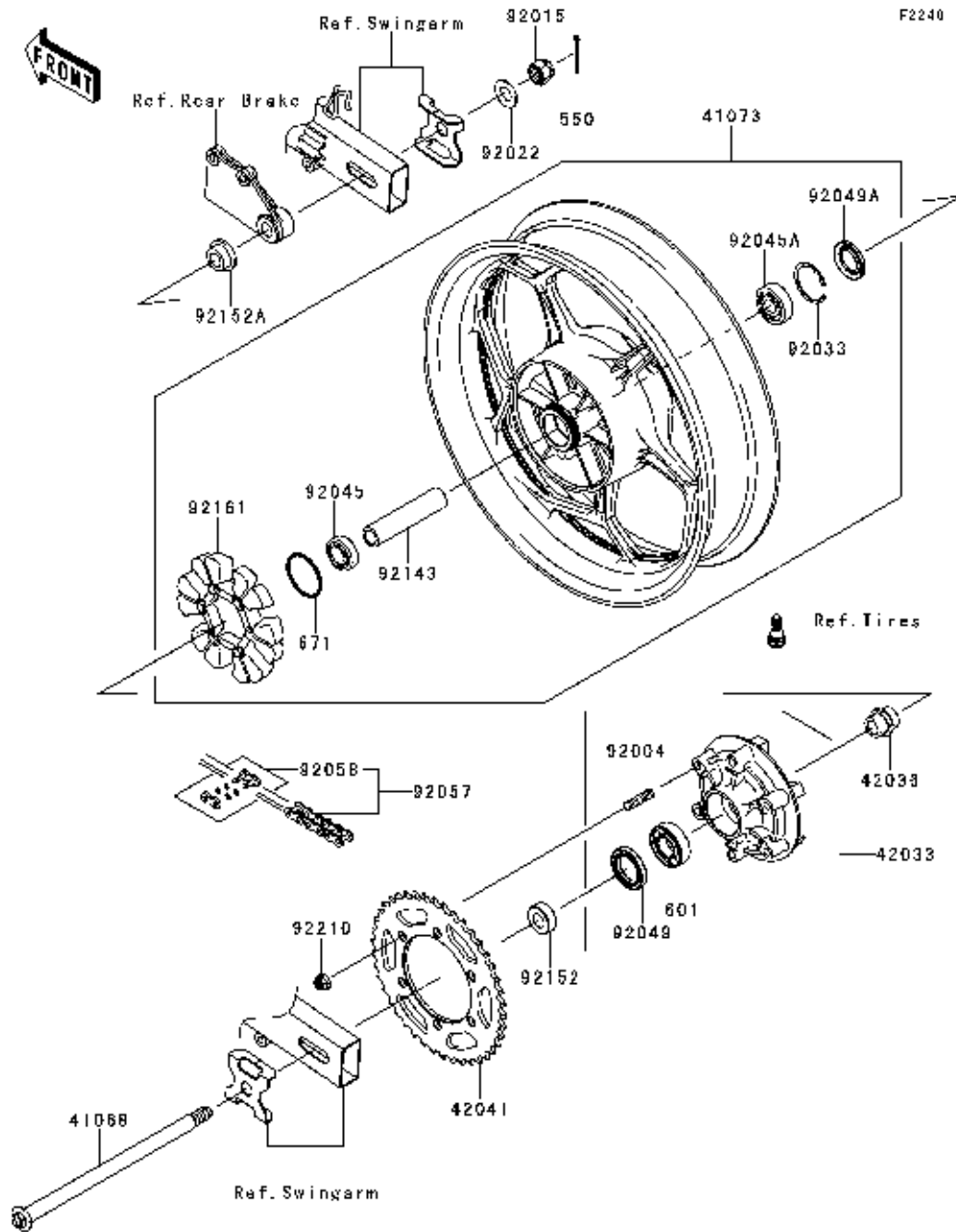
D-13

This grid covers:

Front Hub



Ref. No.	BAL Part No.	Description	Spec Code	Quantity		KHI Ref. No.
				'13	ADF	
41068	PB131800	AXLE, FR		1		41068-0024
41073	PB131237	WHEEL-ASSY, FR, BLACK		1		41073-0589-R2
92015	PB113836	NUT, CASTLE, 14MM		1		92015-1765
92045	PB551014	BEARING-BALL, 15X35X11		2		92045-0734
92049	PB131802	SEAL-OIL		2		92049-0136
92143	PB131809	COLLAR, FR AXLE, L=24		2		92143-1187
92152	PB131038	COLLAR, 15.1X20X80		1		92152-1586
410	PB113828	WASHER-PLAIN-SMALL, 14MM		1		410AA1400
550	PB231213	PIN-COTTER, 3.0X30		1		550AA3030



F2240

Ref. No.	BAL Part No.	Description	Spec Code	Quantity		KHI Ref. No.
				'13	ADF	
41068	PB131810	AXLE, RR		1		41068-1223
41073	PB131235	WHEEL-ASSY, BLACK		1		41073-0590-R2
42033	PB131602	COUPLING-ASSY, RR HUB		1		42033-0574
42036	PB131819	SLEEVE, RR HUB, L=30		1		42036-1055
42041	PB141006	SPROCKET-HUB, 42T		1		42041-0118
92004	PB141003	STUD, 10X19		6		92004-0048
92015	PB113843	NUT, CASTLE, 16MM		1		92015-1947
92022	PB113844	WASHER, 17.5X34X2.0		1		92022-1916
92033	PB113839	RING-SNAP, 47MM		1		92033-1042
92045	PB551012	BEARING-BALL, 17X40X12		1		92045-0732
92045A	PB551013	BEARING-BALL, 17X47X14		1		92045-0733
92049	PB131239	SEAL-OIL, 35X52X7		1		92049-0730
92049A	PB131813	SEAL-OIL, BFN28475		1		92049-1056
92057	PB141004	CHAIN, DRIVE, EK520SR-O2X106L		1		92057-0019
92058	PB141005	JOINT-CHAIN, DRIVE		1		92058-1102
92143	PB131814	COLLAR, RR HUB, L=111		1		92143-1416
92152	PB131202	COLLAR, 17X35X13		1		92152-0843
92152A	PB131203	COLLAR, 17X28(38)X15		1		92152-0844
92161	PB131815	DAMPER, RR HUB SHOCK		1		92161-0700
92210	PB113845	NUT, LOCK, FLANGED, 10MM		6		92210-0276
550	PB113842	PIN-COTTER, 4.0X35		1		550AA4035
601	PB113841	BEARING-BALL, #6205G		1		601B6205G
671	PB131812	O RING		1		671B2550

This catalog covers:

'13 EX300ADF Chassis

GRID NO.

E-3

This grid covers:

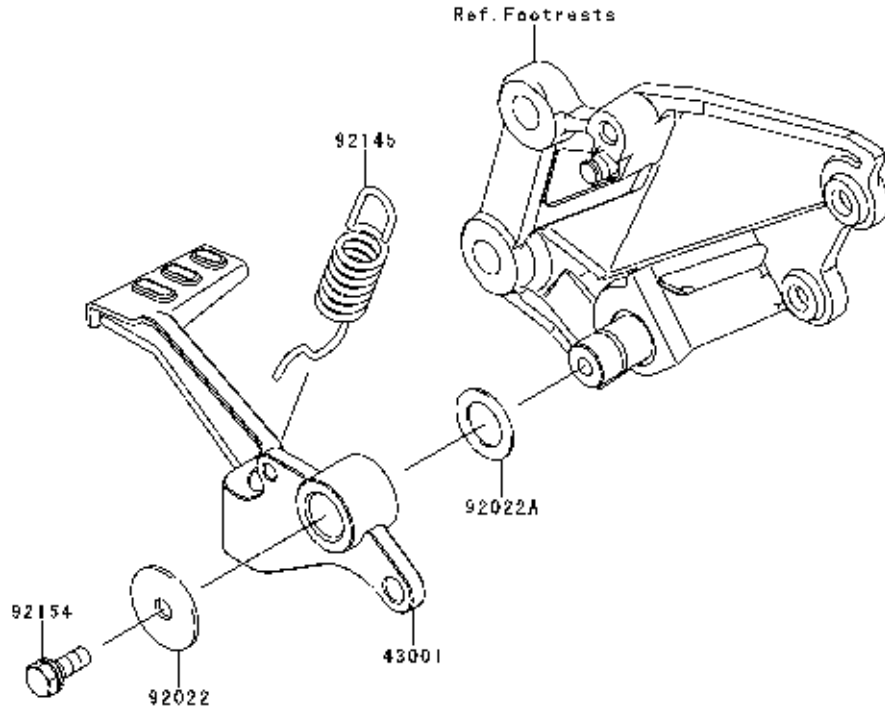
Brake Pedal



F2260

Ref. No.	BAL Part No.	Description	Spec Code	Quantity	
				'13	KHI Ref. No.
				ADF	

43001	PB161037	LEVER-BRAKE, PEDAL		1	43001-0721
92022	PB113847	WASHER, 7X28X1.6		1	92022-1282
92022A	PB113848	WASHER, 15.3X24X1		1	92022-326
92145	PB113214	SPRING, BRAKE PEDAL		1	92145-0923
92154	PB231240	BOLT, UPSET-WS, 6X16		1	92154-0935



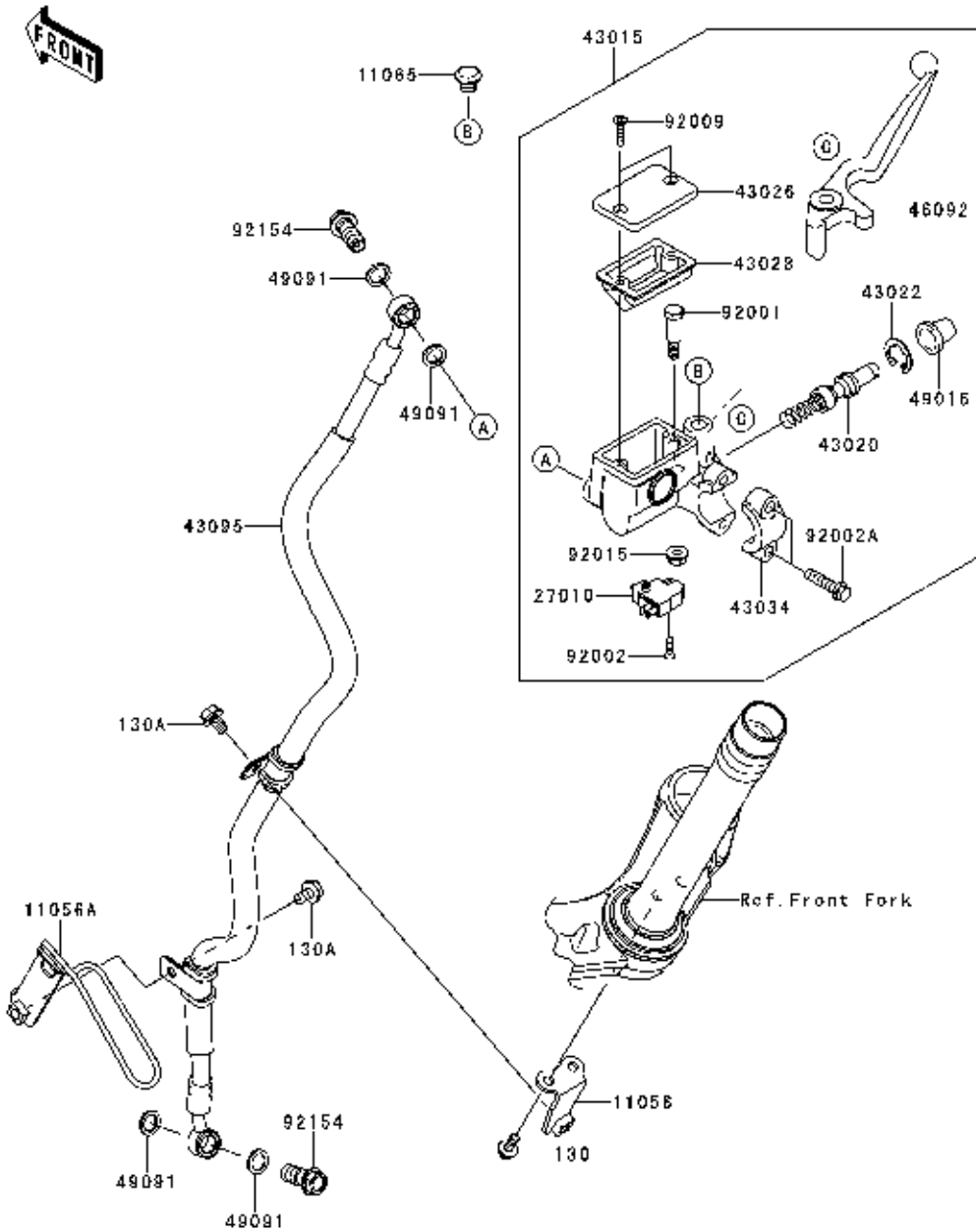
This catalog covers:
'13 EX300ADF Chassis

GRID NO.

E-4

This grid covers:
Front Master Cylinder

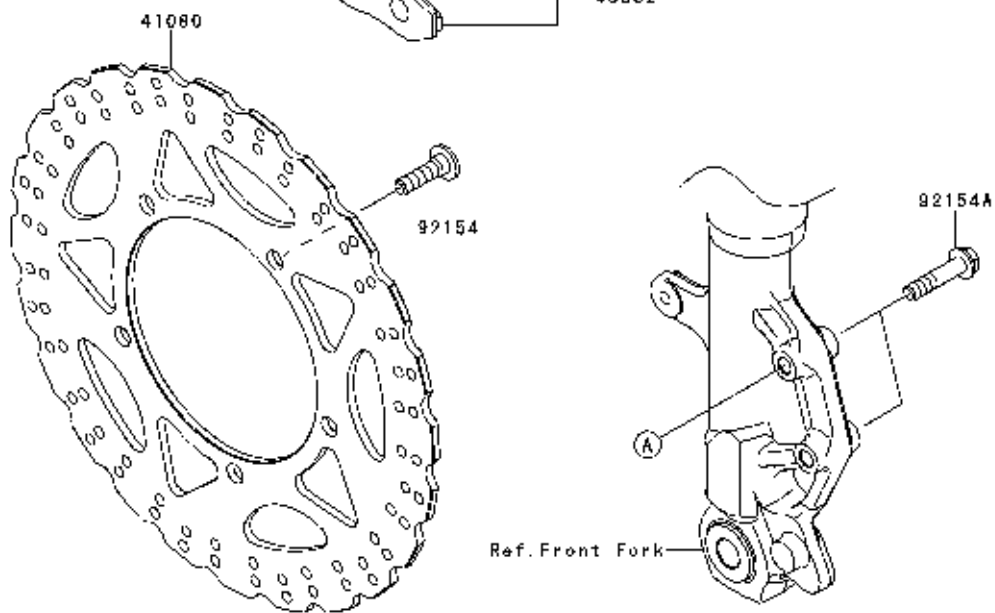
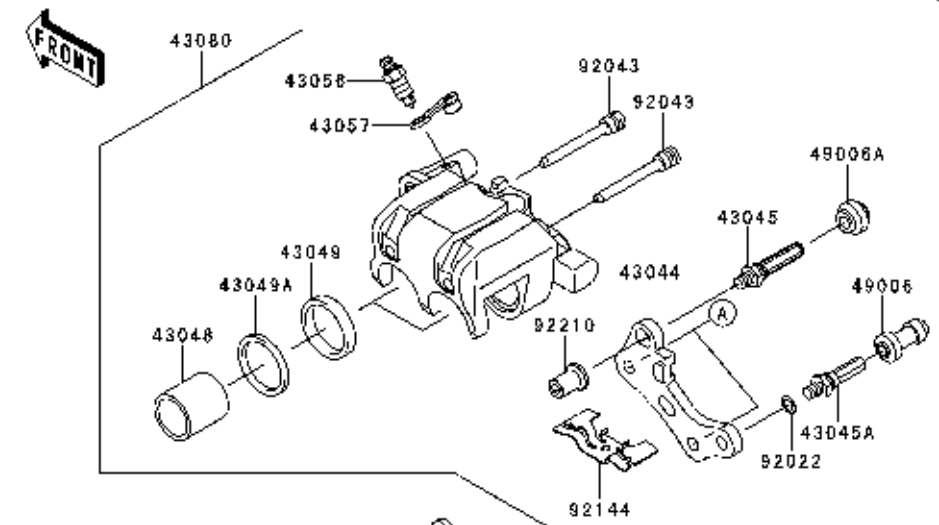
F2201



Ref. No.	BAL Part No.	Description	Spec Code	Quantity		KHI Ref. No.
				'13	ADF	
11056	PB114333	BRACKET		1		11056-2214
11056A	PB114334	BRACKET		1		11056-2300
11065	PB131821	CAP, DUMMY		1		11065-0218
27010	PB131837	SWITCH, BRAKE		1		27010-1170
43015	PB131836	CYLINDER-ASSY-MASTER, FR		1		43015-0110
43020	PB131838	PISTON-COMP-BRAKE		1		43020-1095
43022	PB131839	STOPPER-BRAKE, PISTON		1		43022-1010
43026	PB131840	CAP-BRAKE		1		43026-1074
43028	PB131841	DIAPHRAGM		1		43028-1061
43034	PB131842	HOLDER-BRAKE, MASTER CYLINDER		1		43034-1016
43095	PB131991	HOSE-BRAKE, FR, L=731		1		43095-0770
46092	PB131843	LEVER-GRIP, FRONT BRAKE		1		46092-0028
49016	PB131844	COVER-SEAL, MASTER CYLINDER		1		49016-1044
49091	PB113911	WASHER-SEAL, 10.1X14.5X1.5		4		49091-0001
92001	PB113913	BOLT, FRONT BRAKE LEVER		1		92001-1728
92002	PB113914	BOLT, SCREW, 4X12		1		92002-1323
92002A	PB113915	BOLT		2		92002-1894
92009	PB113916	SCREW, 4MM		2		92009-1458
92015	PB113856	NUT, FLANGED, 6MM, BLACK		1		92015-1233
92154	PB113912	BOLT, OIL, L=23		2		92154-0226
130	PB113909	BOLT-FLANGED, 5X12		2		130BB0512
130A	PB113910	BOLT-FLANGED, 6X10		2		130BB0610

This catalog covers:
'13 EX300ADF Chassis

GRID NO. This grid covers:
E-5 Front Brake



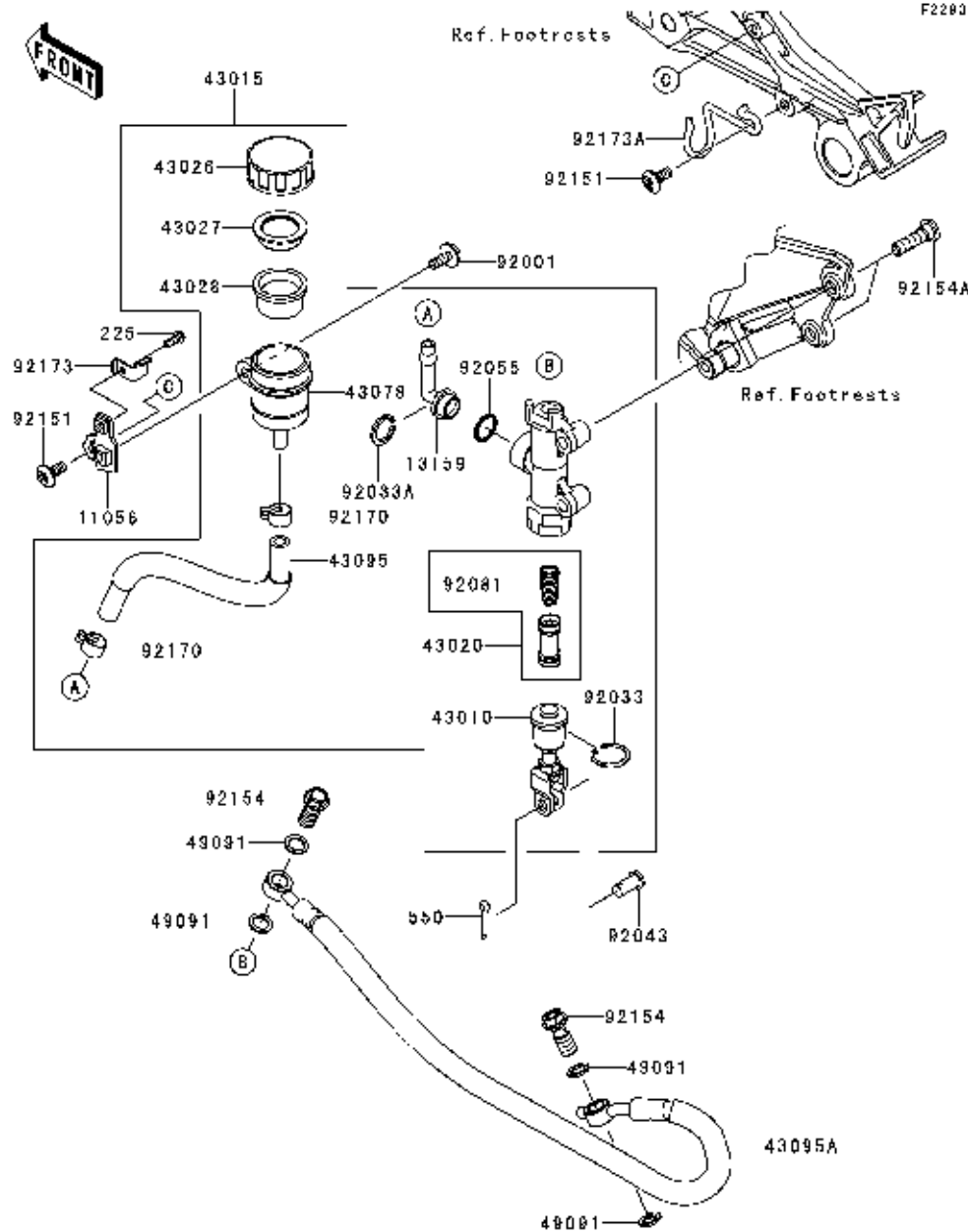
F2202

Ref. No.	BAL Part No.	Description	Spec Code	Quantity		KHI Ref. No.
				'13	ADF	
41080	PB131978	DISC, FR, BLACK		1		41080-0578-11H
43044	PB131871	HOLDER-COMP-CALIPER		1		43044-1112
43045	PB131950	SHAFT-CALIPER		1		43045-0004
43045A	PB131824	SHAFT-CALIPER		1		43045-1010
43048	PB131825	PISTON-CALIPER		2		43048-1068
43049	PB131826	PACKING, PISTON SEAL		2		43049-1060
43049A	PB131827	PACKING, PISTON SEAL		2		43049-1061
43056	PB131828	BREATHER-BRAKE		1		43056-0004
43057	PB131829	CAP-BREATHER		1		43057-1001
43080	PB131986	CALIPER-SUB-ASSY, FR, BLACK		1		43080-0125-25S
43082	PB131988	PAD-ASSY-BRAKE		1		43082-0128
49006	PB131830	BOOT, CALIPER		1		49006-1088
49006A	PB131831	BOOT, CALIPER		1		49006-1242
92022	PB113905	WASHER, WAVE		1		92022-1373
92043	PB113906	PIN, HANGER		2		92043-1416
92144	PB131832	SPRING, PAD		1		92144-1847
92154	PB114261	BOLT, SOCKET, 8X30		5		92154-0844
92154A	PB231259	BOLT		2		92154-1033
92210	PB351033	NUT		1		92210-0615

This catalog covers:
'13 EX300ADF Chassis

GRID NO.
E-6

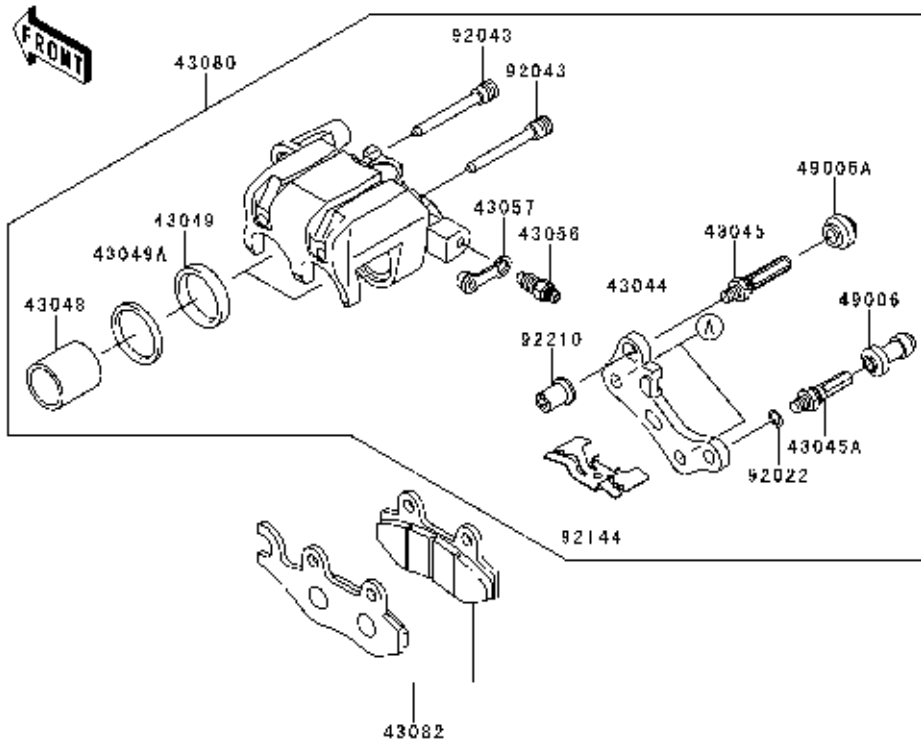
This grid covers:
Rear Master Cylinder



Ref. No.	BAL Part No.	Description	Spec Code	Quantity		KHI Ref. No.
				'13	ADF	
11056	PB114335	BRACKET		1		11056-2306
13159	PB131886	CONNECTOR		1		13159-1056
43010	PB131980	ROD-ASSY-BRAKE		1		43010-0010
43015	PB131981	CYLINDER-ASSY-MASTER, RR		1		43015-0573
43020	PB131848	PISTON-COMP-BRAKE		1		43020-1057
43026	PB131983	CAP-BRAKE		1		43026-0009
43027	PB131984	PLATE-DIAPHRAGM		1		43027-1053
43028	PB131985	DIAPHRAGM		1		43028-1065
43078	PB601042	RESERVOIR		1		43078-0040
43095	PB131989	HOSE-BRAKE		1		43095-0765
43095A	PB131990	HOSE-BRAKE, RR, 520MM		1		43095-0767
49091	PB113911	WASHER-SEAL, 10.1X14.5X1.5		4		49091-0001
92001	PB113922	BOLT, W/P, 6X16		1		92001-1860
92033	PB131929	RING-SNAP, 20.9X24.6X1.2		1		92033-0079
92033A	PB113919	RING-SNAP, 20.5MM		1		92033-1186
92043	PB113923	PIN, 8X17		1		92043-0104
92055	PB511061	RING-O, 14.8X2.4		1		92055-0741
92081	PB131849	SPRING, MASTER CYLINDER		1		92081-1737
92151	PB113807	BOLT, SOCKET, 6X14		2		92151-1654
92154	PB113912	BOLT, OIL, L=23		2		92154-0226
92154A	PB114260	BOLT, SOCKET, 8X30		2		92154-0843
92170	PB131940	CLAMP, HOSE		2		92170-1091
92173	PB131856	CLAMP, RESERVOIR TANK CAP		1		92173-0028
92173A	PB581222	CLAMP		1		92173-0936
225	PB113917	SCREW-PAN-WSP-CROS, 4X12		1		225AB0412
550	PB113921	PIN-COTTER, 2.0X15		1		550AA2015

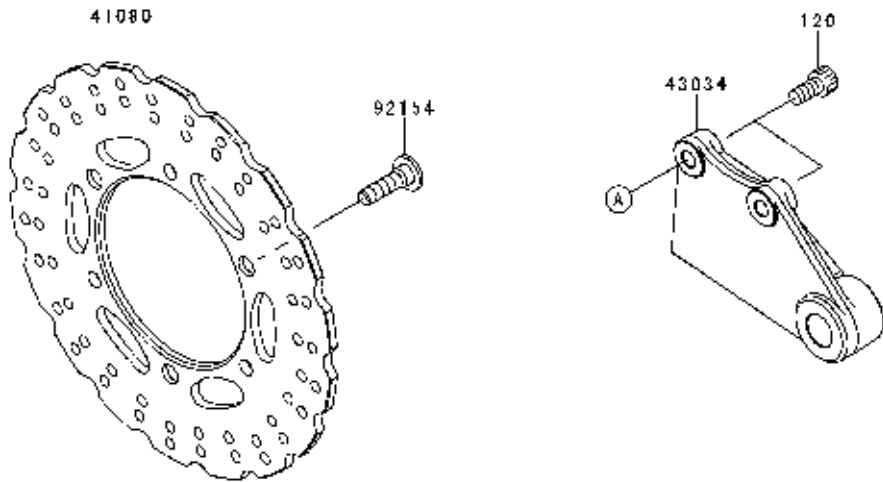
This catalog covers:
'13 EX300ADF Chassis

GRID NO. This grid covers:
E-7 Rear Brake



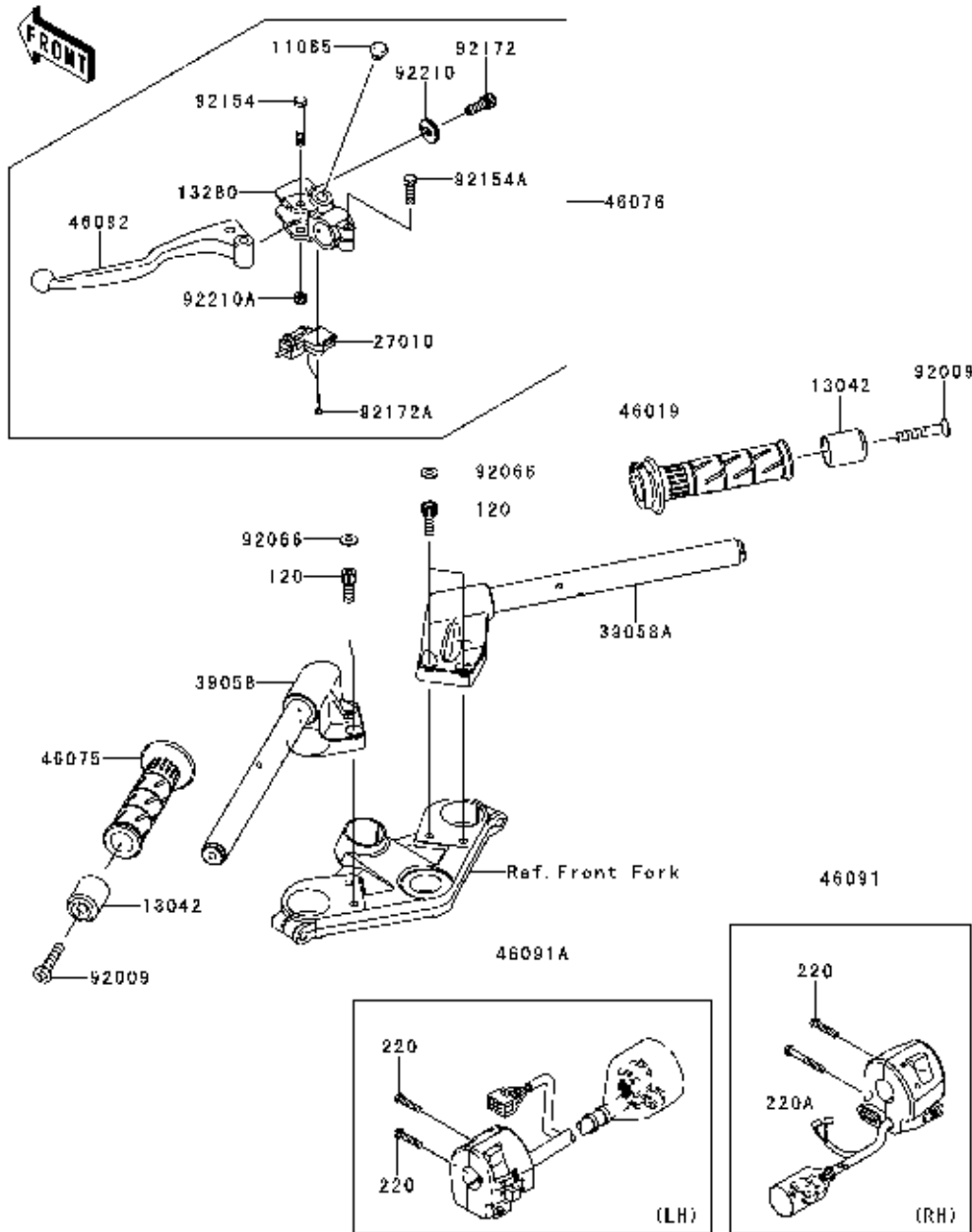
F2204

Ref. No.	BAL Part No.	Description	Spec Code	Quantity		KHI Ref. No.
				'13	ADF	
41080	PB131979	DISC, RR, BLACK		1		41080-0591-11H
43034	PB131858	HOLDER-BRAKE, REAR CALIPER, BLK		1		43034-0021-18R
43044	PB131871	HOLDER-COMP-CALIPER		1		43044-1112
43045	PB131950	SHAFT-CALIPER		1		43045-0004
43045A	PB131824	SHAFT-CALIPER		1		43045-1010
43048	PB131860	PISTON-CALIPER		2		43048-1066
43049	PB131861	PACKING		2		43049-1063
43049A	PB131862	PACKING		2		43049-1064
43056	PB131828	BREATHER-BRAKE		1		43056-0004
43057	PB131829	CAP-BREATHER		1		43057-1001
43080	PB131987	CALIPER-SUB-ASSY, RR, BLACK		1		43080-0126-25S
43082	PB131988	PAD-ASSY-BRAKE		1		43082-0128
49006	PB131830	BOOT, CALIPER		1		49006-1088
49006A	PB131831	BOOT, CALIPER		1		49006-1242
92022	PB113905	WASHER, WAVE		1		92022-1373
92043	PB113906	PIN, HANGER		2		92043-1416
92144	PB131832	SPRING, PAD		1		92144-1847
92154	PB114261	BOLT, SOCKET, 8X30		3		92154-0844
92210	PB351033	NUT		1		92210-0615
120	PB113925	BOLT-SOCKET, 8X16		2		120CA0816



This catalog covers:
'13 EX300ADF Chassis

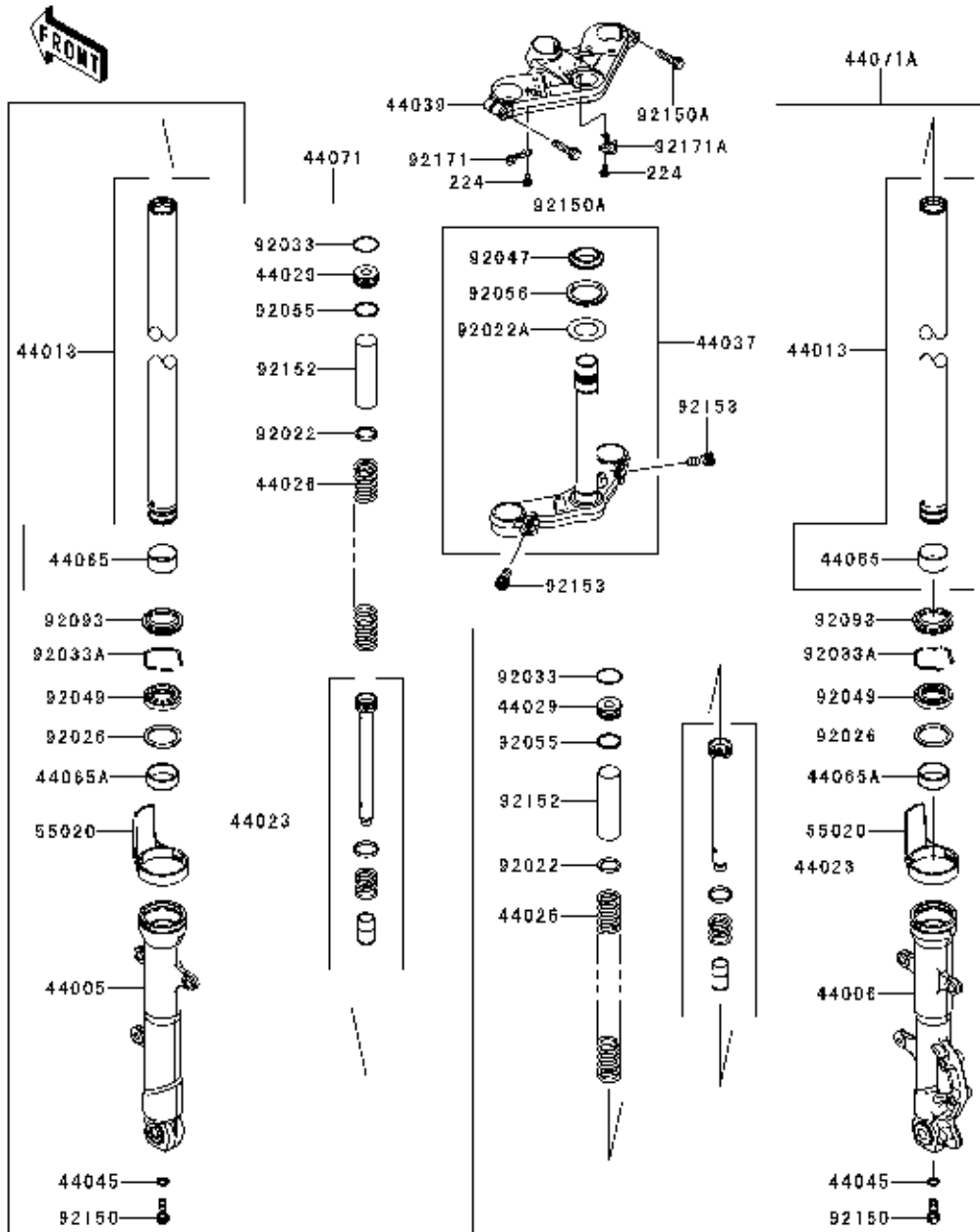
GRID NO. E-8 This grid covers:
Handlebar



F2710

Ref. No.	BAL Part No.	Description	Spec Code	Quantity		KHI Ref. No.
				'13	ADF	
11065	PB131821	CAP, DUMMY		1		11065-0218
13042	PB151000	WEIGHT, HANDLE		2		13042-0032
13280	PB161007	HOLDER, CLUTCH LEVER		1		13280-0295
27010	PB401431	SWITCH, CLUTCH		1		27010-0729
39058	PB151001	HANDLE-COMP, LH, BLACK		1		39058-0007-18R
39058A	PB151002	HANDLE-COMP, RH, BLACK		1		39058-0008-18R
46019	PB161035	GRIP-ASSY, THROTTLE		1		46019-0060
46075	PB231402	GRIP, HANDLE, LH		1		46075-0564
46076	PB161038	LEVER-ASSY-GRIP, CLUTCH		1		46076-0087
46091	PB401406	HOUSING-ASSY-CONTROL, RH		1		46091-0205
46091A	PB401432	HOUSING-ASSY-CONTROL, LH		1		46091-0249
46092	PB161039	LEVER-GRIP, CLUTCH		1		46092-0043
92009	PB113927	SCREW, 8X45		2		92009-1257
92066	PB151004	PLUG		4		92066-1216
92154	PB113928	BOLT, CLUTCH LEVER		1		92154-0066
92154A	PB113929	BOLT		1		92154-0067
92172	PB113930	SCREW, CABLE ADJUST, 8MM		1		92172-0376
92172A	PB131605	SCREW, 3X16		2		92172-0788
92210	PB113931	NUT, CABLE ADJUST, LOCK, 8MM		1		92210-0479
92210A	PB113932	NUT, LOCK, 6MM		1		92210-0480
120	PB113926	BOLT-SOCKET, 8X22		4		120CB0822
220	PB114105	SCREW-PAN-CROS, 5X25		3		220AB0525
220A	PB114106	SCREW-PAN-CROS, 5X40		1		220AB0540

F2340



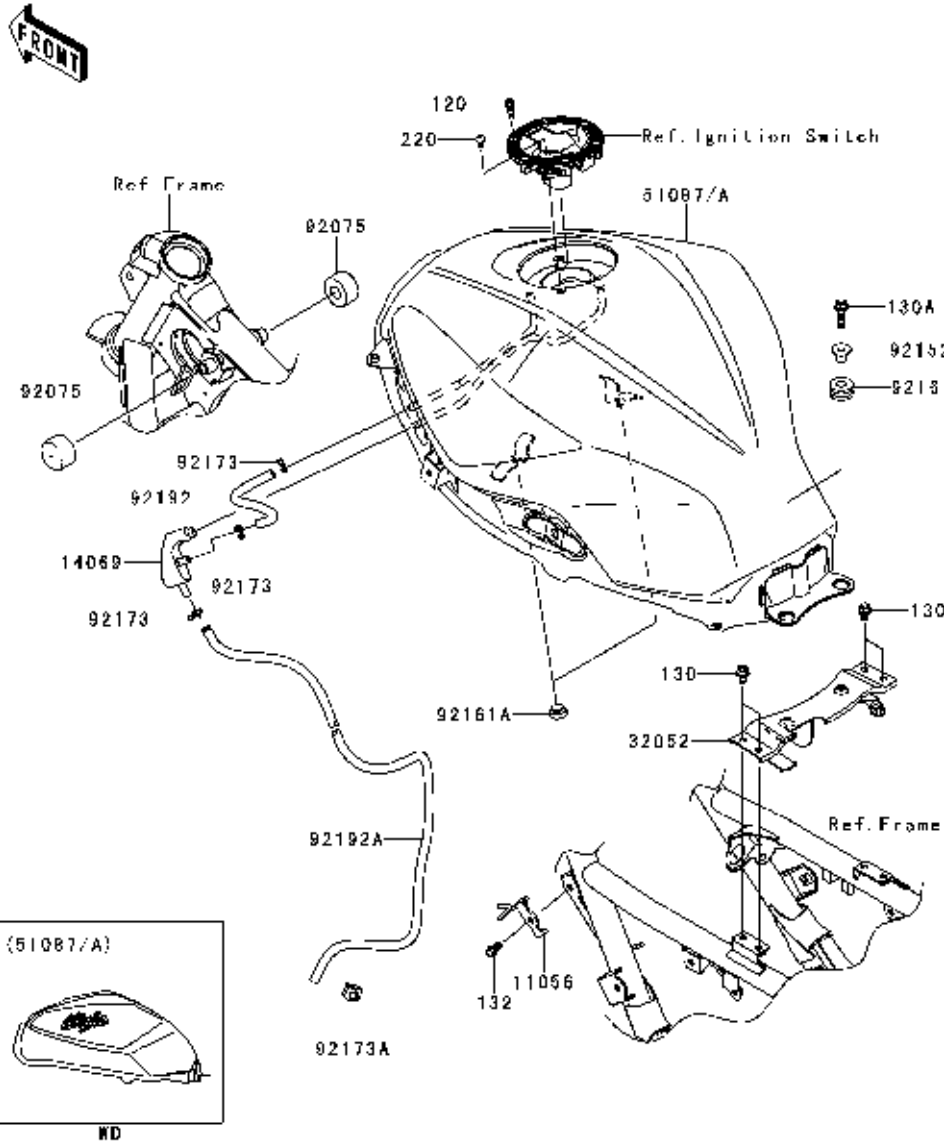
Ref. No.	BAL Part No.	Description	Spec Code	Quantity		KHI Ref. No.
				'13	ADF	
44005	PB121071	PIPE-LEFT FORK OUTER, F.S. BLACK		1	44005-0092-18R	
44006	PB121072	PIPE-RIGHT FORK OUTER, F.S. BLK		1	44006-0088-18R	
44013	PB121073	PIPE-FORK INNER		2	44013-0201	
44023	PB121074	CYLINDER-SET-FORK		2	44023-0102	
44026	PB121009	SPRING-FRONT FORK		2	44026-0126	
44029	PB121010	SEAT-FORK SPRING		2	44029-1127	
44037	PB121030	HOLDER-FORK UNDER, F.BLACK		1	44037-0112-21	
44039	PB121023	HOLDER-FORK UPPER, BLACK		1	44039-0056-18R	
44045	PB121011	GASKET, FORK CYLINDER BOLT		2	44045-051	
44065	PB121075	BUSHING-FRONT FORK		2	44065-0057	
44065A	PB121076	BUSHING-FRONT FORK		2	44065-0058	
44071	PB121077	DAMPER-ASSY, LH, F.S. BLACK		1	44071-0824-18R	
44071A	PB121078	DAMPER-ASSY, RH, F.S. BLACK		1	44071-0825-18R	
55020	PB121013	GUARD, INNER TUBE		2	55020-0329	
92022	PB113935	WASHER		2	92022-1879	
92022A	PB113940	WASHER, 30.5X50X0.6		1	92022-231	
92026	PB121014	SPACER, FORK		2	92026-1443	
92033	PB113936	RING-SNAP		2	92033-1236	
92033A	PB113937	RING-SNAP		2	92033-1286	
92047	PB121021	RACE, STEERING STEM BEARING		1	92047-012	
92049	PB131241	SEAL-OIL		2	92049-0734	
92055	PB113938	RING-O, FORK SPRING SEAT		2	92055-1384	
92056	PB121022	SEAL-OIL, STEERING STEM		1	92056-003	
92093	PB121016	SEAL, FORK OUTER		2	92093-1367	
92150	PB113939	BOLT, SOCKET, 8X18		2	92150-1432	
92150A	PB113942	BOLT		2	92150-1610	
92152	PB121017	COLLAR, FORK, L=100		2	92152-0719	
92153	PB113941	BOLT, SOCKET, 10X25		2	92153-0301	
92171	PB121024	CLAMP, LH		1	92171-1857	
92171A	PB121025	CLAMP, RH		1	92171-1947	
224	PB113934	SCREW-PAN-WP-CROS, 6X12		2	224AB0612	

This catalog covers:
'13 EX300ADF Chassis

GRID NO. This grid covers:
E-10 Fuel Tank

F2410

Ref. No.	BAL Part No.	Description	Spec Code	Quantity		KHI Ref. No.
				'13		
				ADF		
11056	PB114323	BRACKET, DRAIN TUBE		1		11056-1633
14069	PB171603	BREATHER		1		14069-0011
32052	PB171043	BRACKET-TANK, RR		1		32052-0718
51087	PB171044	TANK-COMP-FUEL, P.S. WHITE		1		51087-5424-15S
51087A	PB171045	TANK-COMP-FUEL, L. GREEN		1		51087-5427-777
92075	PB171003	DAMPER, FUEL TANK, FR		2		92075-1115
92152	PB131036	COLLAR		2		92152-0332
92161	PB401435	DAMPER, 10X24X12		2		92161-0927
92161A	PB561239	DAMPER		2		92161-1473
92173	PB171600	CLAMP		3		92173-0049
92173A	PB581225	CLAMP		1		92173-0978
92192	PB581226	TUBE, FUEL		1		92192-0310
92192A	PB581230	TUBE, 5X9X900		1		92192-1237
120	PB113855	BOLT-SOCKET, 5X16		6		120CB0516
130	PB113853	BOLT-FLANGED, 6X10		4		130BA0610
130A	PB231208	BOLT-FLANGED, 6X25		2		130BA0625
132	PB114073	BOLT-FLANGED-SMALL, 6X12		1		132BA0612
220	PB113852	SCREW-PAN-CROS, 5X8		1		220AB0508



(51087)	White
(51087A)	Green

This catalog covers:

'13 EX300ADF Chassis

GRID NO.

E-11

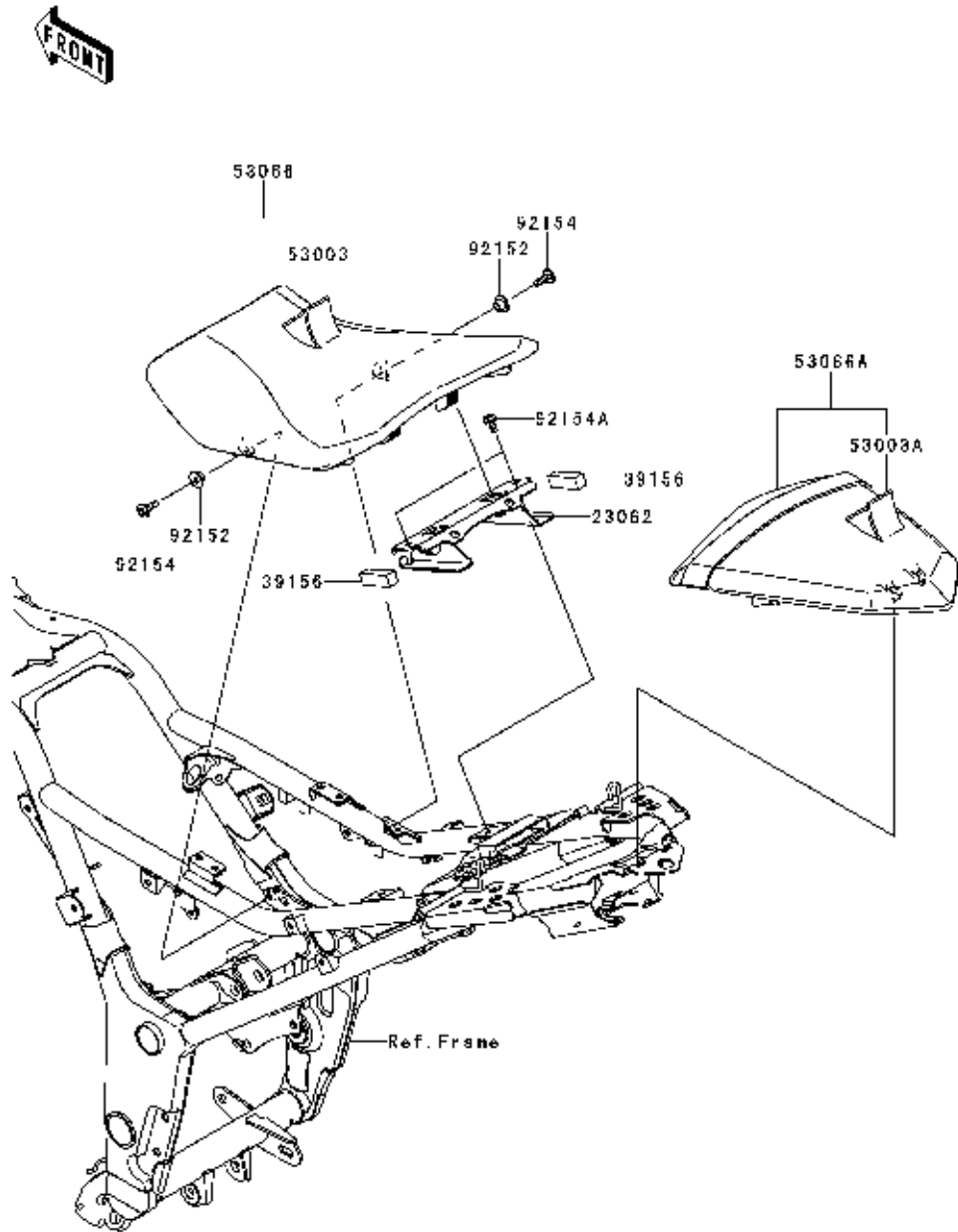
This grid covers:

Seat

F2510

Ref. No.	BAL Part No.	Description	Spec Code	Quantity		KHI Ref. No.
				'13		
				ADF		

23062	PB191027	BRACKET-COMP, SEAT		1	23062-0782
39156	PB591090	PAD, 13X43X12		2	39156-0978
53003	PB191028	LEATHER, BLACK		1	53003-0326-MA
53003A	PB191029	LEATHER, BLACK		1	53003-0327-MA
53066	PB191030	SEAT-ASSY, FR, BLACK		1	53066-0392-MA
53066A	PB191031	SEAT, RR, LEATHER BLK+BAND BLK		1	53066-0393-12Y
92152	PB131035	COLLAR		2	92152-0295
92154	PB231257	BOLT, SOCKET, 6X18		2	92154-1026
92154A	PB114245	BOLT, FLANGED, 6X12		2	92154-1050



This catalog covers:

'13 EX300ADF Chassis

GRID NO.

E-12

This grid covers:

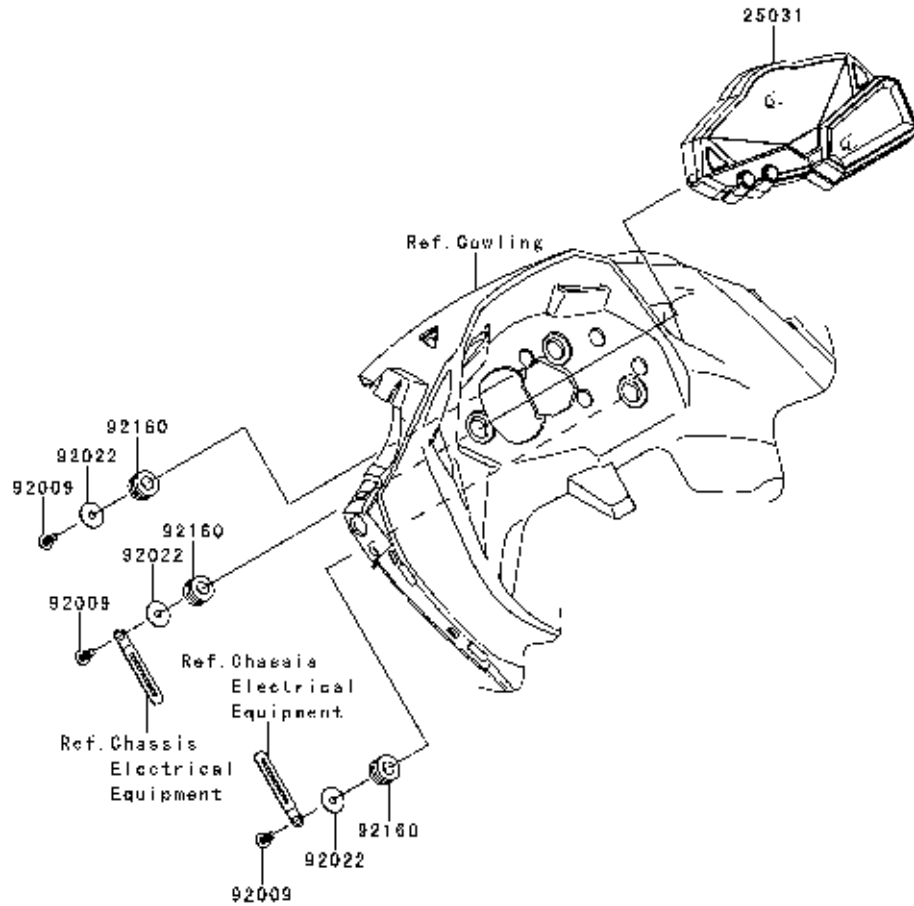
Meter(s)



F2530

Ref. No.	BAL Part No.	Description	Spec Code	Quantity		KHI Ref. No.
				'13	ADF	

25031	PB402423	METER-ASSY, COMBINATION		1		25031-0419
92009	PB402420	SCREW, TAPPING, 5X14		3		92009-1197
92022		WASHER, 5.5X20X1.2		3		92022-1405
92160	PB402421	DAMPER		3		92160-1167



This catalog covers:

'13 EX300ADF Chassis

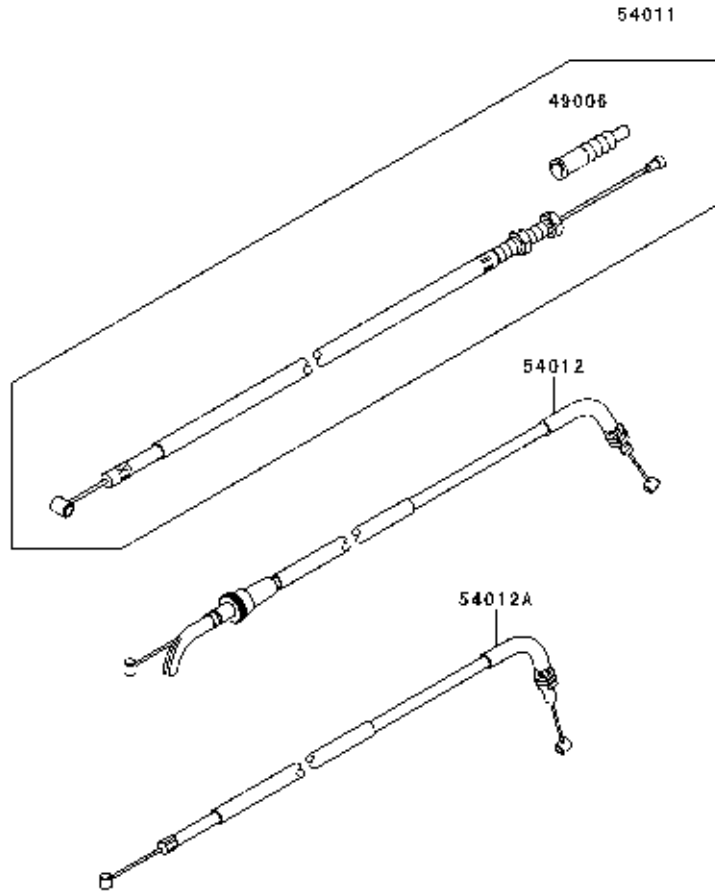
GRID NO.

E-13

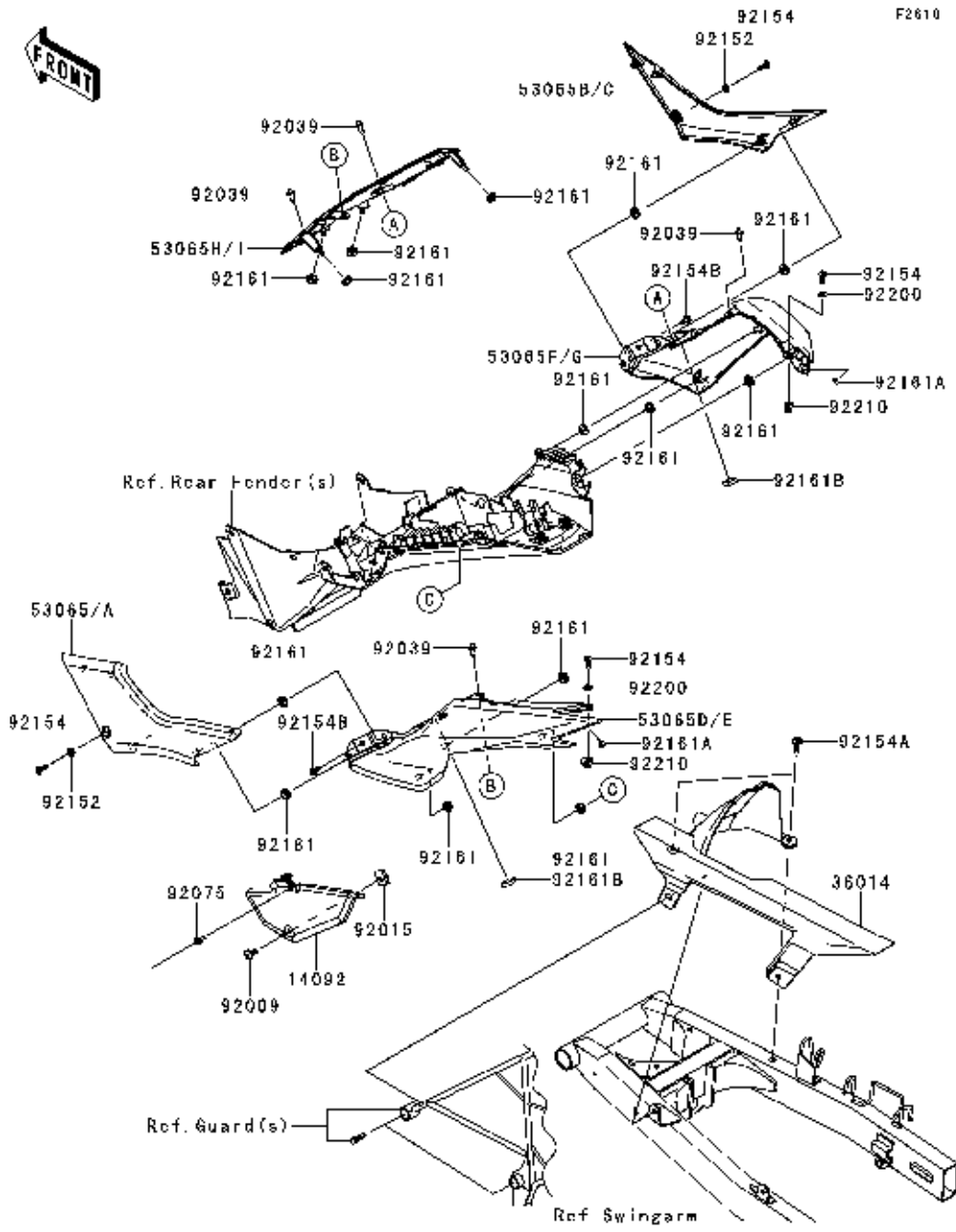
This grid covers:

Cables

F2540



Ref. No.	BAL Part No.	Description	Spec Code	Quantity		KHI Ref. No.
				'13	ADF	
49006	PB161215	BOOT, CLUTCH CABLE		1		49006-0579
54011	PB161216	CABLE-CLUTCH		1		54011-0565
54012	PB161217	CABLE-THROTTLE, PULL		1		54012-0577
54012A	PB161218	CABLE-THROTTLE, RETURN		1		54012-0578



F2610

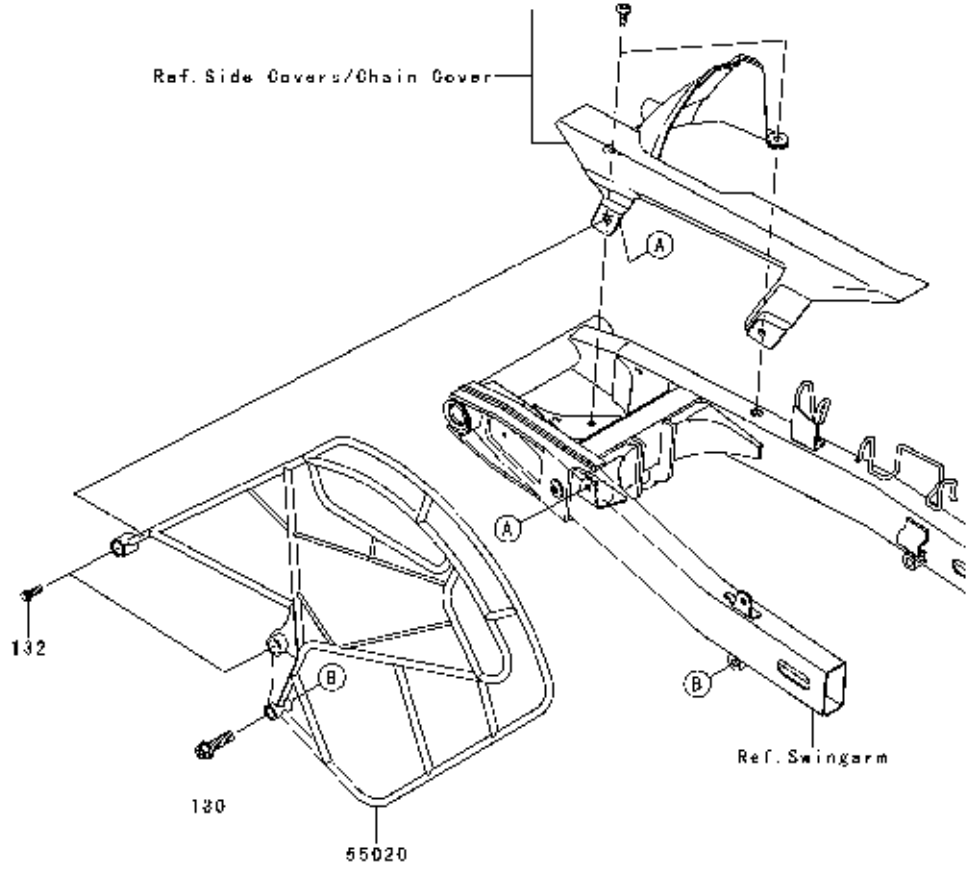
Ref. No.	BAL Part No.	Description	Spec Code	Quantity		KHI Ref. No.
				'13	ADF	
14092	PB181384	COVER, FILTER CAP		1		14092-0954
36014	PB181387	CASE-CHAIN		1		36014-0555
53065	PB181392	COVER SEAT, SIDE, LH, P.S. WHITE		1		53065-0058-15S
53065A	PB181393	COVER SEAT, SIDE, LH, L. GREEN		1		53065-0058-777
53065B	PB181394	COVER SEAT, SIDE, RH, P.S. WHITE		1		53065-0059-15S
53065C	PB181395	COVER SEAT, SIDE, RH, L. GREEN		1		53065-0059-777
53065D	PB181396	COVER SEAT, TAIL, LH, P.S. WHITE		1		53065-0060-15S
53065E	PB181397	COVER SEAT, TAIL, LH, L. GREEN		1		53065-0060-777
53065F	PB181398	COVER SEAT, TAIL, RH, P.S. WHITE		1		53065-0061-15S
53065G	PB181399	COVER SEAT, TAIL, RH, L. GREEN		1		53065-0061-777
53065H	PB181000	COVER SEAT, CNT, P.S. WHITE		1		53065-0062-15S
53065I	PB181001	COVER SEAT, CNT, L. GREEN		1		53065-0062-777
92009	PB113890	SCREW, 6X14		1		92009-1662
92015	PB113860	NUT, CLAMP, 6MM		1		92015-1531
92039	PB231220	RIVET		4		92039-0709
92075	PB111012	DAMPER		1		92075-1808
92152	PB131042	COLLAR, 5.8X8.2X4.7		2		92152-1697
92154	PB113864	BOLT, SOCKET, 5X16		4		92154-0182
92154A	PB114255	BOLT, SOCKET, 6X20		2		92154-0918
92154B	PB231255	BOLT, FLANGED, 5X12		2		92154-1003
92161	PB114268	DAMPER		14		92161-0631
92161A	PB401438	DAMPER		2		92161-1459
92161B	PB122081	DAMPER, 15X15X5		2		92161-1522
92200	PB351026	WASHER, 5.2X12X1.0		2		92200-0784
92210	PB351037	NUT, 5MM		2		92210-0817

This catalog covers:
'13 EX300ADF Chassis

GRID NO. **F-3** This grid covers:
Guard(s)

F2610

Ref. No.	BAL Part No.	Description	Spec Code	Quantity		KHI Ref. No.
				'13	ADF	
55020	PB231203	GUARD		1		55020-0775
130	PB113867	BOLT-FLANGED, 10X35		1		130BB1035
132	PB113868	BOLT-FLANGED-SMALL, 6X18		2		132BB0618

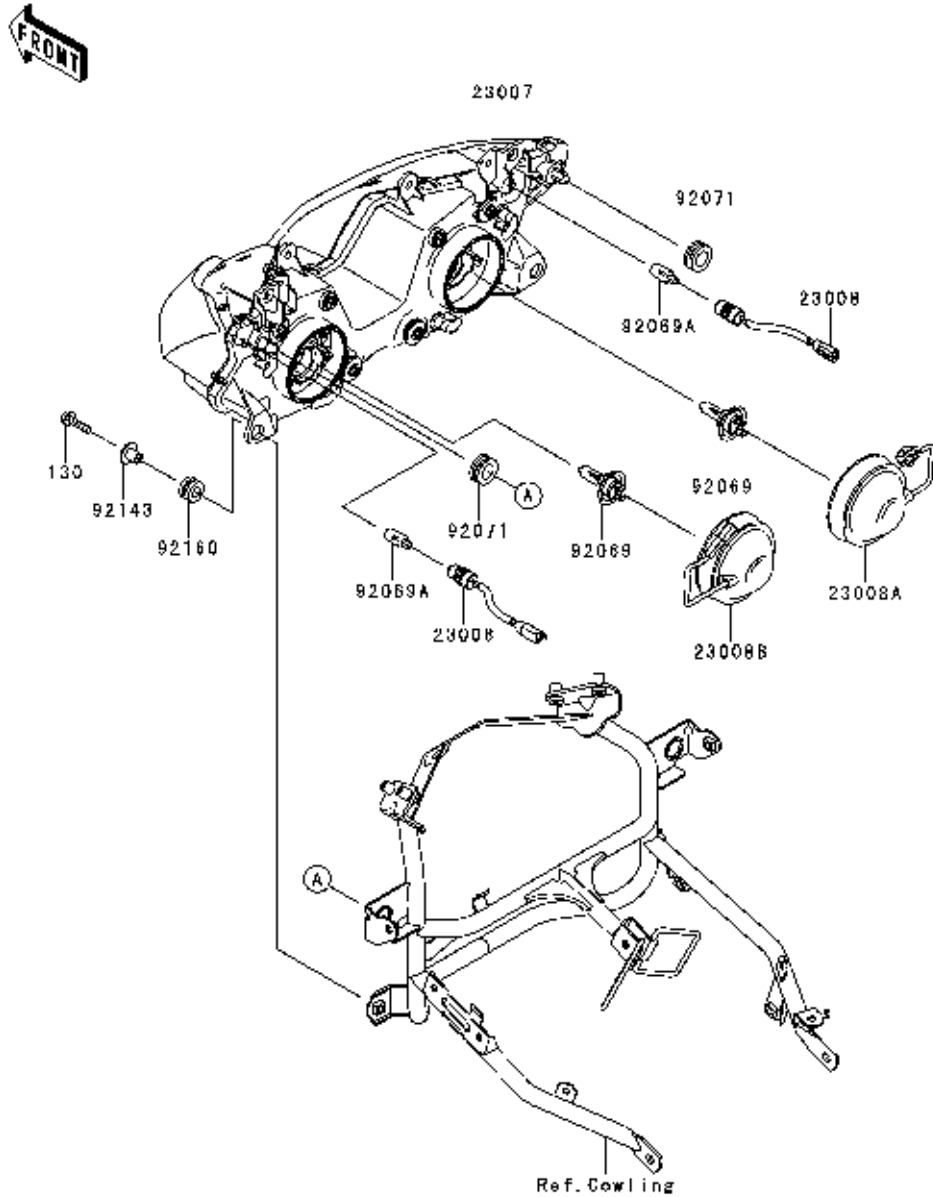


This catalog covers:
'13 EX300ADF Chassis

GRID NO. This grid covers:
F-4 Headlight(s)

F2710

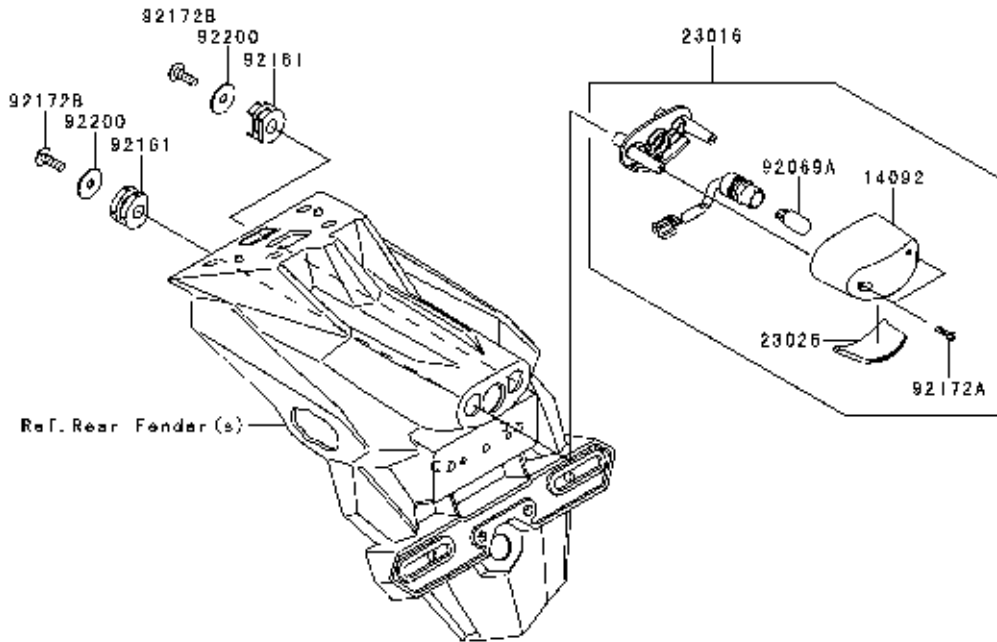
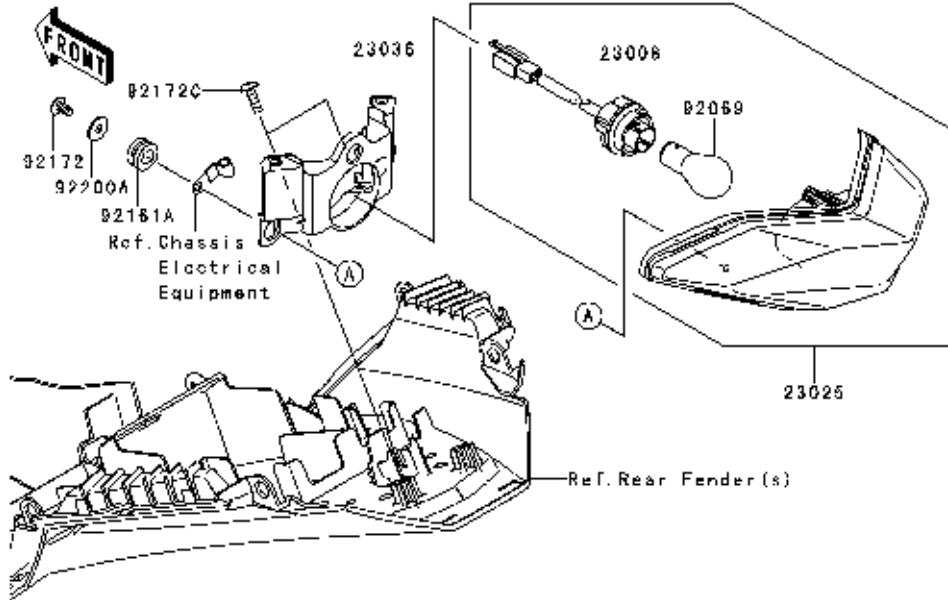
Ref. No.	BAL Part No.	Description	Spec Code	Quantity		KHI Ref. No.
				'13		
				ADF		
23007	PB401078	LENS-COMP		1		23007-0174
23008	PB401079	SOCKET-ASSY		2		23008-0131
23008A	PB401080	SOCKET-ASSY, LO BEAM		1		23008-0135
23008B	PB401081	SOCKET-ASSY, HI BEAM		1		23008-0136
92069	PB401077	BULB, 12V55W, H7		2		92069-0053
92069A	PB401028	BULB, 12V5W		2		92069-1016
92071	PB402229	GROMMET		2		92071-1131
92143	PB401030	COLLAR		2		92143-1353
92160	PB402421	DAMPER		2		92160-1167
130	PB113946	BOLT-FLANGED, 6X25		2		130BB0625



This catalog covers:
'13 EX300ADF Chassis

GRID NO. **F-5** This grid covers:
Taillight(s)

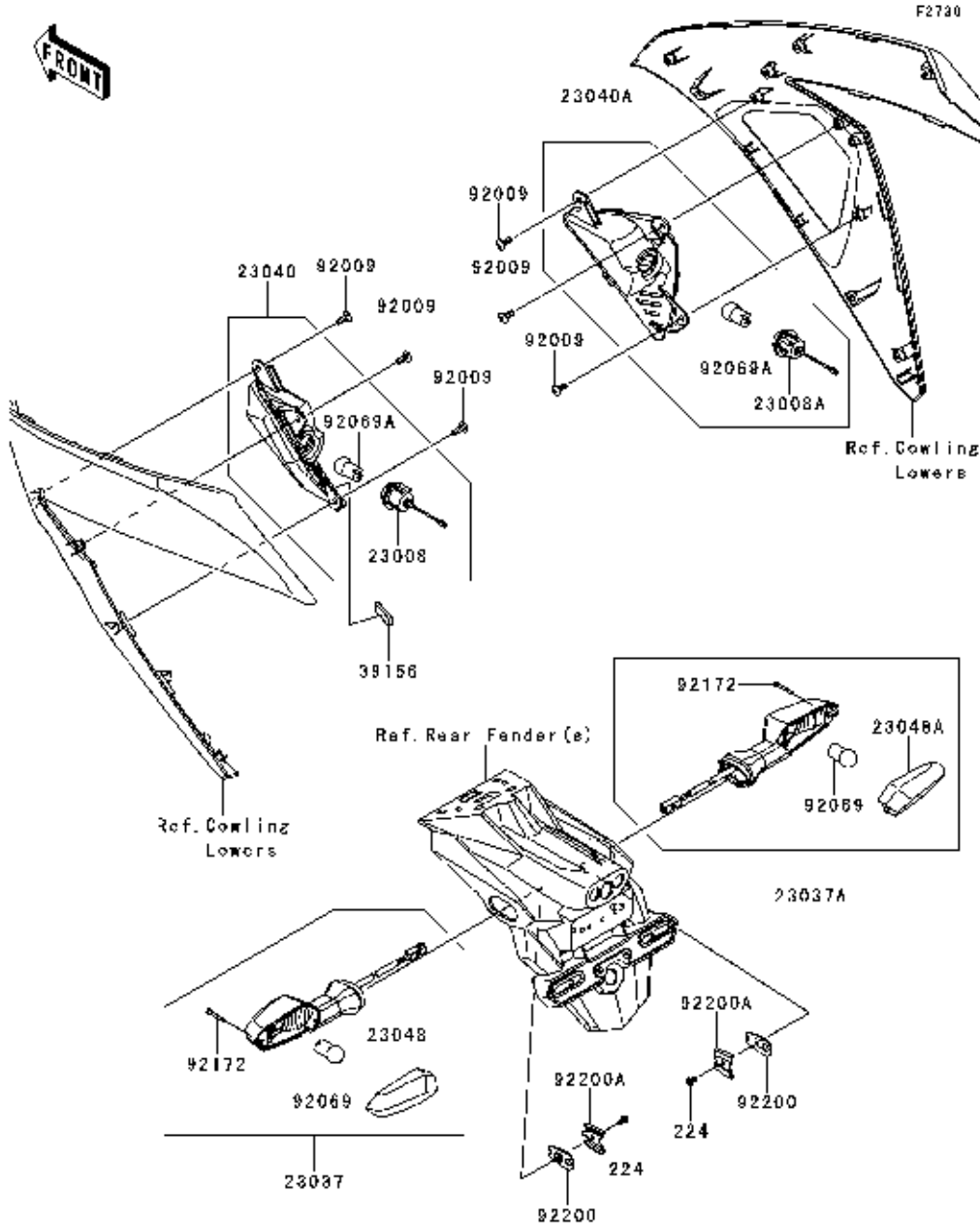
F2720



Ref. No.	BAL Part No.	Description	Spec Code	Quantity		KHI Ref. No.
				'13	ADF	
14092	PB401037	COVER, LICENSE LAMP		1		14092-0001
23008	PB401082	SOCKET-ASSY		1		23008-0138
23016	PB401085	LAMP-ASSY, LICENSE		1		23016-0557
23025	PB401086	LAMP-TAIL		1		23025-0326
23026	PB401045	LENS, LICENSE LAMP		1		23026-0015
23036	PB401087	BRACKET-TAIL LAMP		1		23036-0304
92069	PB401092	BULB, 12V21/5W		1		92069-063
92069A	PB401028	BULB, 12V5W		1		92069-1016
92161	PB401057	DAMPER		2		92161-0776
92161A	PB401440	DAMPER		3		92161-1462
92172	PB561024	SCREW, TAPPING, 5X10		3		92172-0262
92172A	PB113873	SCREW, TAPPING, 2.9X13		2		92172-0343
92172B	PB181421	SCREW, TAPPING, 5X16		2		92172-0427
92172C	PB114296	SCREW, TAPPING, 5X16		2		92172-0742
92200	PB401061	WASHER, 5.5X20X1.2		2		92200-0284
92200A	PB351024	WASHER, 5.2X16X1.2		3		92200-0583

This catalog covers:
'13 EX300ADF Chassis

GRID NO. **F-6** This grid covers:
Turn Signals



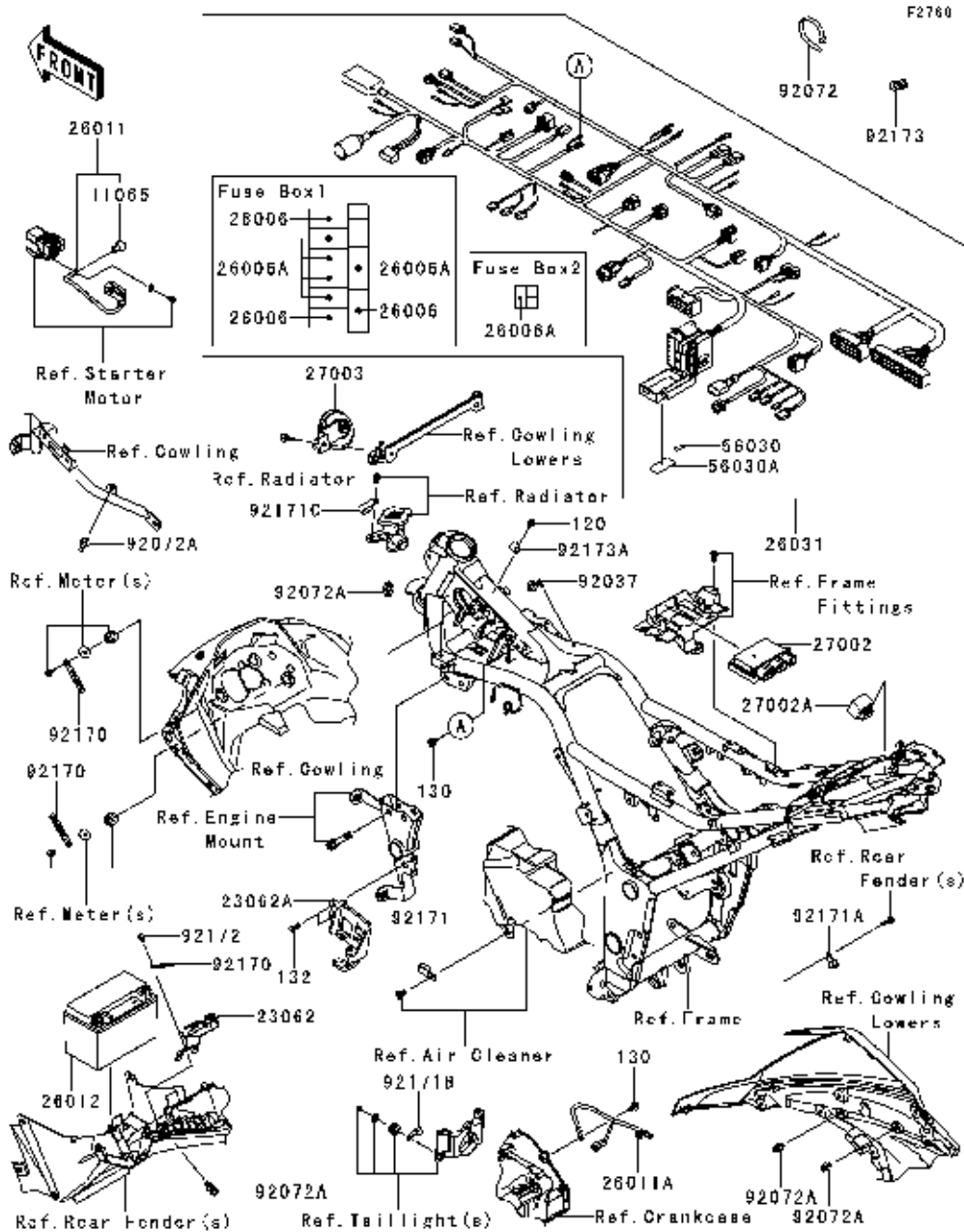
Ref. No.	BAL Part No.	Description	Spec Code	Quantity		KHI Ref. No.
				'13	ADF	
23008	PB401083	SOCKET-ASSY		1		23008-0139
23008A	PB401084	SOCKET-ASSY		1		23008-0144
23037	PB401088	LAMP-ASSY-SIGNAL, RR, LH		1		23037-0247
23037A	PB401089	LAMP-ASSY-SIGNAL, RR, RH		1		23037-0248
23040	PB401090	LAMP-SIGNAL, FR, LH		1		23040-0107
23040A	PB401091	LAMP-SIGNAL, FR, RH		1		23040-0108
23048	PB401050	LENS-SIGNAL LAMP, RR, LH		1		23048-0014
23048A	PB401051	LENS-SIGNAL LAMP, RR, RH		1		23048-0015
39156	PB591088	PAD,10X30X4		1		39156-0927
92009	PB402420	SCREW, TAPPING, 5X14		6		92009-1197
92069	PB401017	BULB, 12V10W		2		92069-0024
92069A	PB401072	BULB, 12V10W		2		92069-0058
92172	PB401058	SCREW, 2.9X22		2		92172-0395
92200	PB401059	WASHER, SIGNAL LAMP		2		92200-0164
92200A	PB401060	WASHER, SIGNAL LAMP		2		92200-0165
224	PB401038	SCREW-PAN-WP-CROS, 4X8		2		224AB0408

This catalog covers:
'13 EX300ADF Chassis

GRID NO.

F-7

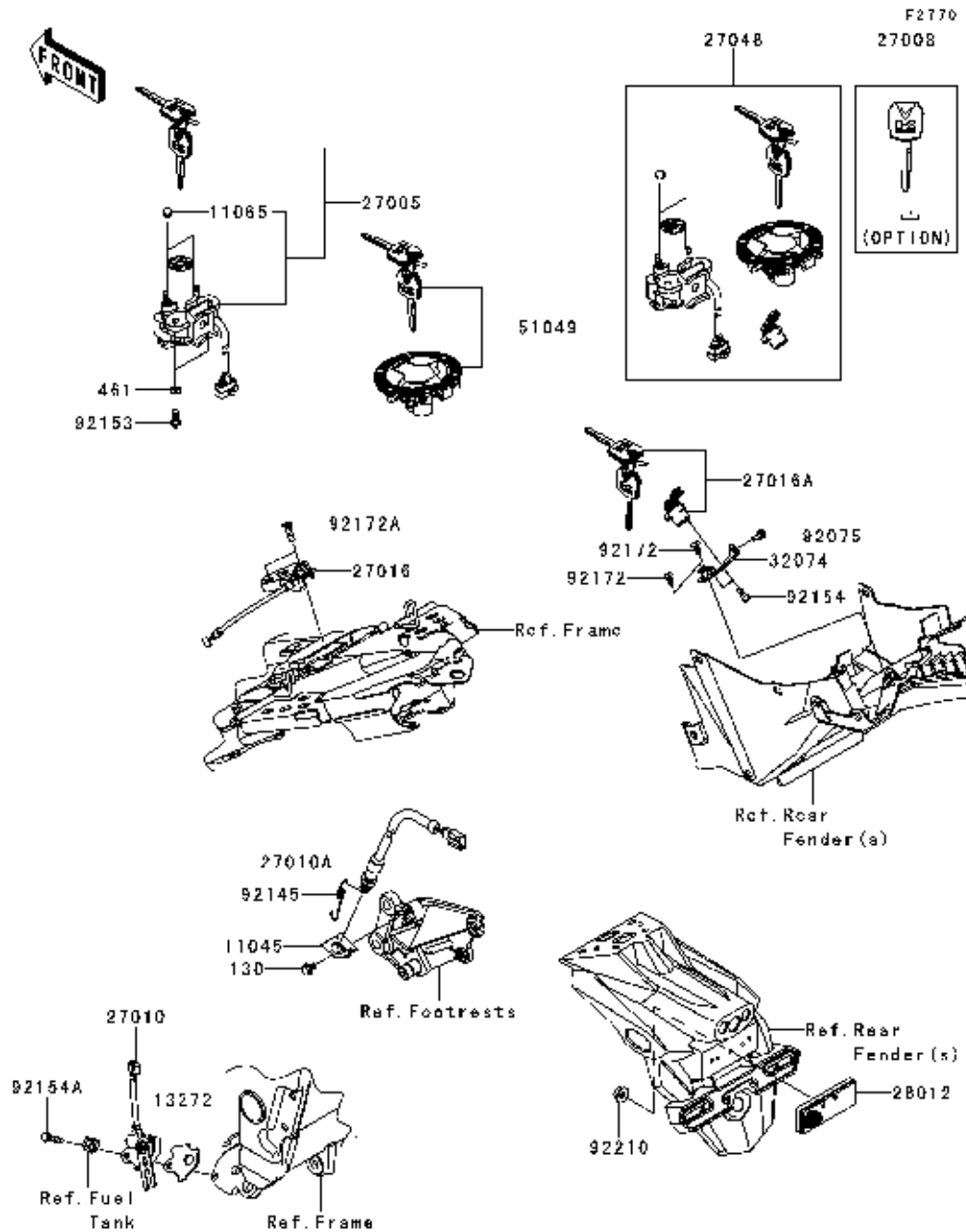
This grid covers:
Chassis Electrical Equipment



Ref. No.	BAL Part No.	Description	Spec Code	Quantity		KHI Ref. No.
				'13	ADF	
11065	PB402202	CAP		1		11065-0213
23062	PB191024	BRACKET-COMP		1		23062-0739
23062A	PB191026	BRACKET-COMP		1		23062-0781
26006	PB402212	FUSE, MINI BLADE, 15A, BLUE		3		26006-0001
26006A	PB402214	FUSE, MINI BLADE, 10A, RED		6		26006-1078
26011	PB401612	WIRE-LEAD, BATTERY (+)		1		26011-0798
26011A	PB401613	WIRE-LEAD, BATTERY (-)		1		26011-0803
26012	PB401808	BATTERY, FTX9-BS, 12V8AH		1		26012-0608
26031	PB402225	HARNESS, MAIN		1		26031-1513
27002	PB401601	RELAY-ASSY		1		27002-0007
27002A	PB401615	RELAY-ASSY		1		27002-0059
27003	PB401616	HORN		1		27003-0085
56030	PB233028	LABEL, FUSEBOX2		1		56030-0706
56030A	PB233042	LABEL, FUSEBOX1		1		56030-0779
92037	PB402205	CLAMP, SPEED, L=58		1		92037-1163
92072	PB402207	BAND, L=202		6		92072-1195
92072A	PB402208	BAND		7		92072-1414
92170	PB581056	CLAMP		3		92170-1514
92171	PB402209	CLAMP		1		92171-0305
92171A	PB402210	CLAMP		1		92171-0389
92171B	PB581057	CLAMP		1		92171-1539
92171C	PB581058	CLAMP		1		92171-1597
92172	PB561024	SCREW, TAPPING, 5X10		1		92172-0262
92173	PB581220	CLAMP		1		92173-0907
92173A	PB581225	CLAMP		1		92173-0978
120	PB231206	BOLT-SOCKET, 6X10		1		120CA0610
130	PB113910	BOLT-FLANGED, 6X10		2		130BB0610
132	PB131889	BOLT-FLANGED-SMALL, 6X14		2		132BA0614

This catalog covers:
'13 EX300ADF Chassis

GRID NO. F-8 This grid covers:
Ignition Switch



Ref. No.	BAL Part No.	Description	Spec Code	Quantity		KHI Ref. No.
				'13	ADF	
11045	PB401401	BRACKET, REAR BRAKE SWITCH		1		11045-1641
11065	PB114140	CAP, IGNITION SWITCH		2		11065-0708
13272	PB561233	PLATE		1		13272-1330
27005	PB232604	SWITCH-ASSY-IGNITION		1		27005-5144
27008	PB232600	KEY-LOCK, BLANK		1		27008-0053
27010	PB401400	SWITCH, SIDE STAND		1		27010-0097
27010A	PB401430	SWITCH, REAR BRAKE		1		27010-0726
27016	PB232611	LOCK-ASSY, SEAT STRIKER		1		27016-0075
27016A	PB232612	LOCK-ASSY		1		27016-5378
27048	PB232613	SWITCH-ASSY		1		27048-5008
28012	PB401023	REFLECTOR-REFLEX		1		28012-1077
32074	PB232614	BRACKET-LOCK		1		32074-0018
51049	PB171602	CAP-TANK, FUEL		1		51049-5007
92075	PB111012	DAMPER		1		92075-1808
92145	PB401403	SPRING, BRAKE LAMP SWITCH		1		92145-0683
92153	PB113879	BOLT, TORX, 6X16		2		92153-0967
92154	PB231239	BOLT, SOCKET, 6X12		2		92154-0933
92154A	PB231261	BOLT, FLANGED, 6X30		1		92154-1040
92172	PB561024	SCREW, TAPPING, 5X10		2		92172-0262
92172A	PB131604	SCREW, 6X20		2		92172-0786
92210	PB113877	NUT, FLANGED, 5MM		1		92210-0007
130	PB113853	BOLT-FLANGED, 6X10		1		130BA0610
461	PB113878	WASHER-SPRING, 6MM		2		461DA0600

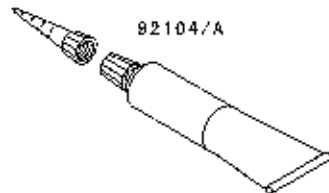
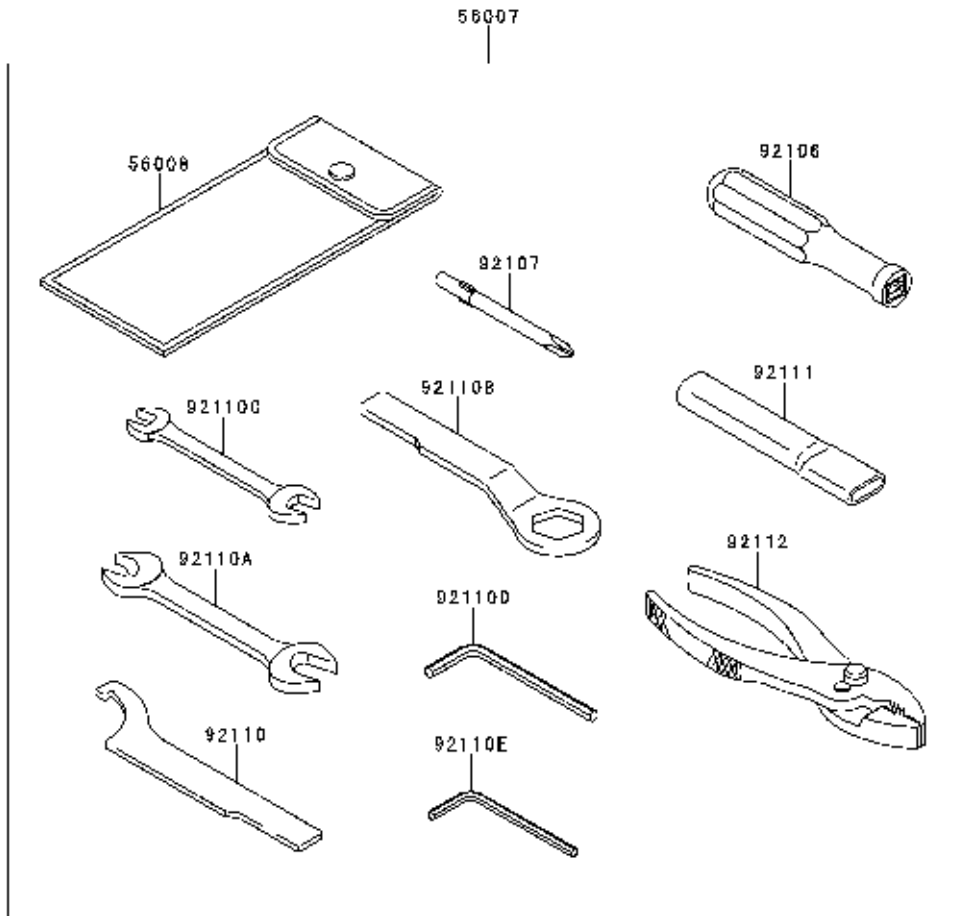
This catalog covers:
'13 EX300ADF Chassis

GRID NO. **F-9** This grid covers:
Owner's Tools

F2010

Ref. No.	BAL Part No.	Description	Spec Code	Quantity	KHI Ref. No.
				'13	
				ADF	

56007	PB231038	TOOL-KIT		1	56007-0107
56008	PB231039	BAG, TOOL		1	56008-0036
92104	PB114115	GASKET-LIQUID, TB1211F, CLEAR		1	92104-0004
92104A	PB114116	GASKET-LIQUID, TB1216B, BLACK		1	92104-1064
92106	PB231040	GRIP-SCREW DRIVER		1	92106-0004
92107	PB231041	TOOL-DRIVER, #2PHILLIPS		1	92107-0020
92110	PB231007	TOOL-WRENCH, HOOK		1	92110-0040
92110A	PB231042	TOOL-WRENCH, OPEN END, 14X17		1	92110-0057
92110B	PB231043	TOOL-WRENCH, BOX END, 24MM		1	92110-0066
92110C	PB231044	TOOL-WRENCH, OPEN END, 10X12		1	92110-0564
92110D	PB231035	TOOL-WRENCH, ALLEN, 5MM		1	92110-0566
92110E	PB231036	TOOL-WRENCH, ALLEN, 4MM		1	92110-0567
92111	PB231045	TOOL-BAR, WRENCH		1	92111-0008
92112	PB231046	TOOL-PLIERS		1	92112-0007



This catalog covers:

'13 EX300ADF Chassis

GRID NO.

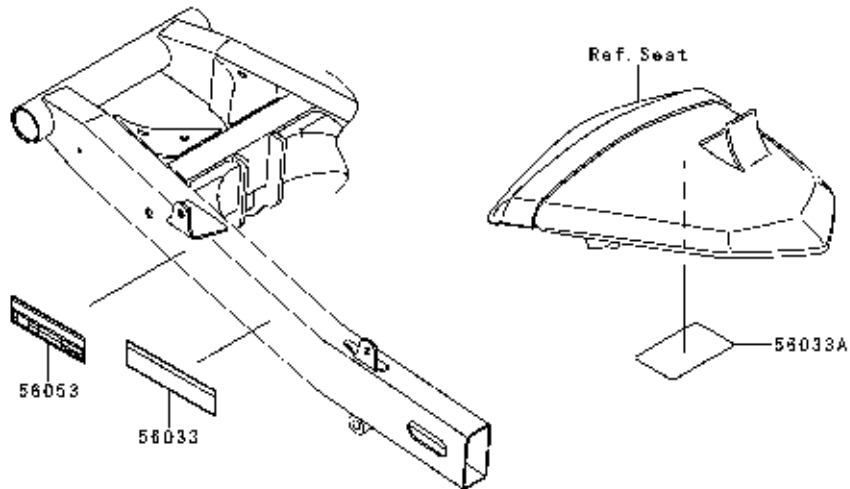
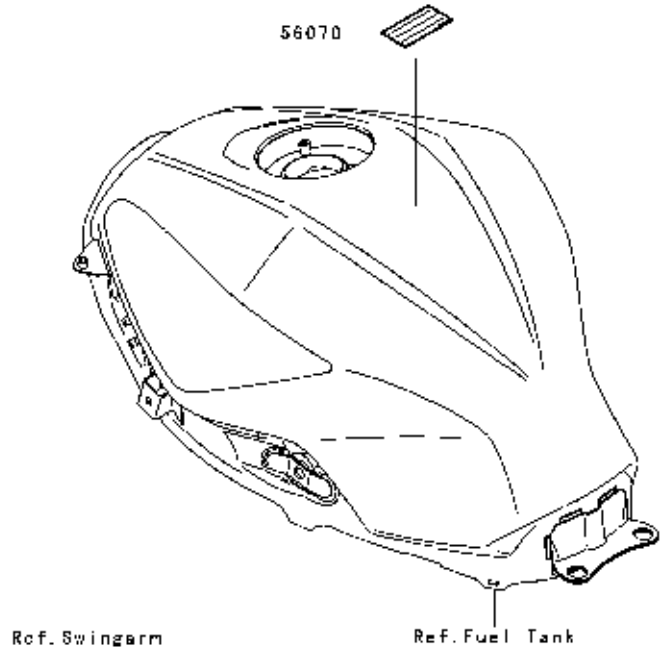
F-10

This grid covers:

Labels

F2980

Ref. No.	BAL Part No.	Description	Spec Code	Quantity		KHI Ref. No.
				'13	ADF	
56033	PB233043	LABEL-MANUAL, CHAIN		1		56033-0774
56033A	PB233044	LABEL-MANUAL, DAILY SAFETY		1		56033-0780
56053	PB233045	LABEL-SPECIFICATION, TIRE & LOAD		1		56053-0732
56070	PB233005	LABEL, UNLEADED PETROL ONLY		1		56070-1143



This catalog covers:

'13 EX300ADF Chassis

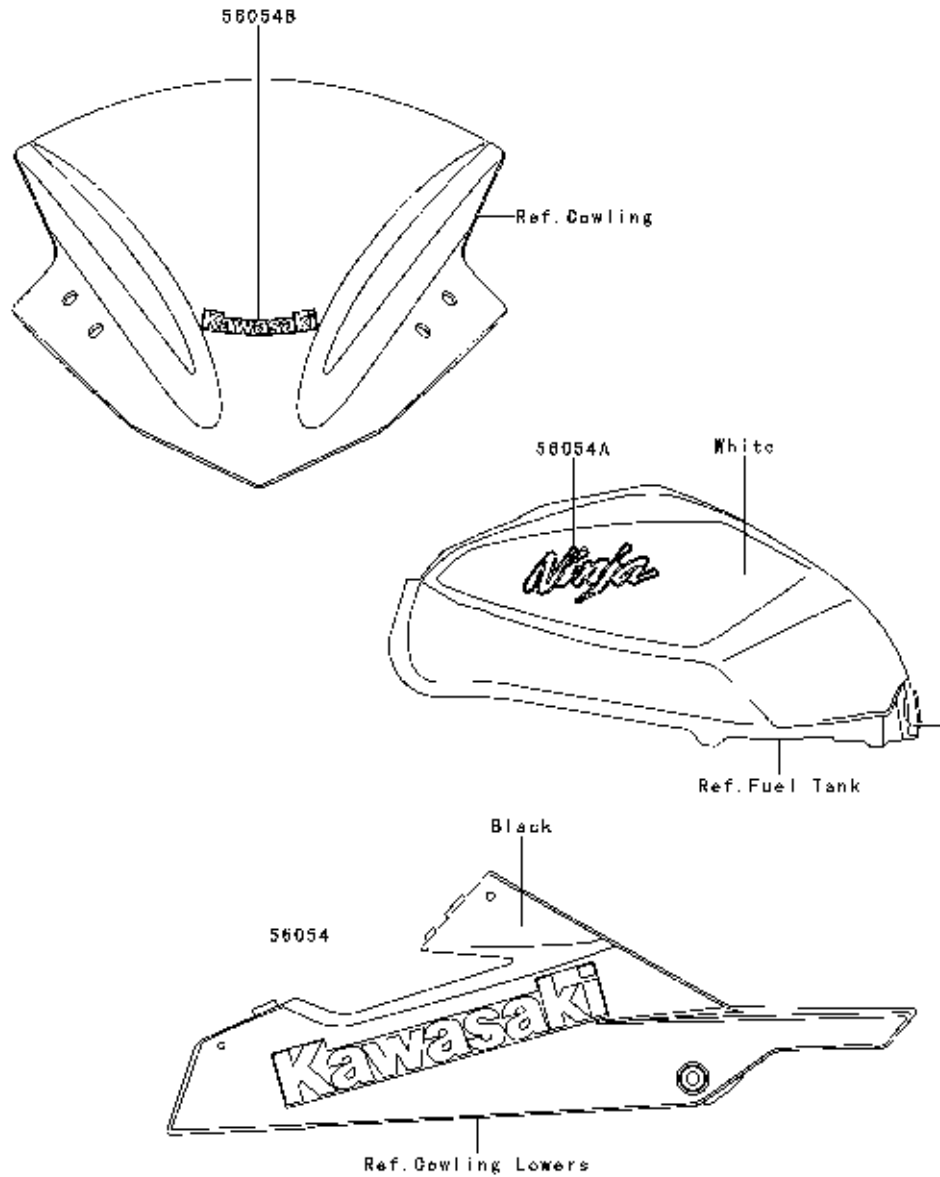
GRID NO.

F-11

This grid covers:

Decals(White)

F2981



Ref. No.	BAL Part No.	Description	Spec Code	Quantity		KHI Ref. No.
				'13	ADF	
56054	PB233047	MARK, LWR COWL., KAWASAKI		2		56054-1084
56054A	PB233048	MARK, TANK, NINJA		2		56054-1086
56054B	PB233049	MARK, WINDSHIELD, KAWASAKI		1		56054-1088

This catalog covers:

'13 EX300ADF Chassis

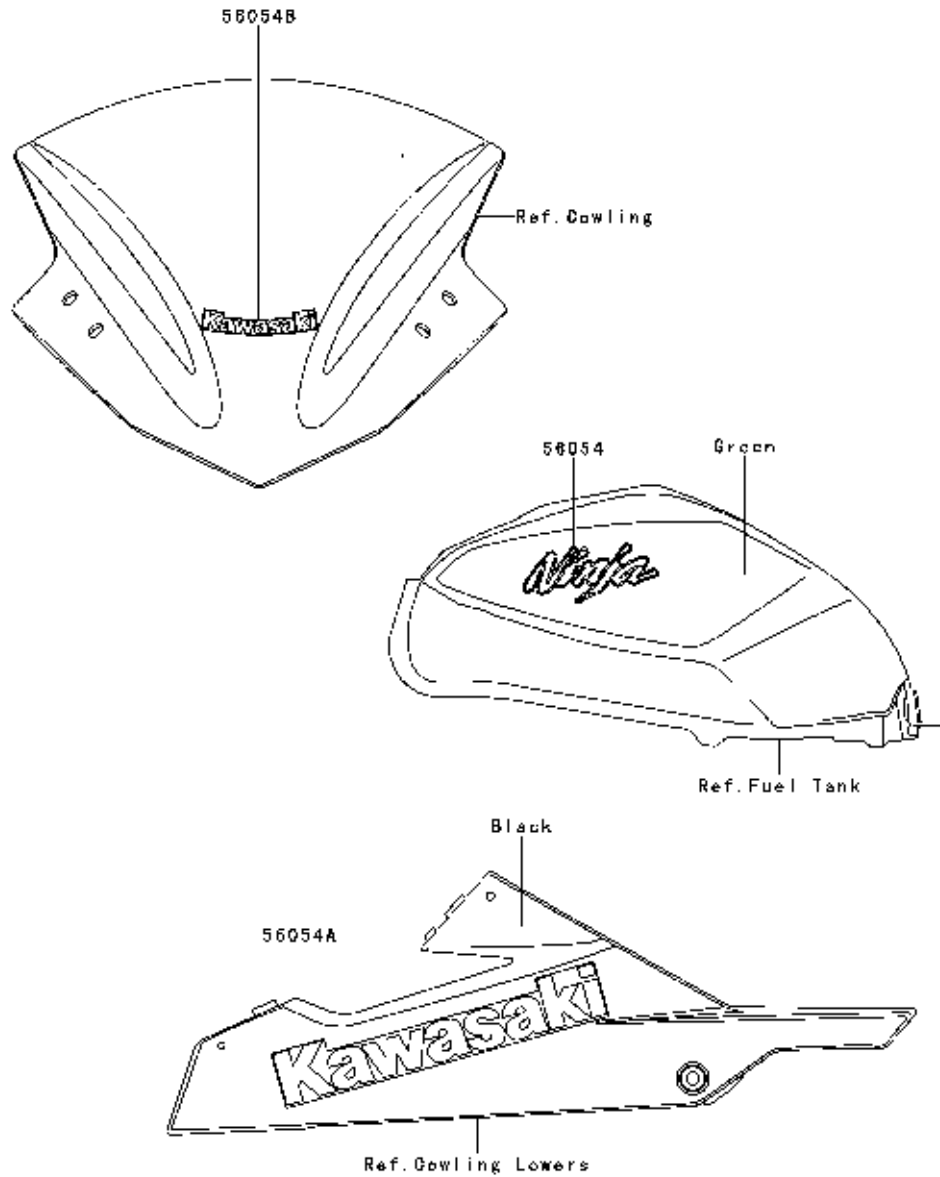
GRID NO.

F-12

This grid covers:

Decals(Green)

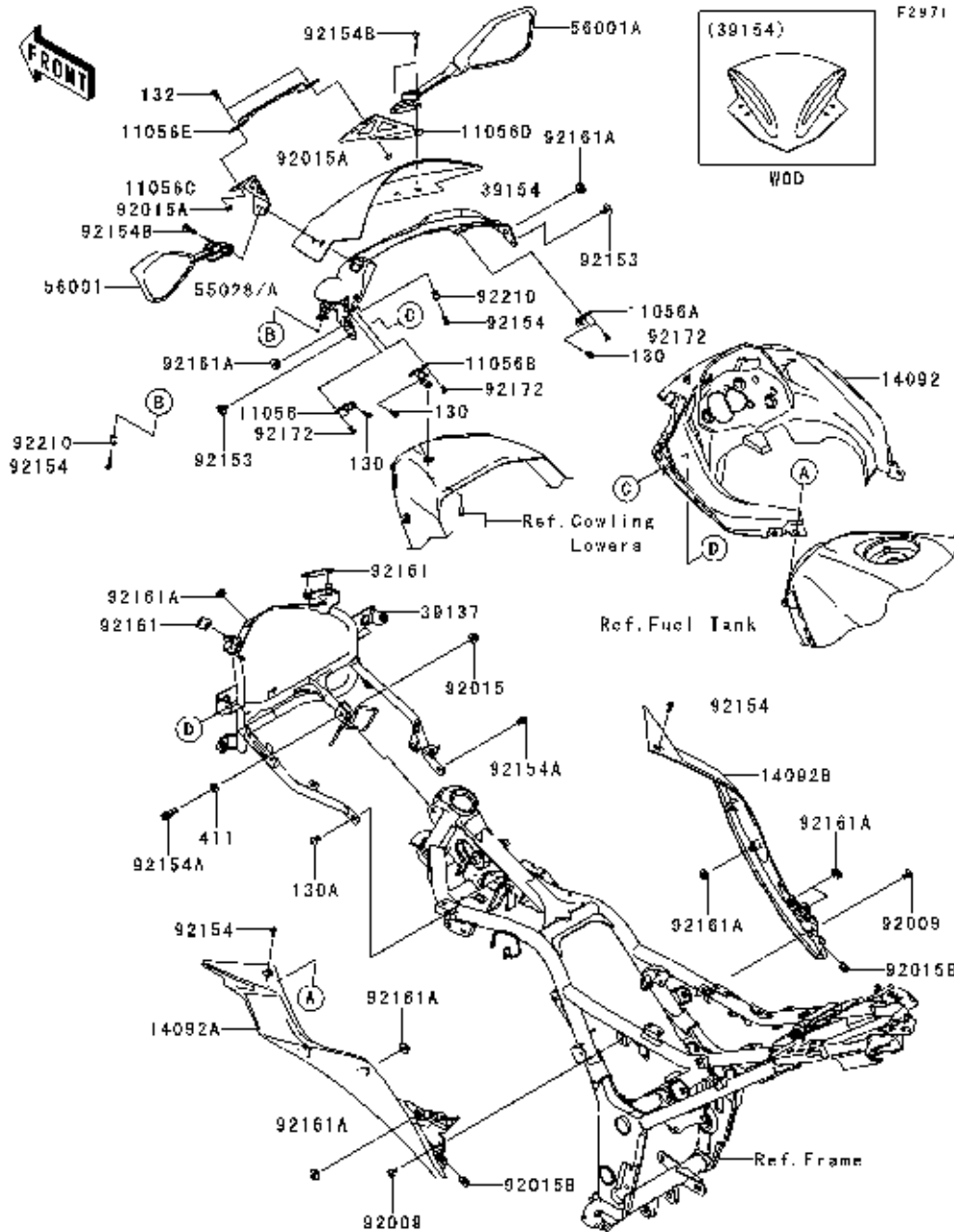
F2981A



Ref. No.	BAL Part No.	Description	Spec Code	Quantity		KHI Ref. No.
				'13	ADF	
56054	PB233046	MARK, FUEL TANK, NINJA		2		56054-0845
56054A	PB233047	MARK, LWR COWL., KAWASAKI		2		56054-1084
56054B	PB233049	MARK, WINDSHIELD, KAWASAKI		1		56054-1088

This catalog covers:
'13 EX300ADF Chassis

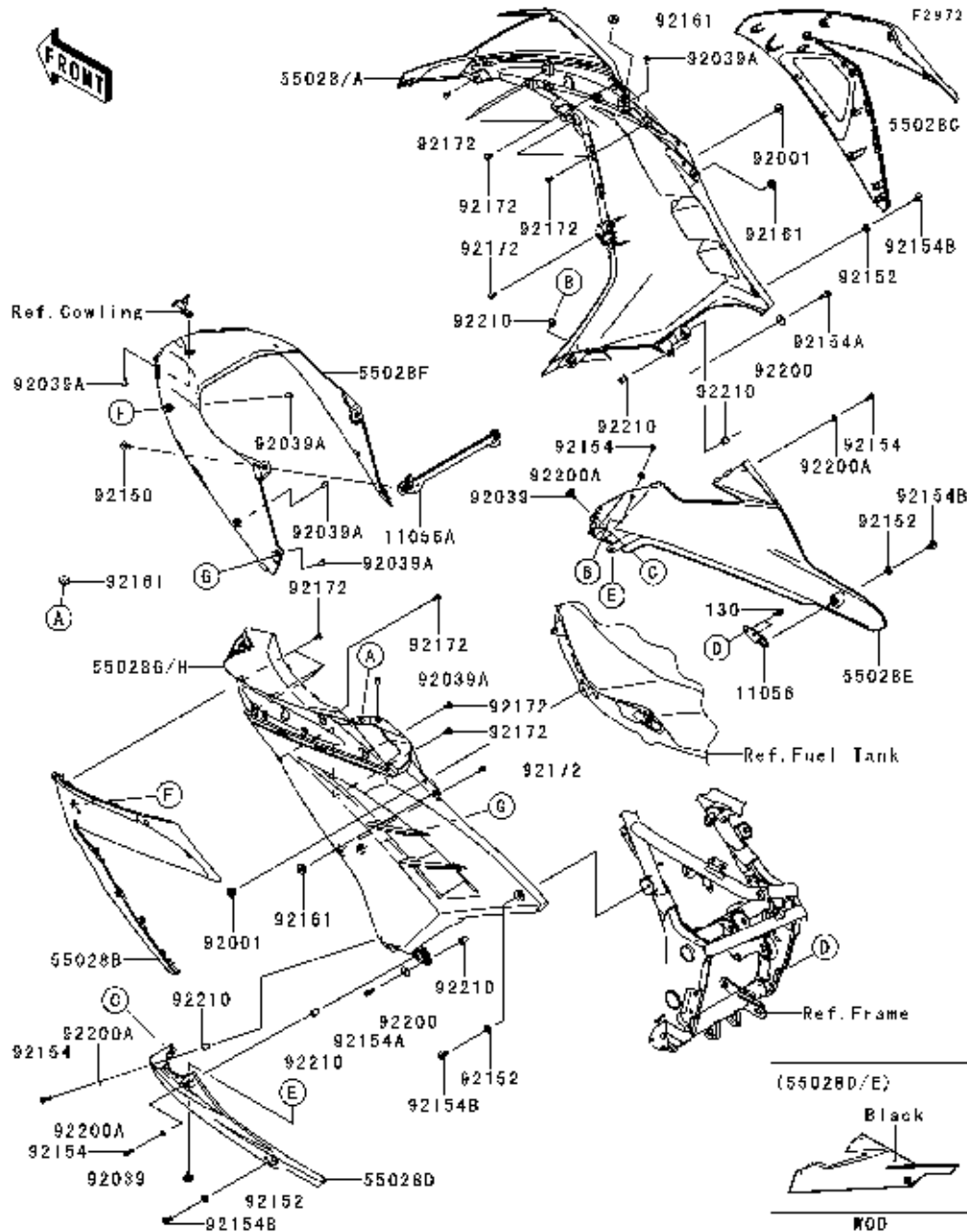
GRID NO. F-13 This grid covers:
Cowling



Ref. No.	BAL Part No.	Description	Spec Code	Quantity		KHI Ref. No.
				'13	ADF	
11056	PB114320	BRACKET, COWL. STAY, LH		1		11056-1608
11056A	PB114321	BRACKET, COWL. STAY, RH		1		11056-1610
11056B	PB114322	BRACKET, COWL. STAY		1		11056-1611
11056C	PB114328	BRACKET, LICENSE PLATE, LH		1		11056-1813
11056D	PB114331	BRACKET, LICENSE PLATE, RH		1		11056-1965
11056E	PB114338	BRACKET, LICENSE		1		11056-2485
14092	PB181380	COVER, METER		1		14092-0921
14092A	PB181381	COVER, TANK, LH		1		14092-0922
14092B	PB181382	COVER, TANK, RH		1		14092-0923
39137	PB181388	STAY-COMP, COWLING, F.S. BLACK		1		39137-0565-18R
39154	PB181391	WINDSHIELD		1		39154-0318
55028	PB184007	COWLING, UPP, P.S. WHITE		1		55028-0472-15S
55028A	PB184008	COWLING, UPP, L. GREEN		1		55028-0472-777
56001	PB231609	MIRROR-ASSY, LH		1		56001-0249
56001A	PB231610	MIRROR-ASSY, RH		1		56001-0250
92009	PB113890	SCREW, 6X14		2		92009-1662
92015	PB231219	NUT, CAP, 8MM, BLACK		1		92015-1174
92015A	PB113856	NUT, FLANGED, 6MM, BLACK		2		92015-1233
92015B	DP181009	NUT, 5MM		2		92015-1627
92153	PB231231	BOLT, 6X16		2		92153-1423
92154	PB113864	BOLT, SOCKET, 5X16		4		92154-0182
92154A	PB231258	BOLT, SOCKET, 8X14		2		92154-1032
92154B	PB231412	BOLT, SOCKET, 6X25		4		92154-1142
92161	PB561238	DAMPER		2		92161-1467
92161A	PB122082	DAMPER		9		92161-1531
92172	PB561024	SCREW, TAPPING, 5X10		6		92172-0262
92210	PB113825	NUT, WELL, 5MM		2		92210-0498
130	PB401409	BOLT-FLANGED, 5X12		3		130BA0512
130A	PB231209	BOLT-FLANGED, 8X25		1		130BB0825
132	PB114079	BOLT-FLANGED-SMALL, 6X12		2		132BB0612
411	PB113886	WASHER-PLAIN, 8.5X18X1.6		1		411AB0800

This catalog covers:
'13 EX300ADF Chassis

GRID NO. This grid covers:
F-14 Cowling Lower



Ref. No.	BAL Part No.	Description	Spec Code	Quantity		KHI Ref. No.
				'13		
				ADF		
11056	PB114327	BRACKET, LWR COWL., RH		1		11056-1641
11056A	PB114330	BRACKET, RADIATOR		1		11056-1909
55028	PB184000	COWLING, CNT, RH, P.S. WHITE		1		55028-0417-15S
55028A	PB184001	COWLING, CNT, RH, L. GREEN		1		55028-0417-777
55028B	PB184002	COWLING, SIDE, LH		1		55028-0418
55028C	PB184003	COWLING, SIDE, RH		1		55028-0419
55028D	PB184004	COWLING, LWR, LH, F.S. BLACK		1		55028-0420-18T
55028E	PB184005	COWLING, LWR, RH, F.S. BLACK		1		55028-0421-18T
55028F	PB184006	COWLING, FR, INNER		1		55028-0422
55028G	PB184009	COWLING, CNT, LH, P.S. WHITE		1		55028-0475-15S
55028H	PB184010	COWLING, CNT, LH, L. GREEN		1		55028-0475-777
92001	PB231216	BOLT, 6X12		2		92001-1771
92039	PB113892	RIVET, HOLE 8MM		2		92039-0014
92039A	PB231220	RIVET		9		92039-0709
92150	PB231222	BOLT, 6X16		2		92150-1198
92152	PB131037	COLLAR		4		92152-0445
92154	PB113864	BOLT, SOCKET, 5X16		4		92154-0182
92154A	PB231237	BOLT, FLANGED, 5X18		2		92154-0785
92154B	PB231238	BOLT, SOCKET, 6X14		4		92154-0932
92161	PB122082	DAMPER		4		92161-1531
92172	PB131608	SCREW, 5X12		14		92172-0821
92200	PB401061	WASHER, 5.5X20X1.2		2		92200-0284
92200A	PB351026	WASHER, 5.2X12X1.0		4		92200-0784
92210	PB113825	NUT, WELL, 5MM		6		92210-0498
130	PB114209	BOLT-FLANGED, 6X14		2		130BA0614

This catalog covers:

'13 EX300ADF Chassis

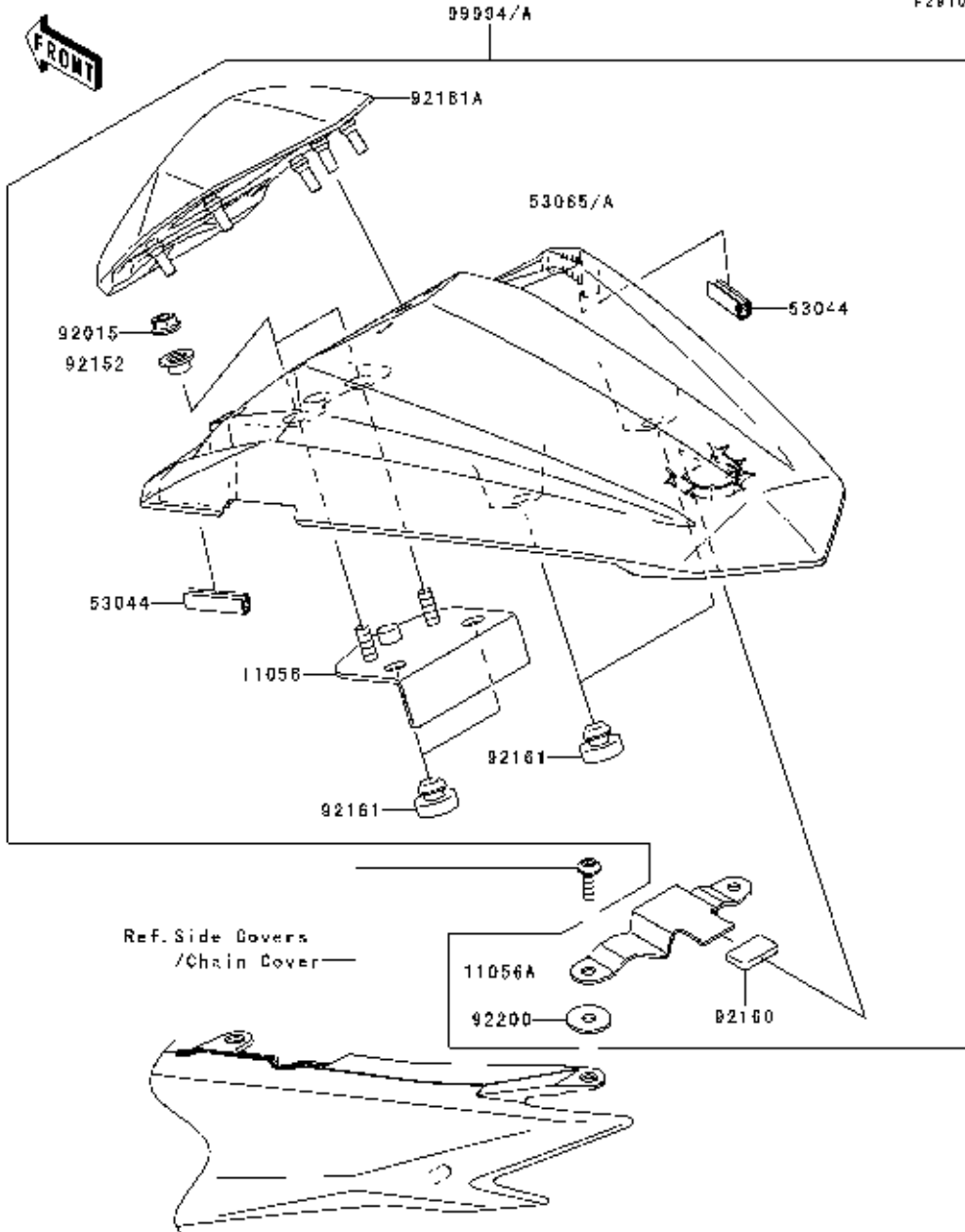
GRID NO.

G-3

This grid covers:

Accessory(Single Seat Cover)

F2610



Ref. No.	BAL Part No.	Description	Spec Code	Quantity		KHI Ref. No.
				'13	ADF	
11056	PB114329	BRACKET		1		11056-1823
11056A	PB114337	BRACKET		1		11056-2403
53044	PB114227	TRIM, L=30		2		53044-0001
53065	PB181002	COVER SEAT, P.S. WHITE		1		53065-0064-15S
53065A	PB181003	COVER SEAT, L. GREEN		1		53065-0064-777
92015	PB114099	NUT, FLANGED, 6MM		2		92015-1367
92152	PB181403	COLLAR, 6.8X10(16)X6.6		2		92152-0842
92160	PB401433	DAMPER		1		92160-1190
92161	PB401434	DAMPER		4		92161-0046
92161A	PB401439	DAMPER, CUSHION		1		92161-1460
92200	PB351022	WASHER, 6X20X1.6		2		92200-0212
99994	PB191032	KIT, SINGLE SEAT, P.S. WHITE		1		99994-0354-15S
99994A	PB191033	KIT, SINGLE SEAT, L. GREEN		1		99994-0354-777

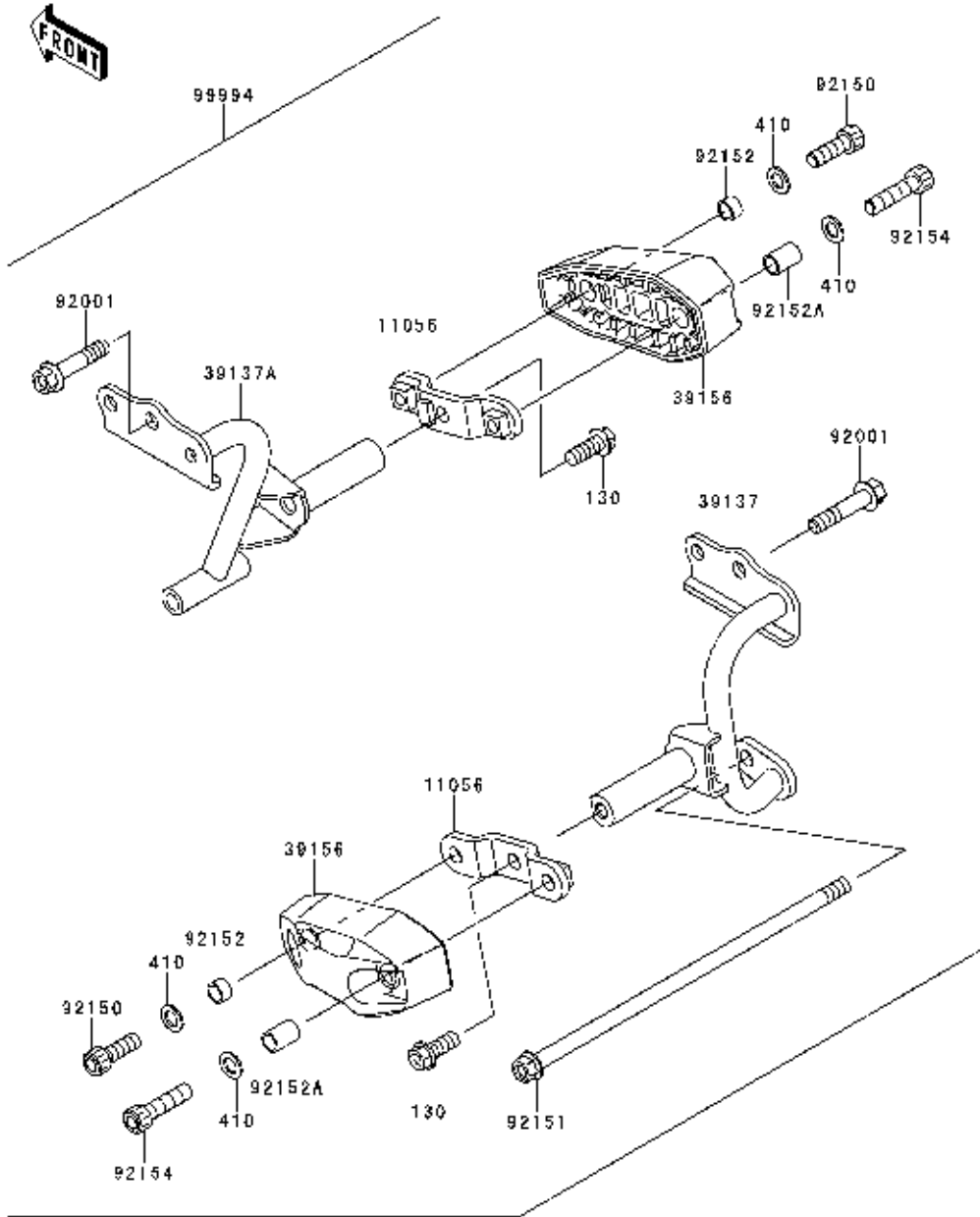
This catalog covers:
'13 EX300ADF Chassis

GRID NO.

G-4

This grid covers:
Accessory(Engine Guard)

F2610A



Ref. No.	BAL Part No.	Description	Spec Code	Quantity		KHI Ref. No.
				'13	ADF	
11056	PB114332	BRACKET		2		11056-2117
39137	PB181389	STAY-COMP		1		39137-0568
39137A	PB181390	STAY-COMP		1		39137-0569
39156	PB591069	PAD, ENGINE GUARD		2		39156-0758
92001	PB231215	BOLT, BLACK, 10X47		4		92001-1522
92150	PB231224	BOLT, SOCKET, 10X30		2		92150-1690
92151	PB231226	BOLT, FLANGED, 10X280		1		92151-1916
92152	PB131030	COLLAR, 10.6X13.8X7.8		2		92152-1661
92152A	PB131031	COLLAR, 10.6X13.8X19.8		2		92152-1662
92154	PB231410	BOLT, SOCKET, 10X40		2		92154-1084
99994	PB231262	KIT-ACCESSORY, ENGINE GUARD		1		99994-0355
130	PB231210	BOLT-FLANGED, 10X25		2		130BB1025
410	PB114225	WASHER-PLAIN-SMALL, 10MM, BLACK		4		410AB1000

This catalog covers:

'13 EX300ADF

GRID NO.

B-16

This grid covers:

Part Name Index

Accessory(Engine Guard).....	G-4
Accessory(Single Seat Cover).....	G-3
Air Cleaner.....	B-6
Brake Pedal.....	E-3
Cables.....	E-13
Camshaft(s).....	B-9
Chain Cover.....	E-14
Chassis Electrical Equipment.....	F-7
Clutch.....	B-11
Cowling.....	F-13
Cowling Lowers.....	F-14
Crankcase.....	C-3
Crankcase Bolt Pattern.....	C-4
Crankshaft.....	B-10
Cylinder.....	B-5
Cylinder Head.....	B-3
Cylinder Head Cover.....	B-4
Decals(Green).....	F-12
Decals(White).....	F-11
Engine Cover(s).....	C-5
Engine Mount.....	D-4
Footrests.....	D-8
Frame.....	D-3
Frame Fittings.....	D-5
Front Brake.....	E-5
Front Fender(s).....	D-9
Front Fork.....	E-9
Front Hub.....	D-13
Front Master Cylinder.....	E-4
Fuel Injection.....	C-8
Fuel Pump.....	C-7
Fuel Tank.....	E-10
Gear Change Drum.....	B-13
Gear Change Mechanism.....	B-14

Generator.....	C-10
Guard(s).....	F-3
Handlebar.....	E-8
Headlight(s).....	F-4
Ignition Switch.....	F-8
Ignition System.....	C-11
Labels.....	F-10
Meter(s).....	E-12
Muffler(s).....	B-7
Oil Pump.....	C-9
Owner's Tools.....	F-9
Piston(s).....	B-5
Radiator.....	C-13
Rear Brake.....	E-7
Rear Fender(s).....	D-10
Rear Hub.....	D-14
Rear Master Cylinder.....	E-6
Seat.....	E-11
Shift Fork(s).....	B-13
Shock Absorber.....	D-7
Side Covers.....	E-14
Stand(s).....	D-11
Starter Motor.....	C-12
Suspension.....	D-7
Swingarm.....	D-6
Taillight(s).....	F-5
Tensioner.....	B-9
Throttle.....	C-6
Tires.....	D-12
Transmission.....	B-12
Turn Signals.....	F-6
Valve(s).....	B-8
Water Pipe.....	C-14

This catalog covers:

'13 EX300ADF

GRID NO.

C-16

This grid covers:

Part Name Index

Accessory(Engine Guard).....	G-4
Accessory(Single Seat Cover).....	G-3
Air Cleaner.....	B-6
Brake Pedal.....	E-3
Cables.....	E-13
Camshaft(s).....	B-9
Chain Cover.....	E-14
Chassis Electrical Equipment.....	F-7
Clutch.....	B-11
Cowling.....	F-13
Cowling Lowers.....	F-14
Crankcase.....	C-3
Crankcase Bolt Pattern.....	C-4
Crankshaft.....	B-10
Cylinder.....	B-5
Cylinder Head.....	B-3
Cylinder Head Cover.....	B-4
Decals(Green).....	F-12
Decals(White).....	F-11
Engine Cover(s).....	C-5
Engine Mount.....	D-4
Footrests.....	D-8
Frame.....	D-3
Frame Fittings.....	D-5
Front Brake.....	E-5
Front Fender(s).....	D-9
Front Fork.....	E-9
Front Hub.....	D-13
Front Master Cylinder.....	E-4
Fuel Injection.....	C-8
Fuel Pump.....	C-7
Fuel Tank.....	E-10
Gear Change Drum.....	B-13
Gear Change Mechanism.....	B-14

Generator.....	C-10
Guard(s).....	F-3
Handlebar.....	E-8
Headlight(s).....	F-4
Ignition Switch.....	F-8
Ignition System.....	C-11
Labels.....	F-10
Meter(s).....	E-12
Muffler(s).....	B-7
Oil Pump.....	C-9
Owner's Tools.....	F-9
Piston(s).....	B-5
Radiator.....	C-13
Rear Brake.....	E-7
Rear Fender(s).....	D-10
Rear Hub.....	D-14
Rear Master Cylinder.....	E-6
Seat.....	E-11
Shift Fork(s).....	B-13
Shock Absorber.....	D-7
Side Covers.....	E-14
Stand(s).....	D-11
Starter Motor.....	C-12
Suspension.....	D-7
Swingarm.....	D-6
Taillight(s).....	F-5
Tensioner.....	B-9
Throttle.....	C-6
Tires.....	D-12
Transmission.....	B-12
Turn Signals.....	F-6
Valve(s).....	B-8
Water Pipe.....	C-14

This catalog covers:

'13 EX300ADF

GRID NO.

D-16

This grid covers:

Part Name Index

Accessory(Engine Guard).....	G-4
Accessory(Single Seat Cover).....	G-3
Air Cleaner.....	B-6
Brake Pedal.....	E-3
Cables.....	E-13
Camshaft(s).....	B-9
Chain Cover.....	E-14
Chassis Electrical Equipment.....	F-7
Clutch.....	B-11
Cowling.....	F-13
Cowling Lowers.....	F-14
Crankcase.....	C-3
Crankcase Bolt Pattern.....	C-4
Crankshaft.....	B-10
Cylinder.....	B-5
Cylinder Head.....	B-3
Cylinder Head Cover.....	B-4
Decals(Green).....	F-12
Decals(White).....	F-11
Engine Cover(s).....	C-5
Engine Mount.....	D-4
Footrests.....	D-8
Frame.....	D-3
Frame Fittings.....	D-5
Front Brake.....	E-5
Front Fender(s).....	D-9
Front Fork.....	E-9
Front Hub.....	D-13
Front Master Cylinder.....	E-4
Fuel Injection.....	C-8
Fuel Pump.....	C-7
Fuel Tank.....	E-10
Gear Change Drum.....	B-13
Gear Change Mechanism.....	B-14

Generator.....	C-10
Guard(s).....	F-3
Handlebar.....	E-8
Headlight(s).....	F-4
Ignition Switch.....	F-8
Ignition System.....	C-11
Labels.....	F-10
Meter(s).....	E-12
Muffler(s).....	B-7
Oil Pump.....	C-9
Owner's Tools.....	F-9
Piston(s).....	B-5
Radiator.....	C-13
Rear Brake.....	E-7
Rear Fender(s).....	D-10
Rear Hub.....	D-14
Rear Master Cylinder.....	E-6
Seat.....	E-11
Shift Fork(s).....	B-13
Shock Absorber.....	D-7
Side Covers.....	E-14
Stand(s).....	D-11
Starter Motor.....	C-12
Suspension.....	D-7
Swingarm.....	D-6
Taillight(s).....	F-5
Tensioner.....	B-9
Throttle.....	C-6
Tires.....	D-12
Transmission.....	B-12
Turn Signals.....	F-6
Valve(s).....	B-8
Water Pipe.....	C-14

This catalog covers:

'13 EX300ADF

GRID NO.

E-16

This grid covers:

Part Name Index

Accessory(Engine Guard).....	G-4
Accessory(Single Seat Cover).....	G-3
Air Cleaner.....	B-6
Brake Pedal.....	E-3
Cables.....	E-13
Camshaft(s).....	B-9
Chain Cover.....	E-14
Chassis Electrical Equipment.....	F-7
Clutch.....	B-11
Cowling.....	F-13
Cowling Lowers.....	F-14
Crankcase.....	C-3
Crankcase Bolt Pattern.....	C-4
Crankshaft.....	B-10
Cylinder.....	B-5
Cylinder Head.....	B-3
Cylinder Head Cover.....	B-4
Decals(Green).....	F-12
Decals(White).....	F-11
Engine Cover(s).....	C-5
Engine Mount.....	D-4
Footrests.....	D-8
Frame.....	D-3
Frame Fittings.....	D-5
Front Brake.....	E-5
Front Fender(s).....	D-9
Front Fork.....	E-9
Front Hub.....	D-13
Front Master Cylinder.....	E-4
Fuel Injection.....	C-8
Fuel Pump.....	C-7
Fuel Tank.....	E-10
Gear Change Drum.....	B-13
Gear Change Mechanism.....	B-14

Generator.....	C-10
Guard(s).....	F-3
Handlebar.....	E-8
Headlight(s).....	F-4
Ignition Switch.....	F-8
Ignition System.....	C-11
Labels.....	F-10
Meter(s).....	E-12
Muffler(s).....	B-7
Oil Pump.....	C-9
Owner's Tools.....	F-9
Piston(s).....	B-5
Radiator.....	C-13
Rear Brake.....	E-7
Rear Fender(s).....	D-10
Rear Hub.....	D-14
Rear Master Cylinder.....	E-6
Seat.....	E-11
Shift Fork(s).....	B-13
Shock Absorber.....	D-7
Side Covers.....	E-14
Stand(s).....	D-11
Starter Motor.....	C-12
Suspension.....	D-7
Swingarm.....	D-6
Taillight(s).....	F-5
Tensioner.....	B-9
Throttle.....	C-6
Tires.....	D-12
Transmission.....	B-12
Turn Signals.....	F-6
Valve(s).....	B-8
Water Pipe.....	C-14

This catalog covers:

'13 EX300ADF

GRID NO.

F-16

This grid covers:

Part Name Index

Accessory(Engine Guard).....	G-4
Accessory(Single Seat Cover).....	G-3
Air Cleaner.....	B-6
Brake Pedal.....	E-3
Cables.....	E-13
Camshaft(s).....	B-9
Chain Cover.....	E-14
Chassis Electrical Equipment.....	F-7
Clutch.....	B-11
Cowling.....	F-13
Cowling Lowers.....	F-14
Crankcase.....	C-3
Crankcase Bolt Pattern.....	C-4
Crankshaft.....	B-10
Cylinder.....	B-5
Cylinder Head.....	B-3
Cylinder Head Cover.....	B-4
Decals(Green).....	F-12
Decals(White).....	F-11
Engine Cover(s).....	C-5
Engine Mount.....	D-4
Footrests.....	D-8
Frame.....	D-3
Frame Fittings.....	D-5
Front Brake.....	E-5
Front Fender(s).....	D-9
Front Fork.....	E-9
Front Hub.....	D-13
Front Master Cylinder.....	E-4
Fuel Injection.....	C-8
Fuel Pump.....	C-7
Fuel Tank.....	E-10
Gear Change Drum.....	B-13
Gear Change Mechanism.....	B-14

Generator.....	C-10
Guard(s).....	F-3
Handlebar.....	E-8
Headlight(s).....	F-4
Ignition Switch.....	F-8
Ignition System.....	C-11
Labels.....	F-10
Meter(s).....	E-12
Muffler(s).....	B-7
Oil Pump.....	C-9
Owner's Tools.....	F-9
Piston(s).....	B-5
Radiator.....	C-13
Rear Brake.....	E-7
Rear Fender(s).....	D-10
Rear Hub.....	D-14
Rear Master Cylinder.....	E-6
Seat.....	E-11
Shift Fork(s).....	B-13
Shock Absorber.....	D-7
Side Covers.....	E-14
Stand(s).....	D-11
Starter Motor.....	C-12
Suspension.....	D-7
Swingarm.....	D-6
Taillight(s).....	F-5
Tensioner.....	B-9
Throttle.....	C-6
Tires.....	D-12
Transmission.....	B-12
Turn Signals.....	F-6
Valve(s).....	B-8
Water Pipe.....	C-14

This catalog covers:

'13 EX300ADF

GRID NO.

G-16

This grid covers:

Part Name Index

Accessory(Engine Guard).....	G-4
Accessory(Single Seat Cover).....	G-3
Air Cleaner.....	B-6
Brake Pedal.....	E-3
Cables.....	E-13
Camshaft(s).....	B-9
Chain Cover.....	E-14
Chassis Electrical Equipment.....	F-7
Clutch.....	B-11
Cowling.....	F-13
Cowling Lowers.....	F-14
Crankcase.....	C-3
Crankcase Bolt Pattern.....	C-4
Crankshaft.....	B-10
Cylinder.....	B-5
Cylinder Head.....	B-3
Cylinder Head Cover.....	B-4
Decals(Green).....	F-12
Decals(White).....	F-11
Engine Cover(s).....	C-5
Engine Mount.....	D-4
Footrests.....	D-8
Frame.....	D-3
Frame Fittings.....	D-5
Front Brake.....	E-5
Front Fender(s).....	D-9
Front Fork.....	E-9
Front Hub.....	D-13
Front Master Cylinder.....	E-4
Fuel Injection.....	C-8
Fuel Pump.....	C-7
Fuel Tank.....	E-10
Gear Change Drum.....	B-13
Gear Change Mechanism.....	B-14

Generator.....	C-10
Guard(s).....	F-3
Handlebar.....	E-8
Headlight(s).....	F-4
Ignition Switch.....	F-8
Ignition System.....	C-11
Labels.....	F-10
Meter(s).....	E-12
Muffler(s).....	B-7
Oil Pump.....	C-9
Owner's Tools.....	F-9
Piston(s).....	B-5
Radiator.....	C-13
Rear Brake.....	E-7
Rear Fender(s).....	D-10
Rear Hub.....	D-14
Rear Master Cylinder.....	E-6
Seat.....	E-11
Shift Fork(s).....	B-13
Shock Absorber.....	D-7
Side Covers.....	E-14
Stand(s).....	D-11
Starter Motor.....	C-12
Suspension.....	D-7
Swingarm.....	D-6
Taillight(s).....	F-5
Tensioner.....	B-9
Throttle.....	C-6
Tires.....	D-12
Transmission.....	B-12
Turn Signals.....	F-6
Valve(s).....	B-8
Water Pipe.....	C-14